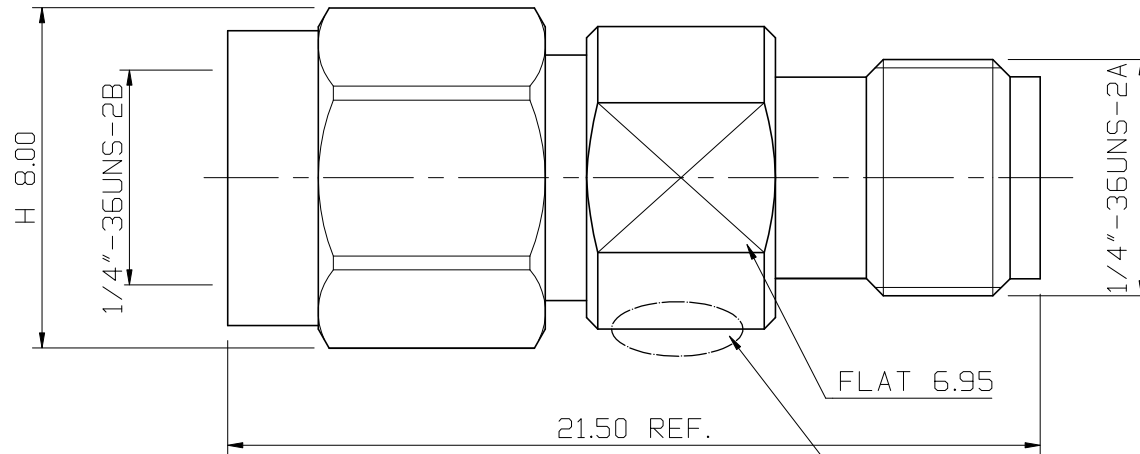


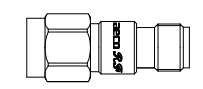
No.	DATE	DESCRIPTION	REV	REMARK : RoHS REQUIREMENT APPLIED (符合RoHS)	DATE	DRAWING NO.
-----	------	-------------	-----	---	------	-------------



LOGO : LASER
 THE ACTUAL DIRECTION AND POSITION OF THE LOG, WHICH WILL NOT ALIGN WITH TOP AREA SAME AS THE DRAWING IMAGE.



Electrical Specification:
 1.Impedance : 50 ohm
 2.Frequency Range : DC ~ 40 GHz
 3.VSWR : 1.20 max.



S 1 : 1

7	shell	2	SUS303	passivated	DIMENSIONS ARE IN MILLIMETERS UNLESS OTHERWISE SPECIFIED TOLERANCES (一般公差) 0.5~6 = ±0.2 >6~30 = ±0.4 >30~120 = ±0.6 >120~315 = ±1 >315~1000 = ±1.6 ANGLES(角度) = ±5°	CHECKED	雅鈦企業有限公司 Aec Connectors Co., Ltd.	
6	gasket	2	silicone	red		DRAWN <i>Jordan</i>		TITLE 2.92mm Male TO Female ADAPTOR
5	c ring	2	steel	none				DATE 2022. 02. 09
4	contact pin	1	beryllium copper	gold (3u")		SCALE 5 : 1 UNIT MM	FILE NO. DRAWING\RFADTPTOR\ADT-3019S-KS15IP-KS25IP	
3	body b	1	SUS303	passivated				
2	insulator	1	PEI	nature				
1	body a	1	SUS303	passivated				
NO.	Description	Unit	Materials	Finish	Drawing No.			