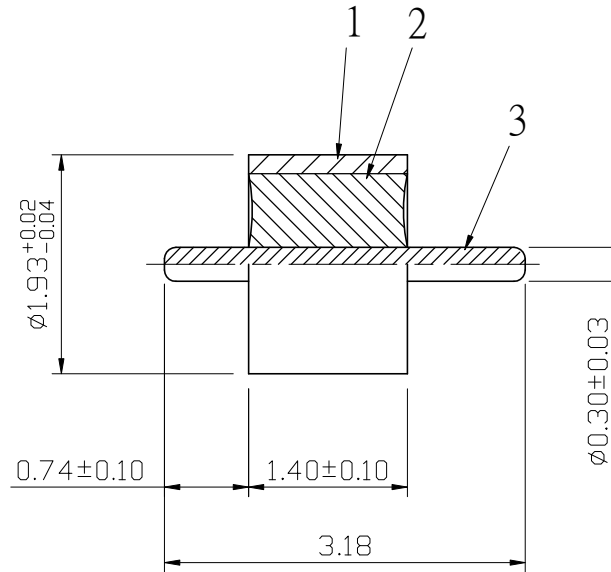


No.	DATE	DESCRIPTION	REV	REMARK : RoHS REQUIREMENT APPLIED (符合RoHS)	DATE	DRAWING NO.
-----	------	-------------	-----	---	------	-------------




Electrical Specification :
 1.Impedance : 50 ohm
 2.Frequency Range : DC ~ 40 GHz

Hermeticity : 1x10⁻⁸ cc/sec @ 1 stm Helium
 Operation Temperature : -55°C ~ +300°C



S 1 : 1

-						DIMENSIONS ARE IN MILLIMETERS UNLESS OTHERWISE PECIFIED TOLERANCES (一般公差) 0.5~6 = ±0.2 >6~30 = ±0.4 >30~120 = ±0.6 >120~315 = ±1 >315~1000 = ±1.6 ANGLES(角度) = ±5°	CHECKED	 雅鈦企業有限公司 Aec Connectors Co., Ltd.					
-					DRAWN				TITLE				
3	contact pin	1	kovar	gold			<i>Jordan</i>	GLASS BEAD					
2	insulator	1	glass	nature				DRAWING NO.					
1	body	1	kovar	gold			GB-1001GOG-SO0015						
NO.	Description	Unit	Materials	Finish	Drawing No.	SCALE	15 : 1	UNIT	MM	DATE	2026. 02. 06	FILE NO.	DRAWING\RF\GB\GB-1001GOG-SO0015