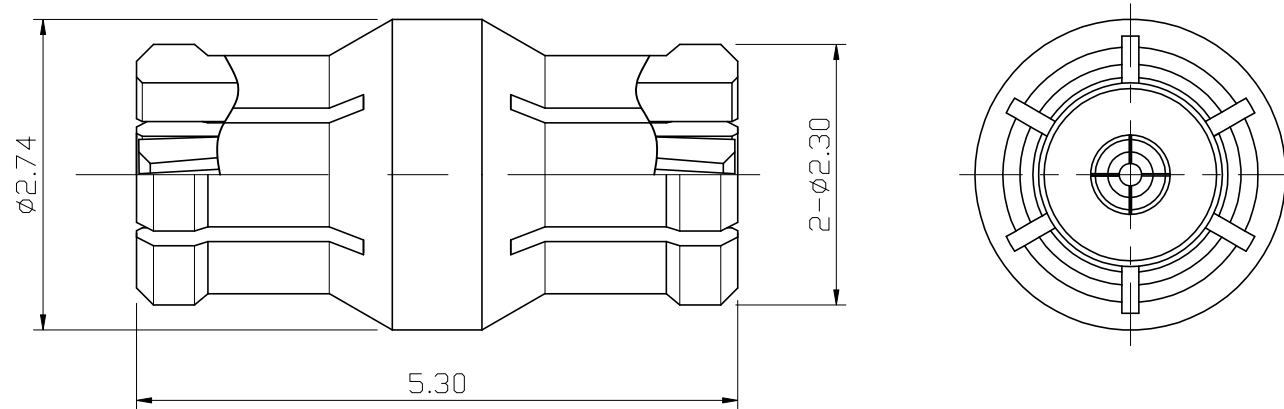


No.	DATE	DESCRIPTION	REV	REMARK : RoHS REQUIREMENT APPLIED (符合RoHS)	DATE	DRAWING NO.
-----	------	-------------	-----	---	------	-------------




Electrical Specification:

1. Impedance : 50 ohm
2. Frequency Range : DC ~ 65 GHz
3. VSWR : 1.3:1 max. @DC ~ 40 GHz
1.4:1 max. @40~ 65 GHz



S 1 : 1

-						DIMENSIONS ARE IN MILLIMETERS			CHECKED	 雅鈦企業有限公司 Aec Connectors Co., Ltd.	
-											UNLESS OTHERWISE SPECIFIED TOLERANCES (一般公差)
-						0.5~6 = ±0.2					
-						>6~30 = ±0.4					
-	contact pin	1	beryllium copper	gold (3u")		>30~120 = ±0.6			DRAWN		TITLE
-	insulator	2	PTFE	white		>120~315 = ±1			Owen	SMPM Female TO SMPM Female ADAPTOR	
-	body	1	beryllium copper	gold		>315~1000 = ±1.6			DATE	DRAWING NO.	
NO.	Description	Unit	Materials	Finish	Drawing No.	SCALE	15 : 1	UNIT	MM	2025. 11. 19	ADT-3042S-MP25TG-MP25TG
											FILE NO. DRAWING RFA DT ADT-3042S-MP25TG-MP25TG