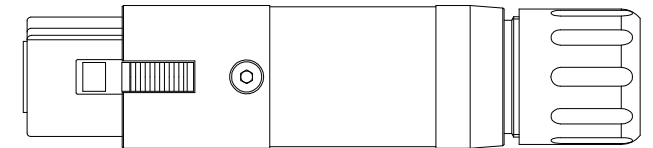
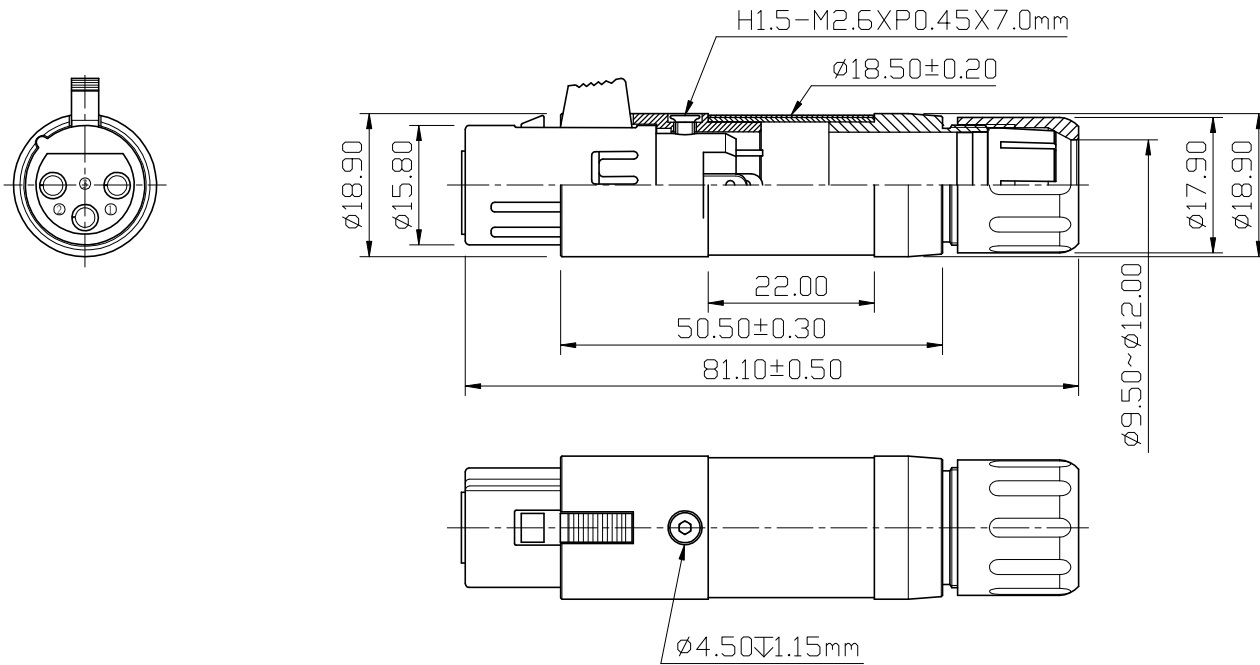


No.	DATE	DESCRIPTION	REV
△	2016. 01. 21	Drawing revised (圖面修正)	A
-	2026. 05. 19	Drawing revised (圖面修正)	B



S 1 : 1

-	screw	1	bronze	gold	
-	sleeve	1	brass	gold	
-	clip	1	plastic	black	
-	sleeve	1	brass	gold	
-	tube	1	brass	nature	
-	shell	1	black carbon fiber	nature	
-	head lock	1	brass	gold	
-	spring	1	stainless steel	nature	
-	solder tab	1	brass	nickel	
-	button	1	zinc alloy	gold	
-	sleeve	1	brass	gold	
-	contact pin	3	phosphor bronze	gold	
-	body	1	PBT 30%fiber	black	
NO.	Description	Unit	Materials	Finish	Drawing No.

DIMENSIONS ARE IN MILLIMETERS
UNLESS OTHERWISE SPECIFIED
TOLERANCES
(一般公差)
0.5-6 = ±0.2
>6-30 = ±0.4
>30-120 = ±0.6
>120-315 = ±1
>315-1000 = ±1.6
ANGLES(角度) = ±5°

CHECKED

DRAWN

Andy

DATE

2012. 08. 10



雅鈦企業有限公司
Aec Connectors Co., Ltd.

TITLE

MICROPHONE CONNECTOR

DRAWING NO.

MI-4003FBKFG-3G(PB)-A

FILE NO.

DRAWING\AUDIO\MI-4003FBKFG-3G(PB)-A

SCALE

1 : 1

UNIT

MM