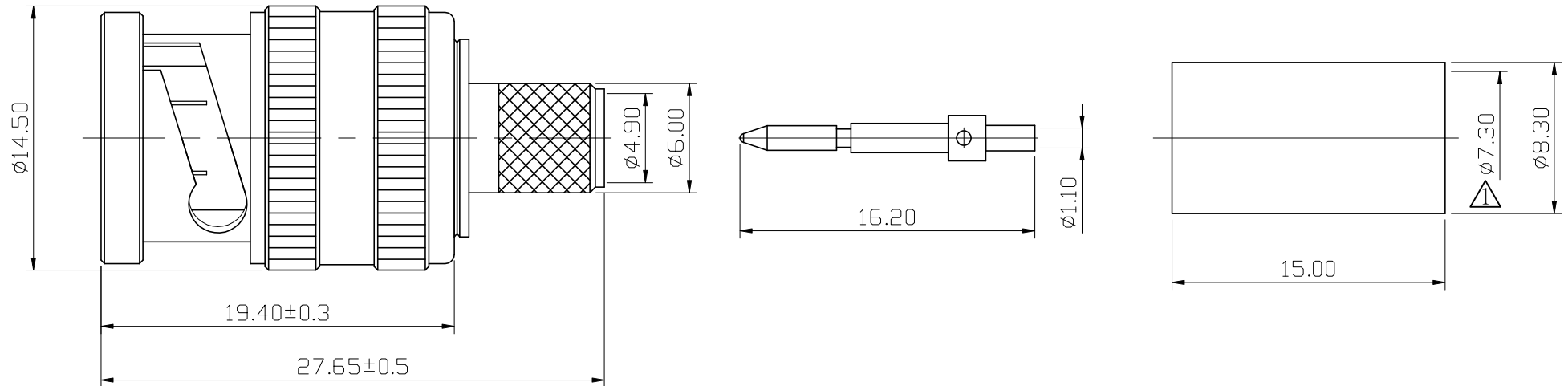


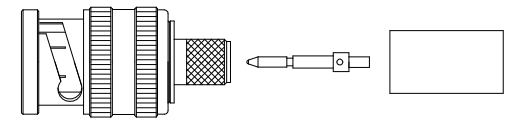
No.	DATE	DESCRIPTION	REV
△	2026.06.05	Drawing updated 圖面更新	A

REMARK : RoHS REQUIREMENT APPLIED
(符合RoHS)



Electricals:

1. Impedance : 75 Ohms
2. Frequency Range : 0~12 GHz
3. Return Loss : -15dB min @5~1485 MHz
-10dB min @1485~3000 MHz
-7dB min @3000~6000 MHz
-4dB min @6000~12000 MHz



S 1 : 1

10	ferrule	1	brass	nickel	
9	contact pin	1	brass	gold	
8	washer	1	brass	nickel	
7	spring	1	sus 304	none	
6	c-ring	1	SK-5	nickel	
5	gasket	1	rubber	red	
4	washer	1	brass	nickel	
3	insulator	1	PTFE	none	
2	body	1	brass	nickel	
1	shell	1	brass	nickel	
NO.	Description	Unit	Materials	Finish	Drawing No.

DIMENSIONS ARE IN
MILLIMETERS

UNLESS OTHERWISE SPECIFIED
TOLERANCES
(一般公差)
0.5~6 = ±0.2
>6~30 = ±0.4
>30~120 = ±0.6
>120~315 = ±1
>315~1000 = ±1.6
ANGLES(角度) = ±5°

CHECKED

DRAWN

Andy

DATE

2019.02.12



雅鈦企業有限公司
Aec Connectors Co., Ltd.

TITLE BNC STRAIGHT PLUG CRIMP FOR
BELDEN 4694R CABLE, 75 Ohm

DRAWING NO.
BC-2002NTG-SC7417

FILE NO. DRAWING\RF\BC\BC-2002NTG-SC7417

SCALE 3 : 1 UNIT MM