



*Live fully independent
with the*

ATLAS 860

Curved stairlift

Stay living independently in your home. Your stairs should never be your biggest obstacle while aging in place. Negotiating the stairs shouldn't stop you from doing the things you want to do. By choosing the Atlas 860 curved stair lift, you can continue enjoying your entire home without worry.



Give peace of mind to yourself and others by installing an Infinity in your home. With minimum assistance from others and its made-to-measure rail, the Infinity stair lift will keep you in good hands.

A RAIL DESIGNED AROUND YOUR HOME

The Atlas 860 rail is specifically designed to fit your staircase, no matter the shape.

The durable powder coated rail gives stability and ensures a smooth ride around each corner giving the best ride possible.

COLOR OPTIONS

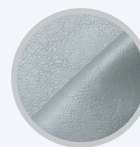
The Atlas 860 has a variety of vinyl seat covers to choose from to match your style and home.



Blue



Brown



Gray



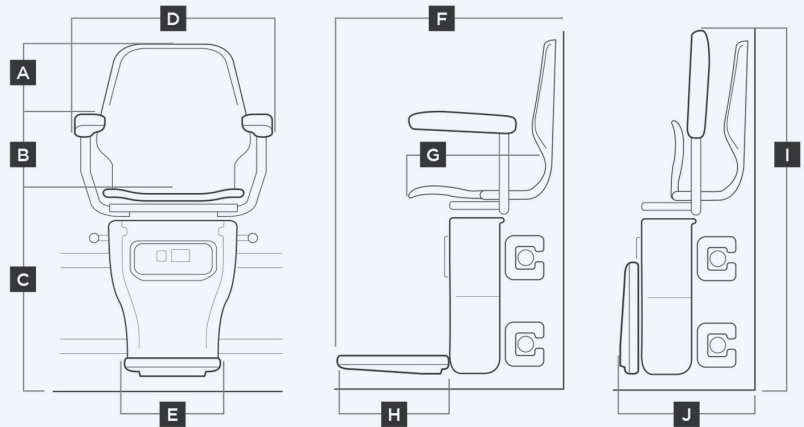
Original



Red

TECHNICAL SPECS

	mm	inch
A Overall Height (from floor)	1058	42
B Height of arms (from floor)	837	33
C Height of seat (from floor)	594	23
D Overall width	607	24
E Width of footrest	300	12
F Overall depth (from wall)	620	25
G Depth of seat (to backrest)	385	15
H Depth of footrest	270	11
I Overall Height (when folded)	1078	43
J Overall Depth (when folded)	407	16



STANDARD FEATURES

The Atlas860 curved stairlift include the following as standard.



Retractable Seatbelt

Just like a car seatbelt, easy to adjust and use, giving the user the best comfort and safety possible whilst operating the stairlift.



Locking Keys

Two keys are included for locking the stairlift in an off position for added safety, preventing unwanted operation.



Remote Controlled

Two remote controls are supplied giving convenient operation. The stairlift can be called up the staircase when it's not in use.



Comfort and Control

The soft start/stop function is enhanced by the complete comfort of the padded seat, backrest and ergonomic controls.

WHY CHOOSE THE ATLAS 860 CURVED STAIRLIFT?

- One of the slimmest rails
- Smooth Start / Stop Function
- Fold Away Design
- Power Swivel
- Removable Seat Covers for Easy Cleaning
- Obstruction Safety Sensors
- Easy Swiveling Seat for Transferring
- Ergonomic Controls