



ATLAS OUTDOOR

Straight Stairlift

SAFETY OUTDOORS

Safety should not be limited to just the inside your home. If you have patio steps, or stairs that are keeping you from enjoying the outdoor spaces of your home, you have come to the right place! Our Atlas Outdoor Stairlift bring you affordable accessibility to all of the outdoor spaces you love!

Equipped with all the same great features as most of our indoor stair lifts, the Atlas Outdoor Stairlift is designed with weatherproof components and a cover for protection in almost any climate.

The waterproof cover protects both the seat and carriage, ensuring that your lift is always clean, dry, and ready to use. The included rubber foot mat will provide extra traction to help prevent falls.

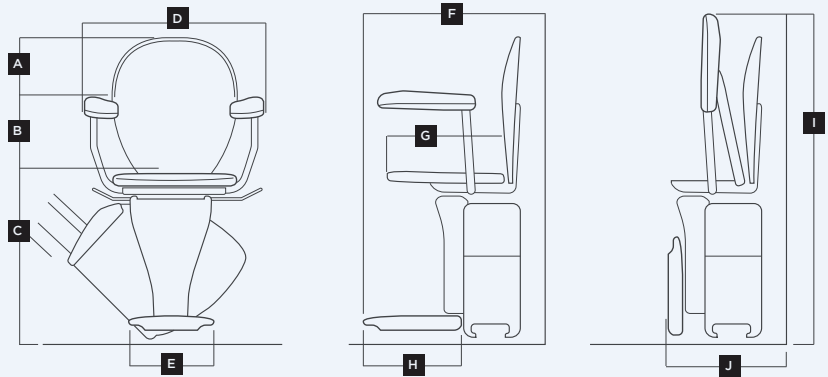
Lastly, all electronic components and controls have been thoroughly insulated and protected so that your stairlift will continue to operate for many years to come.

THE ATLAS OUTDOOR STAIRLIFT IS THE BEST SOLUTION TO ACCESS ALL AREAS YOUR HOME IF YOU HAVE:

- Front porch steps
- Back deck
- Garden areas
- Long driveways
- Detached driveways

SAFETY OUTDOORS

	mm	inch
A Overall Height (from floor)	1058	42
B Height of arms (from floor)	837	33
C Height of seat (from floor)	594	23
D Overall width	607	24
E Width of footrest	300	12
F Overall depth (from wall)	620	25
G Depth of seat (to backrest)	385	15
H Depth of footrest	270	11
I Overall Height (when folded)	1078	43
J Overall depth (when folded)	407	16



STANDARD FEATURES

The Atlas Outdoor stairlift include the following as standard.



Retractable Seatbelt

Just like a car seatbelt, easy to adjust and use, giving the user the best comfort and safety possible whilst operating the stairlift.



Locking Keys

Two keys are included for locking the stair lift in an off position for added safety, preventing unwanted operation.



Remote Controlled

Two remote controls are supplied giving convenient operation. The stair lift can be called up the staircase when it's not in used.



Comfort and Control

The soft start/stop function is enhanced by the complete comfort of the padded seat, backrest and ergonomic controls.



Smart Display

Simple, clean and clear digital display for easily understanding the status of the stair lift.



Weatherproof Materials

Designed with weather-resistant seat materials, a light-weight cover and aluminum rail with a protective layer.