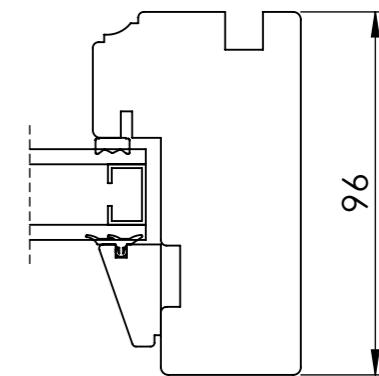
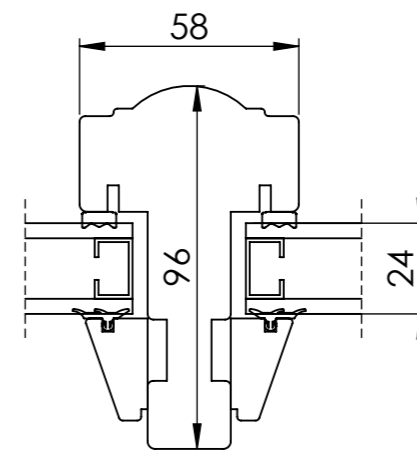
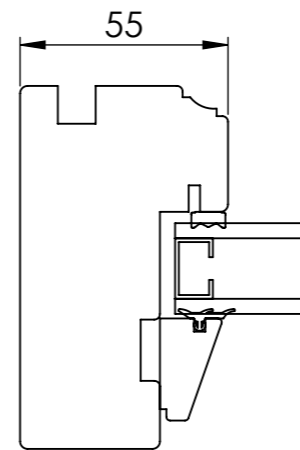
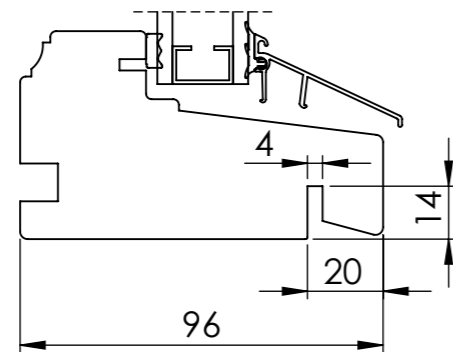
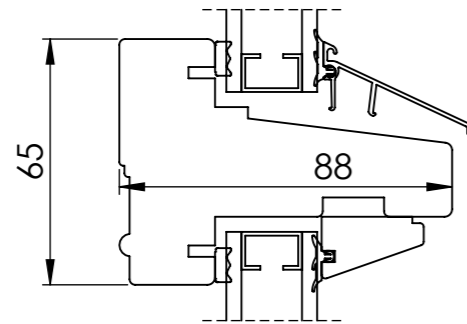
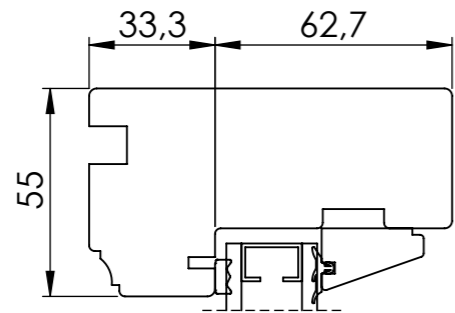


We reserve all rights in this document and in the information contained therein.
 Reproduction, use or disclosure to third parties without express authority is strictly forbidden.
 INWIDO

| Rev. | ECM | Description | Rev. by | Date |
|------|-----|-------------|---------|------|
| | | | | |



| | | | | |
|--|---------------|---------------------------------------|---------------|-----------------|
| Product Category | | Product Platform | | |
| Window Outward | | Frekhaug - Window | | |
| Product Type | | | | |
| Fixed | | | | |
| Designed by | Designed date | Approved by | Approved date | Processing code |
| MJ | 2025-11-04 | | | |
| Material | | Tolerances unless otherwise specified | | |
| LYSSAND FREKHAUG | | Tol medium | | |
| Frekhaug 96, 2 - lag | | View orientation | | |
| Snittegning fastkarm med post og losholt | | E | | |
| | | Scale | | |
| | | 1:2 | | |
| | | Revision | | |
| | | (A) | | |
| | | Article Number | | |
| | | FR96-Window-8 | | |
| | | Drawing Number | | |
| | | FR96-Window-8 | | |