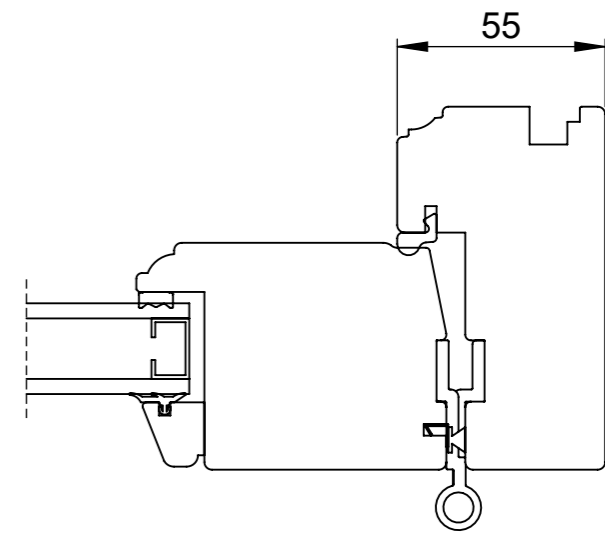
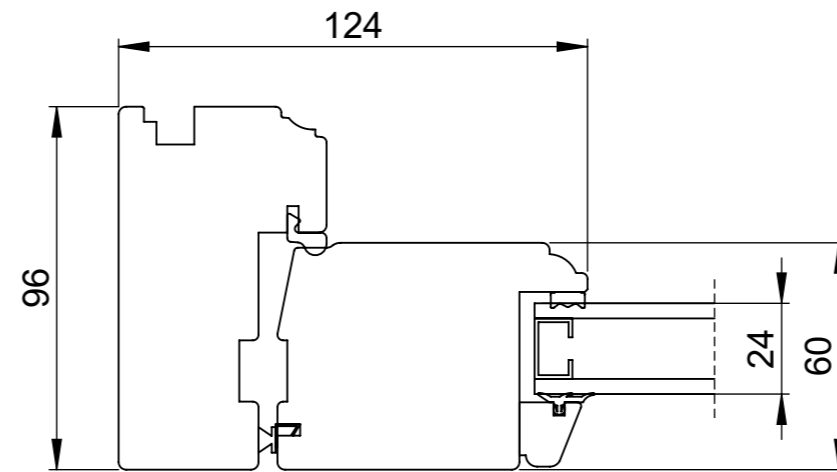
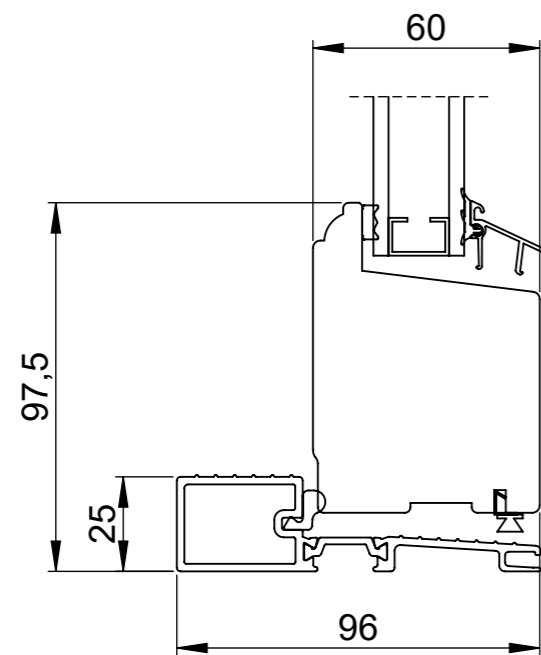
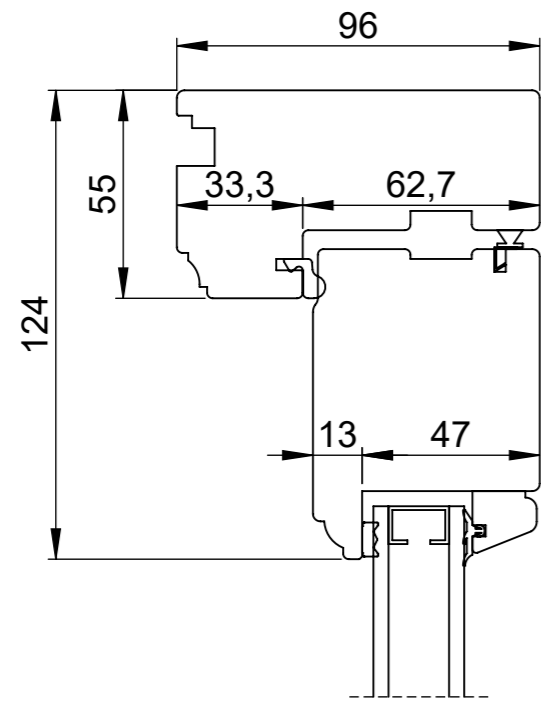


We reserve all rights in this document and in the information contained therein. Reproduction, use or disclosure to third parties without express authority is strictly forbidden.
INWIDO



Rev.	ECM	Description	Rev. by	Date

Product Category		Product Platform		
Structural Elements				
Product Type				
Frame;Sash				
Designed by	Designed date	Approved by	Approved date	Processing code
MJ	2025-11-06			
LYSSAND FREKHAUC		Tolrances unless otherwise specified Tol medium		
Lyssand 96, 2 - lag Snittegning balkongdør med helt glass		Article Number LY96-Door-9		View orientation Scale 1:2
				Revision (A)