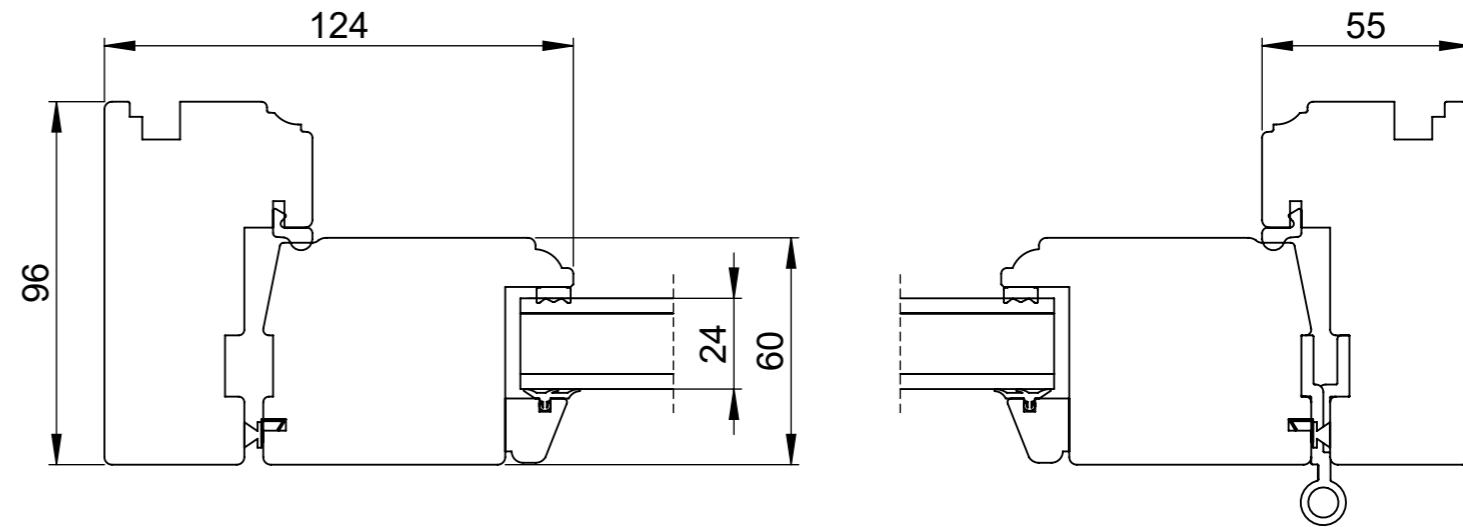
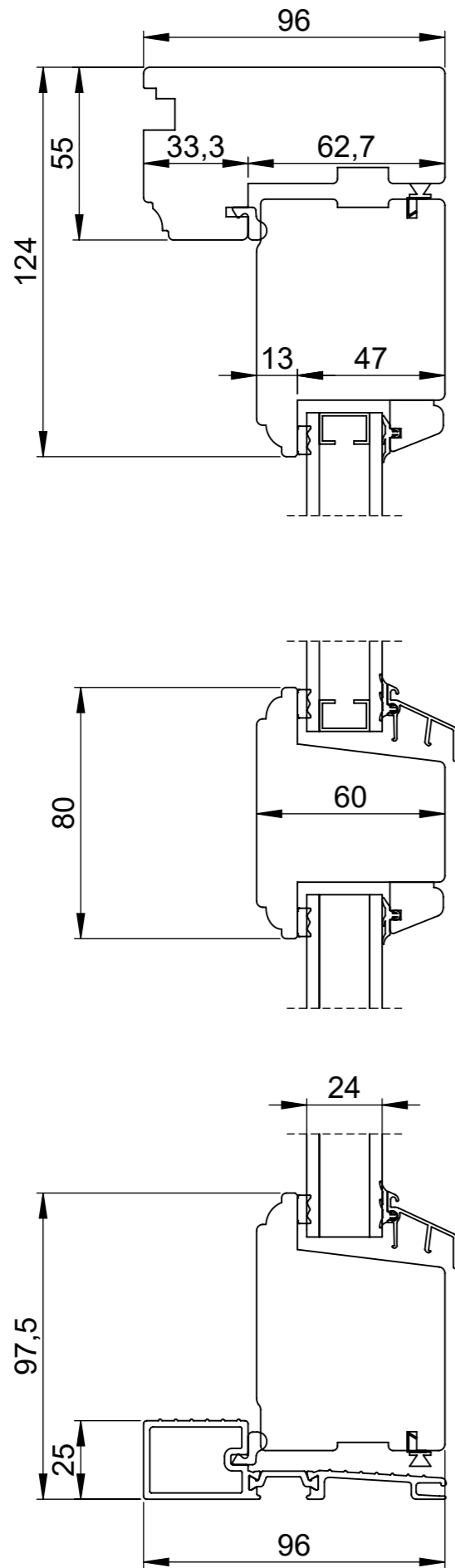


We reserve all rights in this document and in the information contained therein.
 Reproduction, use or disclosure to third parties without express authority is strictly forbidden.
 INWIDO



Rev.	ECM	Description	Rev. by	Date

Product Category		Product Platform		
Door		Frekhaug - Door		
Product Type				
Entrance - Outward				
Designed by	Designed date	Approved by	Approved date	Processing code
MJ	2025-11-12			
Material		Tolerances unless otherwise specified		
LYSSAND FREKHAUG		Tol medium		
Frekhaug 96, 2 - lag		View orientation		
Snittegning balkongdør med brystning		E		
		Article Number		
		Scale		
		1:2		
		Drawing Number		
		Revision		
		(A)		
		FR96-Door-10		