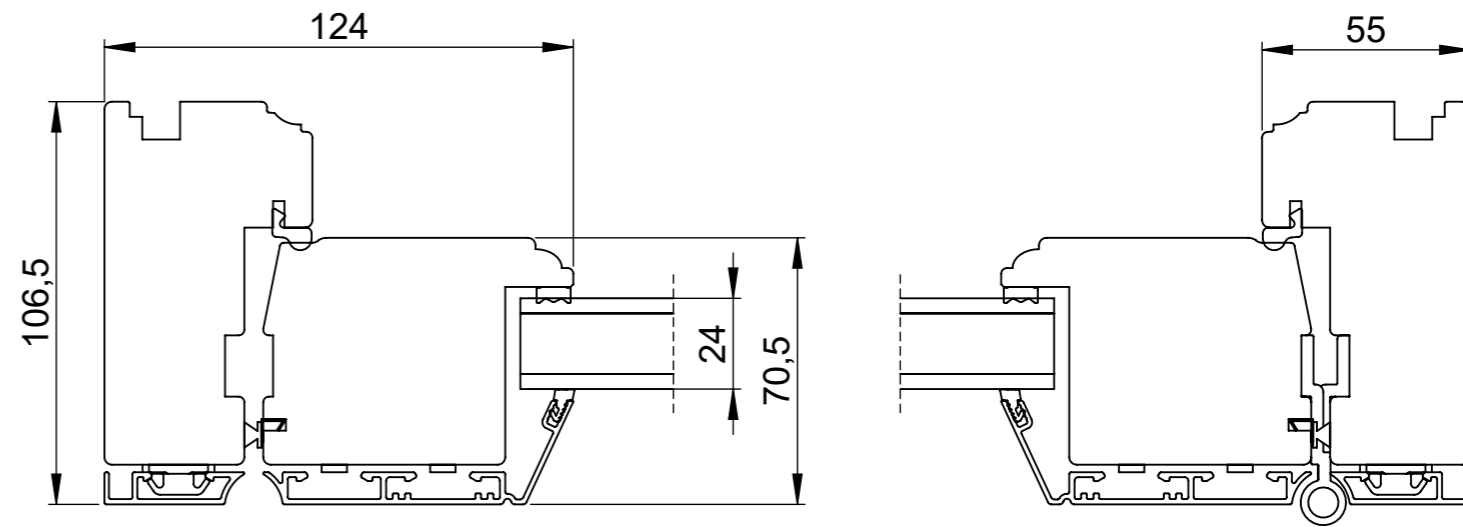
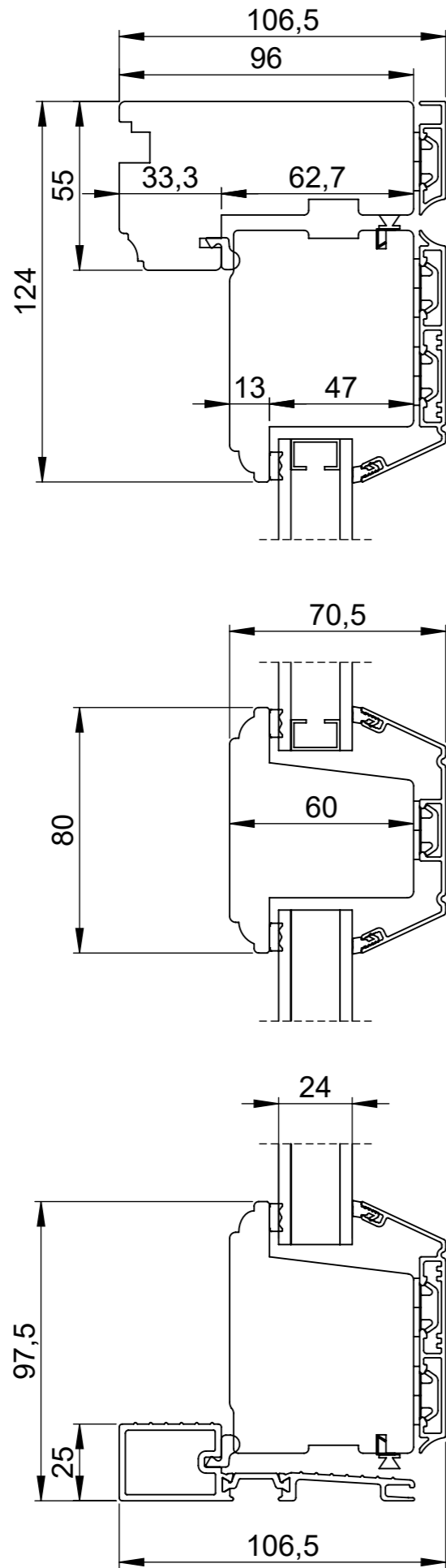


We reserve all rights in this document and in the information contained therein.  
 Reproduction, use or disclosure to third parties without express authority is strictly forbidden.  
 INWIDO



Rev.	ECM	Description	Rev. by	Date

Product Category		Product Platform		
Door		Frekhaug - Door		
Product Type				
Entrance - Outward				
Designed by	Designed date	Approved by	Approved date	Processing code
MJ	2025-11-12			
<b>LYSSAND</b> <b>FREKHAUG</b>		Frekhaug 96, 2 - lag med aluminium Snittegning balkongdør med brystning		
Tolerances unless otherwise specified		View orientation		
Tol medium				
Article Number		Scale		
		1:2		
Drawing Number		Revision		
FR96-Alu-Door-10		(A)		