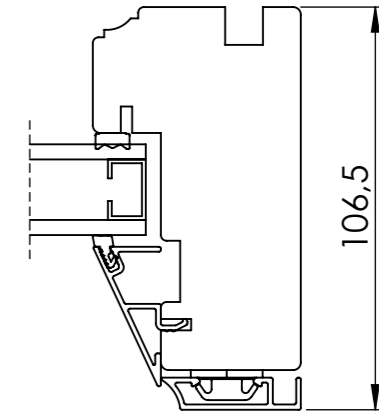
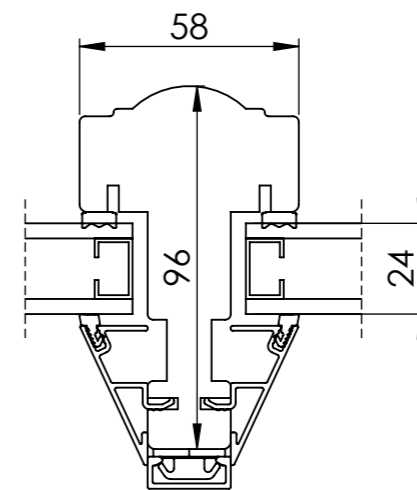
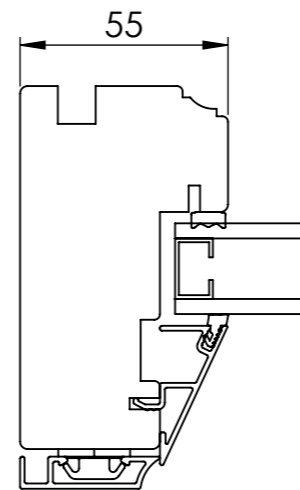
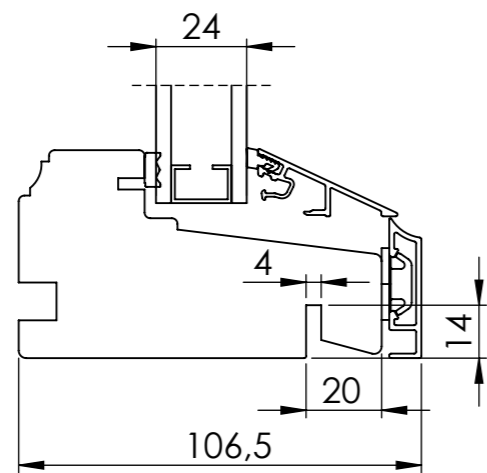
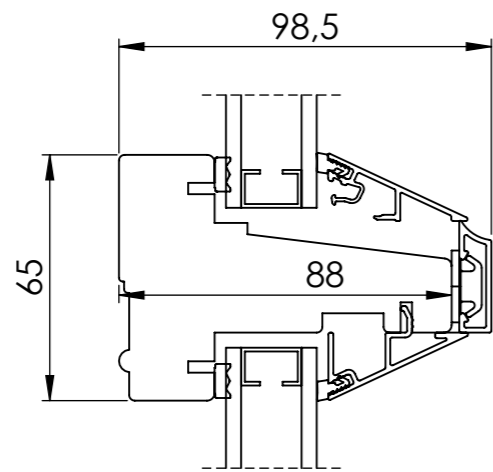
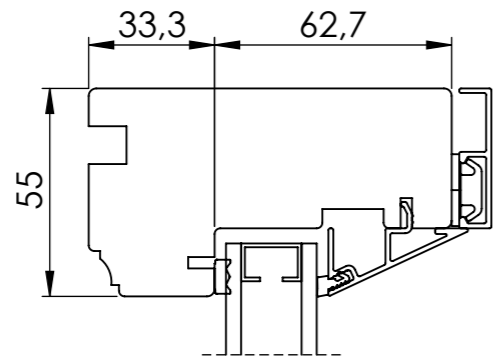


We reserve all rights in this document and in the information contained therein. Reproduction, use or disclosure to third parties without express authority is strictly forbidden. INWIDO

Rev.	ECM	Description	Rev. by	Date



Product Category		Product Platform		
Window Outward		Frekhaug - Window		
Product Type				
Fixed				
Designed by	Designed date	Approved by	Approved date	Processing code
MJ	2025-11-03			
Material		Tolerances unless otherwise specified		
LYSSAND FREKHAUG		Tol medium		
Frekhaug 96, 2 - lag med aluminium		View orientation		
Snittegning fastkarm med post og losholt		E		
		Scale		
		1:2		
		Revision		
		(A)		