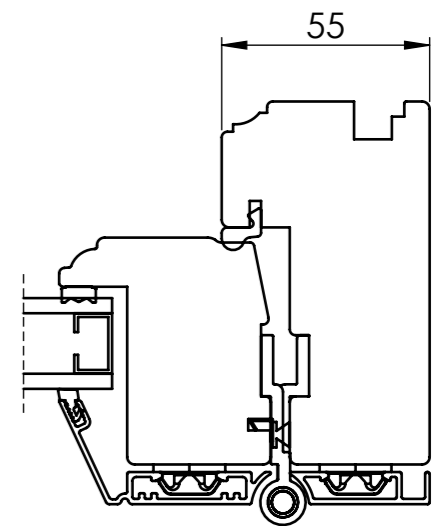
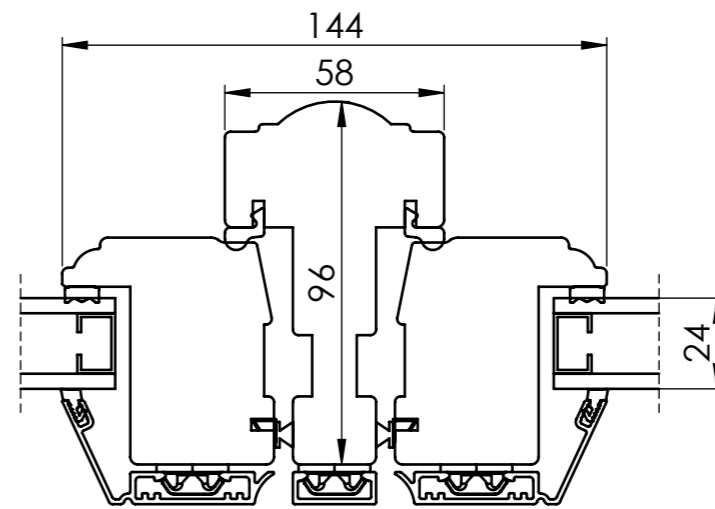
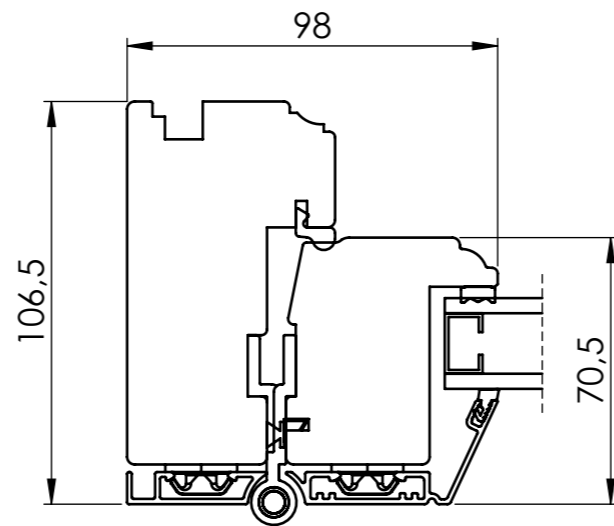
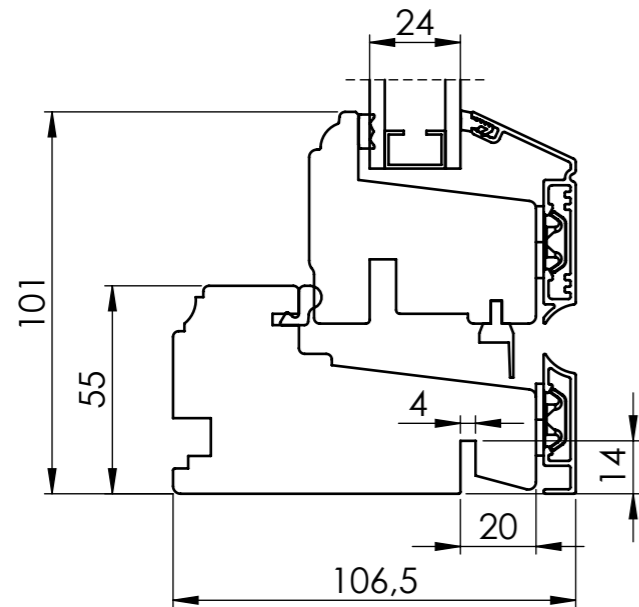
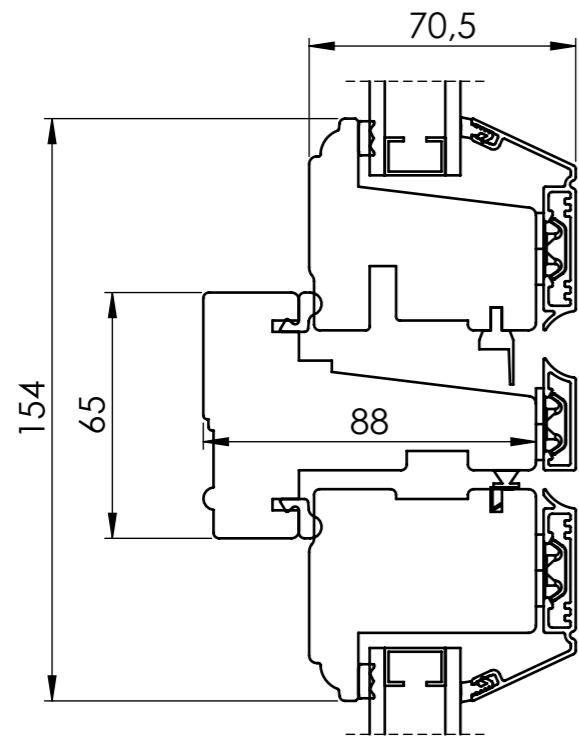
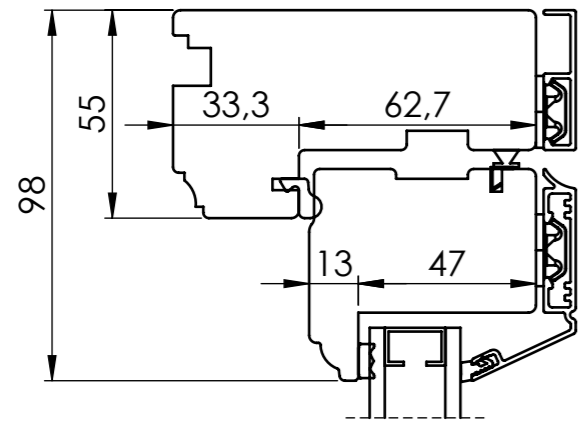


We reserve all rights in this document and in the information contained therein.  
 Reproduction, use or disclosure to third parties without express authority is strictly forbidden.  
 INWIDO



Rev.	ECM	Description	Rev. by	Date

Product Category		Product Platform		
Window Outward		Frekhaug - Window		
Product Type				
Side Hung				
Designed by	Designed date	Approved by	Approved date	Processing code
MJ	2025-11-05			
Material		Tolerances unless otherwise specified		
LYSSAND FREKHAUG		Tol medium		
Article Number		View orientation		
FR96-Window-7		E		
Drawing Number		Scale		
FR96-Window-7		1:2		
Revision		(A)		

NOT FOR PRODUCTION