

Ville ^{AV46}

Anderssen & Voll

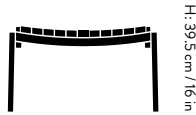
2025



Ville ^{AV46}

Anderssen & Voll

2025



W: 59.1 cm / 23 in
D: 33.4 cm / 13 in

Product description

Outdoor footstool

Environment

Outdoor

Material

Powder-coated steel and polyester straps.
This product has not been treated with any biocides.

Production process

The metal frame is cut, shaped, welded being powder-coated. The webbing of the footstool is webbed by hand and cut into shape with a hot knife to avoid fraying.

Dimensions

W: 59.1 cm / 23 in
H: 39.5 cm / 16 in
D: 33.4 cm / 13 in

Weight

5.8 kg

Strength, durability and safety testing

EN Level 2 - Seating

Gliders

Plastic gliders as standard

Stacking quantity

5

Impact

- Designed for disassembly, making it easier to repair, renovate, pass on, and responsibly recycle at end of life.

Manufacturer

Produced in PRC by Nine United Limited

Cleaning Instructions

Please see our [Maintenance & Care instructions here](#)

→ Stock items

Warm black, Bronze green



→ Warm Black



→ Bronze Green

Ville AV46

Anderssen & Voll

2025



H: 2 cm / 0.8 in

W: 59 cm / 23 in
D: 29 cm / 11 in

Product description

Outdoor footstool seat pad

Environment

Outdoor

Material

Water repellent and stain proof canvas made from 50% recycled acrylic, 47% acrylic, 3% polyester.

Production process

Fast drying foam and wadding is cut to size, then put into the textile cover.

Dimensions

H: 2 cm / 0.8 in
W: 59 cm / 23 in
D: 29 cm / 11 in

Weight

0.2 kg

Gliders

Plastic gliders

Impact

- Made with 50% repurposed fibres sourced from production offcuts.
- Resistant against water, stains, UV damage and mould, prolonging its lifespan.
- Removable cover.

Manufacturer

Produced in PRC by Nine United Limited

Cleaning Instructions

[Please see our Maintenance & Care instructions here](#)

→ Stock items

Heritage Papyrus, Heritage Char



→ Heritage Papyrus



→ Heritage Char

Recycling & Disassembly

Ville ^{AV46}

RECYLING

The Ville footstool is built to last, and we hope that your Ville will serve you for many years. The stool is based on a metal frame and the seating is covered with straps, which can be easily separated. All metal and fabric parts can be separated and delivered to a suitable recycling station.

SPARE PARTS

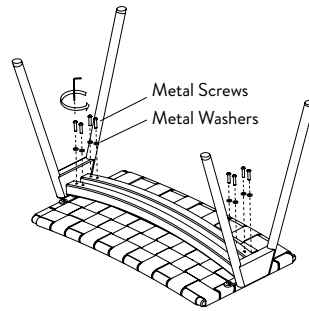
To purchase spare parts for your Ville footstool, please write to our sales support team at with your query.

5 YEAR WARRANTY

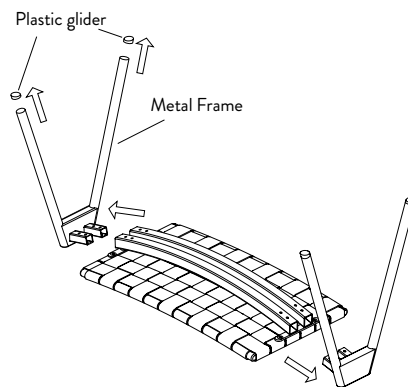
&Tradition provides a 5-year warranty with every Ville footstool, which covers faults which were present at the time of purchase, or which have occurred as a result of a manufacturing defect. The warranty is valid from the date stated on the original invoice.

DISASSEMBLY

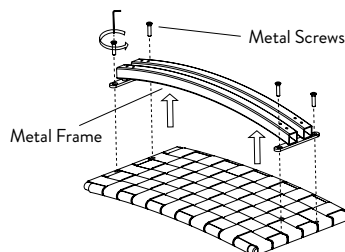
1. To remove the legs from the frame, remove the screws located underneath the seat.



2. Slide the legs off the frame and remove the plastic gliders.



3. Remove the screws connecting the frame to the seating. Separate both parts.



4. Cut the fabric straps open with a putty knife to separate them from the frame.

