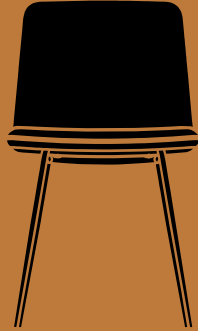


Rely <sup>HW6-HW10</sup>  
Hee Welling  
2020





HW6-HW10

HW11-HW20

HW21-HW



HW26-HW27

HW28-HW32

# Rely Hee Welling

---

## RECYCLING

The Rely is built to last, and we hope that your Rely will serve you for many years. Its shell is made from 100% recycled material, and can be easily separated from its base. All metal and plastic parts can be separated and delivered to a suitable recycling station.

## SPARE PARTS

To purchase spare parts for your Rely chair, please write to our sales support team at [with](#) your query.

## 5 YEAR WARRANTY

&Tradition provides a 5-year warranty with every Rely chair, which covers faults which were present at the time of purchase, or which have occurred as a result of a manufacturing defect. The warranty is valid from the date stated on the original invoice.





HW

# Rely<sup>HW6</sup> Hee Welling

**Product category**  
Chair w. plastic shell

**Environment**  
Indoor

**Production process**  
Shell made from 100% recycled polypropylene with 15% fiber glass. Tube base is made from steel tubes in a powder coated or chrome finish.

**Material**  
Polypropylene, glass fiber, steel tube base.  
Seat pad available upon request.  
This product has not been treated with any biocides.

**Base finishes**  
Chrome, Bronzed, Black

**Shell colours**  
Black, White, Red Brown, Light Blue, Beige Sand, Stone Grey

**Certifications**



**Strength, durability and safety testing**  
The chair is tested for strength, durability and safety according to: – EN Level 2 – Extreme use.

**Related products**



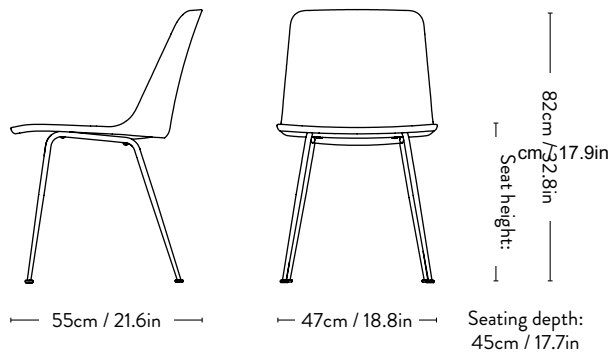
HW7-HW10 HW11-HW20



HW21-HW25 HW28-HW



**Dimensions**





HW

# Rely<sup>HW6</sup> Hee Welling

## Packaging dimensions

H: 84cm /33.6in

W: 51cm/20.4in

D: 60cm/24in

## Weight

Product: 5.2kg / Incl. packaging: 8.3kg

## Gliders

Plastic gliders installed as standard. Felt gliders available upon request.

## Manufacturer

Produced in Poland by Trio Line Polska Sp. z.o.o.

## Cleaning Instructions

Please click [here](#) to download our Material Care & Cleaning Instructions.

## Base finishes



Chrome



Bronzed



Black

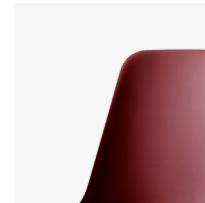
## Shell colours



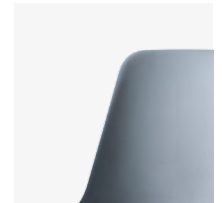
Black



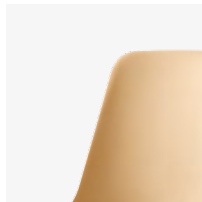
White



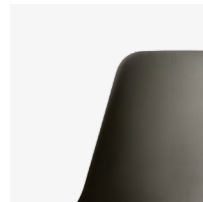
Red Brown



Light Blue



Beige Sand



Stone Grey

## Seat pad



\* COM must be approved by &Tradition to ensure suitability for upholstery.



HW

# Rely<sup>HW7</sup> Hee Welling

## Product category

Chair w. plastic shell & seat cushion

## Environment

Indoor

## Production process

Shell made from 100% recycled polypropylene with 15% fiber glass. Upholstered seats are made with a veneer plate with 30mm foam. Tube base is made from steel tubes in a powder coated or chrome finish.

## Material

Polypropylene, glass fiber, foam, upholstery, steel tube base.

This product has not been treated with any biocides.

## Base finishes

Chrome, Bronzed, Black

## Shell colours

Black, White, Red Brown, Light Blue, Beige Sand, Stone Grey

## Certifications

FSC Mix (C154398): Seat cushion



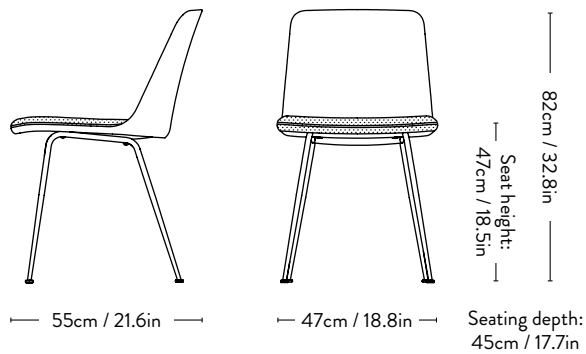
## Strength, durability and safety testing

The chair is tested for strength, durability and safety according to: – EN Level 2 – Extreme use.

## Related products



## Dimensions



&Tradition<sup>®</sup>



HW

# Rely<sup>HW7</sup> Hee Welling

## Packaging dimensions

H: 84cm /33.6in

W: 51cm/20.4in

D: 60cm/24in

## Weight

Product: 5.2kg / Incl. packaging: 8.3kg

## Gliders

Plastic gliders installed as standard. Felt gliders available upon request.

## Seat upholstery

Seat upholstery available in all fabrics, leathers and COM.

Fabric usage: 70x70cm (0.49 meter).

Leather usage: 100x100cm (1 square meter).

COM must be approved by &Tradition to ensure suitability for upholstery.

## Manufacturer

Produced in Poland by Trio Line Polska Sp. z o.o.

## Cleaning Instructions

Please click [here](#) to download our Material Care & Cleaning Instructions.

## Base finishes



Chrome

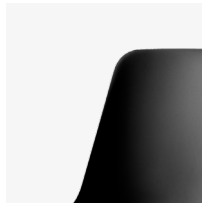


Bronzed



Black

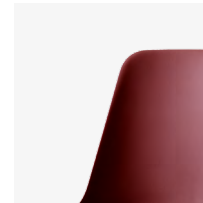
## Shell colours



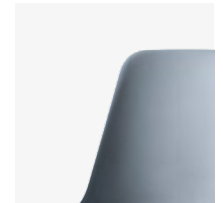
Black



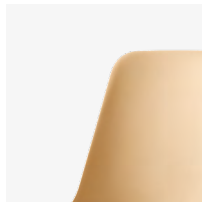
White



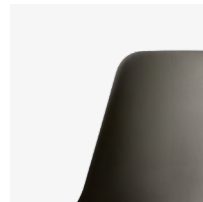
Red Brown



Light Blue



Beige Sand



Stone Grey



HW

# Rely<sup>HW8</sup> Hee Welling

**Product category**  
Upholstered chair

**Environment**  
Indoor

**Production process**  
Shell made from 100% recycled polypropylene with 15% fiber glass. Upholstered seats are made with a veneer plate with 30mm foam. Tube base is made from steel tubes in a powder coated or chrome finish.

**Material**  
Polypropylene, glass fiber, foam, upholstery, steel tube base.  
This product has not been treated with any biocides.

**Base finishes**  
Chrome, Bronzed, Black

**Certifications**



**Strength, durability and safety testing**  
The chair is tested for strength, durability and safety according to: – EN Level 2 – Extreme use.

**Related products**



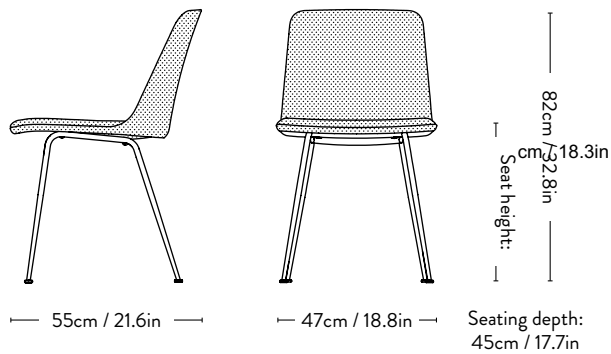
HW6-HW7, HW9-HW10      HW11-HW20



HW21-HW25      HW28-HW



**Dimensions**





HW

# Rely<sup>HW8</sup> Hee Welling

---

## Packaging dimensions

H: 84cm /33.6in

W: 51cm/20.4in

D: 60cm/24in

## Weight

Product: 5.7kg/ Incl. packaging: 8.8kg

## Gliders

Plastic gliders installed as standard. Felt gliders available upon request.

## Upholstery

Shell upholstery available in all fabrics, leathers and COM

Fabric usage: 1.40 meters based on a 140cm roll.

Leather usage: 2.2 square meters.

COM must be approved by &Tradition to ensure suitability for upholstery.

## Manufacturer

Produced in Poland by Trio Line Polska Sp. z o.o.

## Cleaning Instructions

Please click [here](#) to download our Material Care & Cleaning Instructions.

## Base finishes



Chrome



Bronzed



Black



HW9 & HW10

# Rely<sup>HW9 & HW10</sup> Hee Welling

## Product category

Upholstered chair w. seat cushion

## Environment

Indoor

## Production process

Shell made from 100% recycled polypropylene with 15% fiber glass. Upholstered seats are made with a veneer plate with 30mm foam. Tube base is made from steel tubes in a powder coated or chrome finish.

## Material

Polypropylene, glass fiber, foam, upholstery, steel tube base.

This product has not been treated with any biocides.

## Base finishes

Chrome, Bronzed, Black

## Certifications

FSC Mix (C154398): Seat cushion



## Strength, durability and safety testing

The chair is tested for strength, durability and safety according to: – EN Level 2 – Extreme use.

## Related products



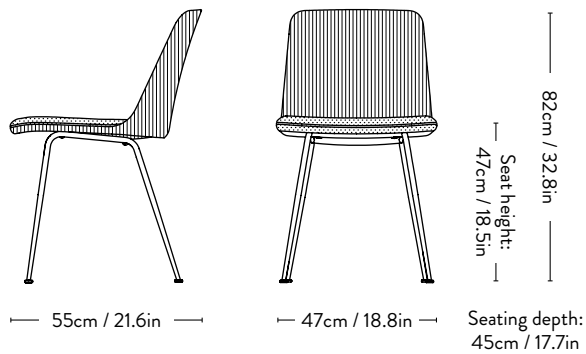
HW6-HW8 HW11-HW20



HW21-HW25 HW26-HW27



## Dimensions



&Tradition<sup>®</sup>



HW9 & HW

# Rely<sup>HW9 & HW10</sup> Hee Welling

---

## Packaging dimensions

H: 84cm /33.6in

W: 51cm/20.4in

D: 60cm/24in

## Weight

Product: 6.8kg/ Incl. packaging: 9.9kg

## Gliders

Plastic gliders installed as standard. Felt gliders available upon request.

## Upholstery

HW9: Shell + seat upholstery available in all fabrics, leathers and COM (mono upholstery)

Fabric usage: 1.8 meters based on a 140cm roll.

Leather usage: 2.7 square meters

HW10: Upholstered shell with a mixed seat upholstery available in all fabrics, leathers and COM. Fabric usage: 1.9 meter (Shell: 1.2 meters / Seat: 0.7 meter). Leather usage: 2.9 square meters (Shell: 2 sqm / Seat: 0.9 sqm).

COM must be approved by &Tradition to ensure suitability for upholstery.

## Manufacturer

Produced in Poland by Trio Line Polska Sp. z.o.o.

## Cleaning Instructions

Please click [here](#) to download our Material Care & Cleaning Instructions.

## Base finishes



Chrome



Bronzed



Black