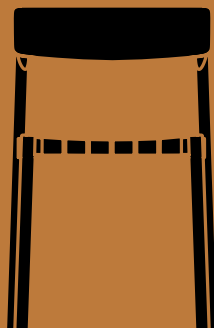
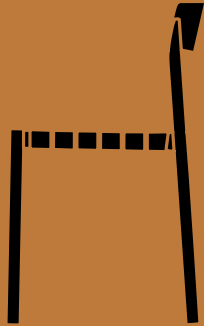
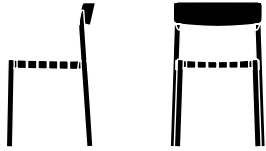


Betty <sup>TK1</sup>  
by Thau & Kallio  
2019





H: 77cm/30.3in

D: 48cm/18.9in  
Seating D: 42cm/16.5in.

W: 51cm/20.1in  
Seat H: 47cm/18.5in

# Betty<sup>TK1</sup> by Thau & Kallio 2019

## Product description

Dining chair

## Environment

Indoor

## Material

Lacquered or Oiled solid wood and formpressed veneer with natural linen and PP (Polypropylene) webbing. This product has not been treated with any biocides.

## Production process

The chair is made from solid wood and formpressed veneer with a linnen webbing seat.

## Gliders

Felt gliders installed as standard.

## Stacking quantity

8 pcs

## Dimensions

H: 77cm/30.3in, W: 51cm/20.1in, D: 48cm/18.9in,  
Seating D: 42cm/16.5in, Seat H: 47cm/18.5in.

## Packaging dimensions

H: 86cm/33.9in, W: 53.2cm/20.9in, D:  
51.7cm/20.4in.

## Colli quantity

1 (2 pcs)

## Weight

Product: 4 kg. Incl. packaging: 17.5 kg

## Country of origin

Latvia

## Certifications



## Strength, durability and safety testing

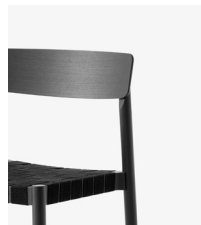
The chair is tested for strength, durability and safety according to EN level 2 - Extreme use.

## Cleaning instructions

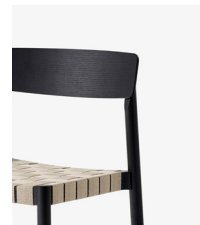
Please download our Material Care & Cleaning instructions through [www.andtradition.com](http://www.andtradition.com)

## → Stock items

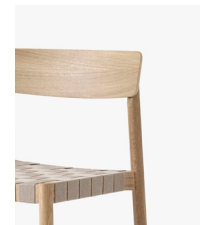
Black  
Oak  
Smoked Oak



→ Black  
Lacquered ash w.  
Black webbing



→ Black  
Lacquered ash w.  
Natural webbing



→ Oak  
Lacquered oak w.  
Natural webbing



→ Smoked Oiled oak  
w. Natural webbing

## Related products



TK2

TK3

TK4

TK5

TK7

TK8

TK9

TK10

TK11

&Tradition®



TK1

# Recycling & Disassembly

Betty<sup>TK1</sup>

## RECYCLING

The Betty chair is built to last, and we hope that your Betty will serve you for many years. The chair is made from solid wood and wood veneer, and can be easily separated from its base. All metal and wooden parts can be separated and delivered to a suitable recycling station.

## SPARE PARTS

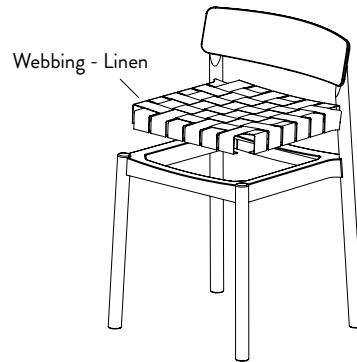
To purchase spare parts for your Betty chair, please write to our sales support team at with your query.

## 5 YEAR WARRANTY

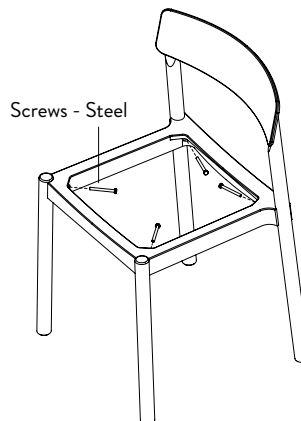
&Tradition provides a 5-year warranty with every Betty chair, which covers faults which were present at the time of purchase, or which have occurred as a result of a manufacturing defect. The warranty is valid from the date stated on the original invoice.

## DISASSEMBLY

1. To disassemble the Betty chair first remove the webbing from the seat.



2. Unscrew the bolts located inside the frame of the seat. This can be done with a socket wrench.



Remove the gliders.

