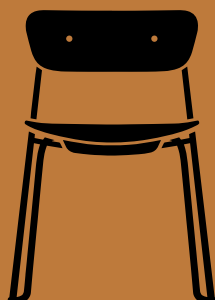


& Tradition

Pavilion ^{AV51-AV53}

Anderssen & Voll

2025





W: 52 cm / 20 in



D: 50 cm / 20 in

H: 78 cm / 31 in
Seat H: 46 cm / 18 in
Seat D: 42 cm / 17 in

Pavilion^{AV51} Anderssen & Voll 2025

Product description

Side chair

Environment

Indoor

Material

Steel tubes and form-pressed veneer. This product has not been treated with any biocides.

Production process

The chair is made from bent steel tubes and form-pressed veneer. The veneer back and seat are finished with a water-based lacquer. All chairs are equipped with an injection molded plastic stacking tray underneath the seat.

Dimensions

W: 52 cm / 20 in
H: 78 cm / 31 in
D: 50 cm / 20 in
Seat H: 46 cm / 18 in
Seat D: 42 cm / 17 in

Weight

4.5 kg

Strength, Durability and Safety Testing

EN Level 2 - Seating

Stacking quantity

With trolley: 12 pcs, Without trolley: 10 pcs

Certifications



FSC® Mix 70%

Gliders

Plastic gliders as standard

Impact

- Uses FSC® certified wood, supporting responsible management of the world's forests.
- Uses steel, a durable and highly recyclable metal, able to be repurposed in another production cycle.
- Designed for disassembly, making it easier to repair, renovate, pass on, and responsibly recycle at end of life.

Manufacturer

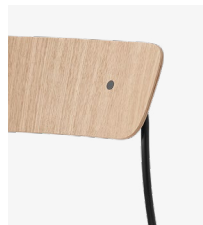
Produced in Latvia by Haugaard Company A/S

Cleaning Instructions

Please see our [Maintenance & Care instructions here](#)

→ Stock item

Laquered Oak, Black Lacquered Oak & Lacquered Walnut with Black legs



→ Laquered Oak



→ Black Lacquered Oak



→ Lacquered Walnut

&Tradition®



W: 52 cm / 20 in



D: 50 cm / 20 in

H: 78 cm / 31 in
Seat H: 47 cm / 19 in

Pavilion^{AV52} Anderssen & Voll 2025

Product description

Side chair

Environment

Indoor

Material

Steel tubes and form-pressed veneer. This product has not been treated with any biocides.

Production process

The chair is made from bent steel tubes and form-pressed veneer. The veneer back and seat are finished with a water-based lacquer. All chairs are equipped with an injection molded plastic stacking tray underneath the seat.

Variants

Wood Finishes: Laquered Oak, Black Lacquered Oak & Lacquered Walnut

Base Finishes: Black

Upholstery available in a variety of fabrics, leathers and COM

COM - Material Consumption

Fabric usage: 0.68 meters based on 140 cm roll

Leather usage: 0.47 m²

COM must be approved by &Tradition to ensure suitability for upholstery

Dimensions

W: 52 cm / 20 in

H: 78 cm / 31 in

D: 50 cm / 20 in

Seat H: 47 cm / 19 in

Weight

4.8 kg

Strength, Durability and Safety Testing

EN Level 2 - Seating

Certifications



FSC® Mix 70%

Gliders

Plastic gliders as standard

Stacking quantity

With trolley: 10 pcs, Without trolley: 8 pcs

Impact

- Uses FSC® certified wood, supporting responsible management of the world's forests.
- Uses steel, a durable and highly recyclable metal, able to be repurposed in another production cycle.
- Designed for disassembly, making it easier to repair, renovate, pass on, and responsibly recycle at end of life.



Laquered Oak



Black Lacquered Oak



Lacquered Walnut

Manufacturer

Produced in Latvia by Haugaard Company A/S

Cleaning Instructions

[Please see our Maintenance & Care instructions here](#)

&Tradition®



W: 52 cm / 20 in



D: 50 cm / 20 in

H: 79 cm / 31 in
Seat H: 47 cm / 19 in

Pavilion^{AV53}

Anderssen & Voll

2025

Product description

Side chair

Environment

Indoor

Material

Steel tubes and form-pressed veneer. This product has not been treated with any biocides.

Production process

The chair is made from bent steel tubes and form-pressed veneer. The veneer back and seat are finished with a water-based lacquer. All chairs are equipped with an injection molded plastic stacking tray underneath the seat.

Variants

Wood Finishes: Laquered Oak, Black Lacquered Oak & Lacquered Walnut
Base Finishes: Black
Upholstery available in a variety of fabrics, leathers and COM

COM - Material Consumption

Fabric usage: 1.01 meters based on 140 cm roll
Leather usage: 0.34 m²
COM must be approved by &Tradition to ensure suitability for upholstery

Dimensions

W: 52 cm / 20 in
H: 79 cm / 31 in
D: 50 cm / 20 in
Seat H: 47 cm / 19 in

Weight

5 kg

Strength, Durability and Safety Testing

EN Level 2 - Seating

Certifications



FSC® Mix 70%

Gliders

Plastic gliders as standard

Stacking quantity

With trolley: 10 pcs, Without trolley: 8 pcs

Impact

- Uses FSC® certified wood, supporting responsible management of the world's forests.
- Uses steel, a durable and highly recyclable metal, able to be repurposed in another production cycle.
- Designed for disassembly, making it easier to repair, renovate, pass on, and responsibly recycle at end of life.



Available in a variety of fabrics, leathers and COM

Manufacturer

Produced in Latvia by Haugaard Company A/S

Cleaning Instructions

Please see our [Maintenance & Care instructions here](#)

&Tradition®

Recycling & Disassembly

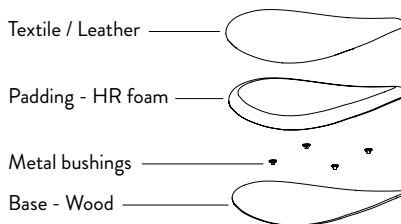
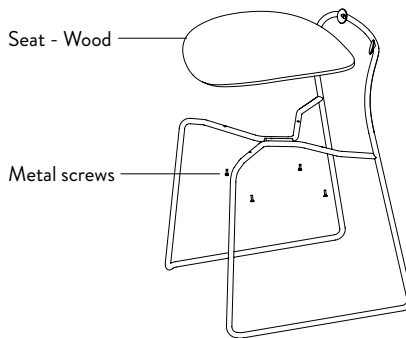
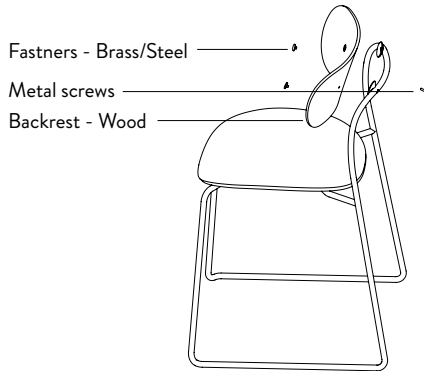
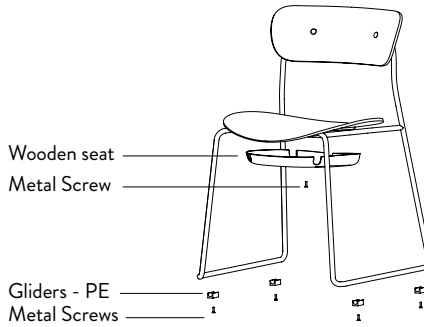
Pavilion AV51-AV53

RECYLING

The Pavilion side chair is built to last, and we hope that your stool will serve you for many years. The chair is made from steel and wood. All metal and wooden parts can be separated and delivered to a suitable recycling station.

SPARE PARTS

To purchase spare parts for your Pavilion side chair please write to our sales support team at sales@andtradition.com with your query.



DISASSEMBLY

1. Unscrew the screw underneath the seat to remove the stacking box.

Unscrew the screws holding the gliders in place and remove them.

2. Unscrew the screws behind the back of the chair, to remove the backrest and fasteners.

3. Unscrew the screws underneath the chair to remove the seat.

Disassembling of upholstered seat and back

Remove the textile, padding and bushings from the wooden base of the seat or back.