



CARE INSTRUCTIONS

For dusting and light cleaning of the frame use a soft, dry cloth.
For further cleaning of the frame, use a soft cloth that is firmly wrung
in clean water for gently wiping the surface, and then immediately
use a dry cloth to wipe the surface again. If more thorough cleaning
is necessary, use a mild detergent or washing-up liquid dissolved in
water on a firmly wrung cloth to wipe the frame. Afterwards, repeat
the process with clean water as described above.



For enquiries contact GUBI A/S - CVR:
Orientkaj 18-20, 2150 Nordhavn, Copenhagen, Denmark

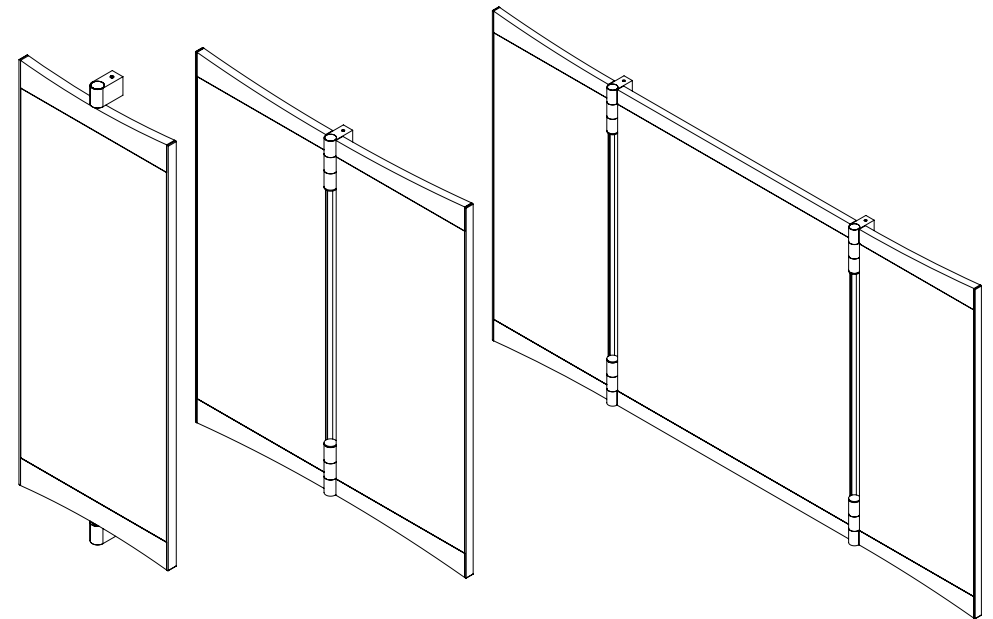
T

GUBI

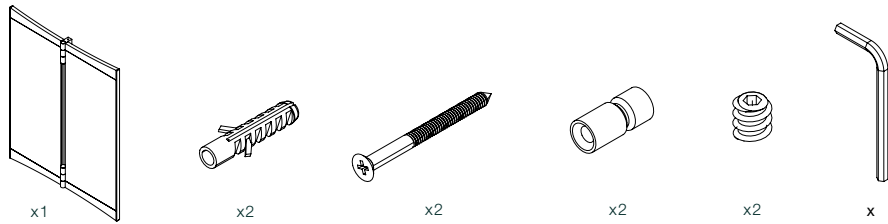
ASSEMBLY INSTRUCTIONS

for

Vanity Mirror 1 , 2 , 3

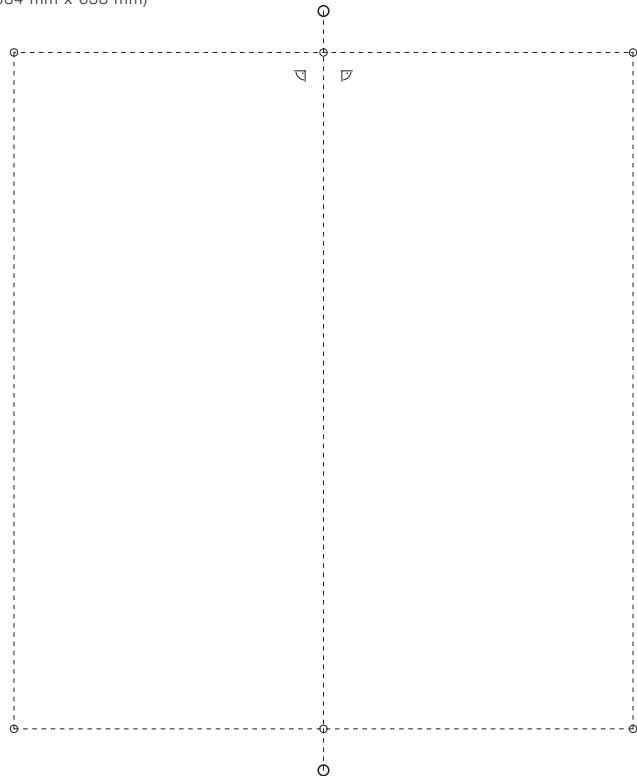


CONTENTS



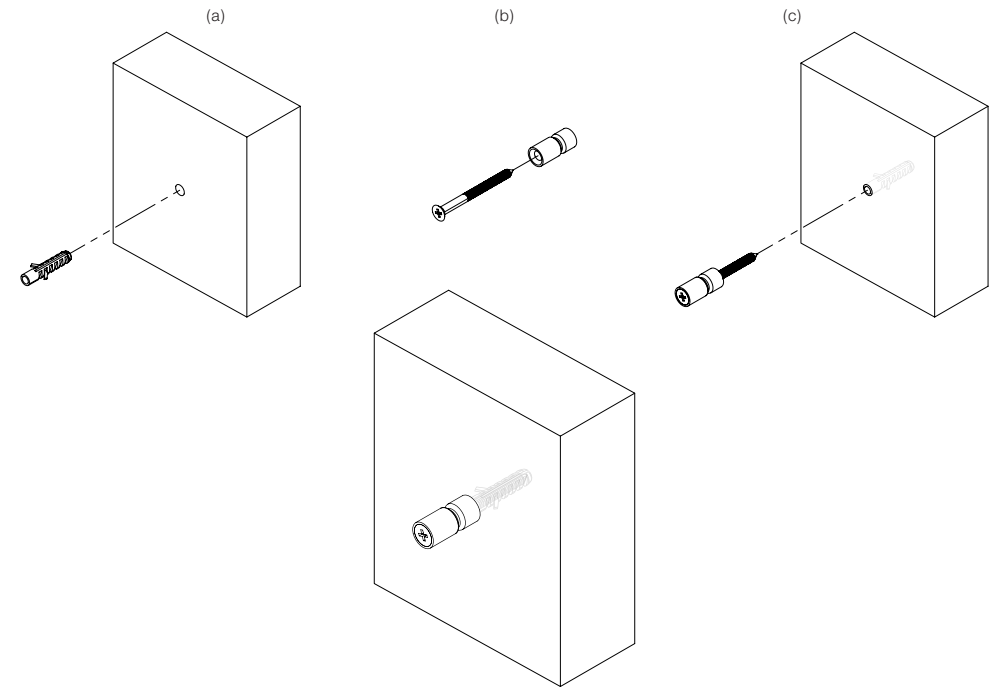
Open the guide enclosed with this instruction manual, spread it evenly, so that it is perfectly adjacent to the wall and does not create waves, and tape it to the wall where you want to hang the mirror. Use the dots inside the circles as a guide for the holes. ATTENTION: use only the holes corresponding to your mirror:

- 1 - Vanity Mirror 1 (716 mm)
- 2 - Vanity Mirror 2 (638 mm)
- 3 - Vanity Mirror 3 (584 mm x 638 mm)

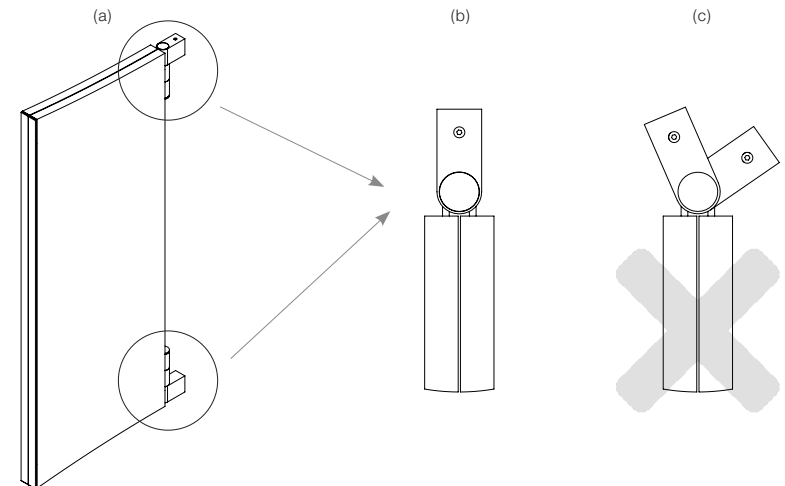


2.

Plugs enclosed are suitable for brick and concrete wall. After drilling the wall in the previously identified points (a), insert the screw inside the wall attachment (b), and then screw it into the plug (c). Repeat for all the points.



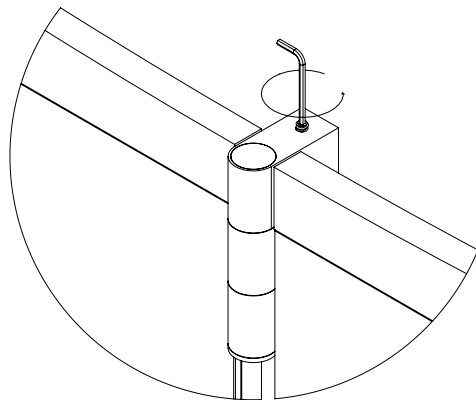
To facilitate the assembly, close the mirror (in case of Vanity Mirror 2 or 3) (a) and direct the hinges in the same direction (b) and not offset (c).



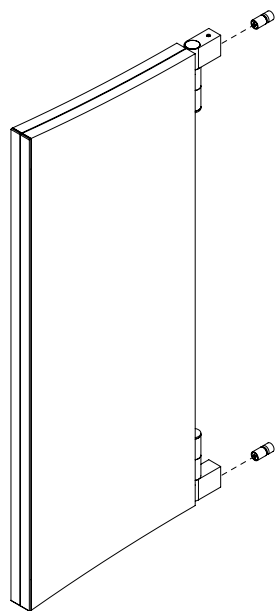
4.

It is recommended to carry out this phase in two people.
Slightly unscrew the set screws placed on the hinges using the allen key (a), assemble the mirror on the wall by inserting the hinges on the previously screwed wall attachments (b), finally screw the set screws again on each hinge with the allen key (c), making sure to push the mirror against the wall as you do so.

(a)



(b)



(c)

