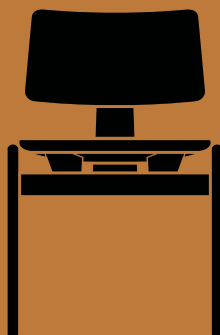


Daystak Side Chair ^{RD1}

Robin Day

1951



Daystak Side Chair ^{RD1}

Robin Day

1951



W: 50.3cm / 20in
Seat H: 46.3cm / 18in



D: 48.4cm / 19in
Seating D: 37.5cm / 15in

H: 76.1cm / 30in

Product description

Side Chair

Environment

Indoor

Material

Solid beech, beech and walnut veneer. This product has not been treated with any biocides.

Production process

The solid beech frame is cut using a CNC machine. The seat, back and back supports are made by form-pressing laminated veneer layers together with glue, and then cut into their final shape using a CNC machine. The entire chair is then sanded and the frame is glued together.

Variants

Beech, Beech & Walnut

Dimensions

H: 76.1cm / 30in, W: 50.3cm / 20in,
D: 48.4cm / 19in, Seat H: 46.3cm / 18in,
Seat D: 37.5cm / 15in

Weight

4.5 kg

Strength, durability and safety testing

The chair is tested for strength, durability and safety according to: EN Level 2 Seating, BIFMA

Certifications



FSC® Mix 70%

Gliders

Plastic gliders installed as standard. Felt gliders available upon request.

Stacking Quantity

5

Impact

- Made in a factory powered by certified renewable energy. 2. Designed for disassembly, enabling easier repair, renovation and replacement of parts.
- Uses FSC® certified wood, supporting responsible management of the world's forests.

Manufacturer

Produced in Latvia by Kvist Industries A/S

Cleaning instructions

Please download our Material Care & Cleaning instructions through

→ Stock items

Beech, Beech & Walnut



→ Beech



→ Beech & Walnut

Recycling & Disassembly

Daystak Side Chair ^{RD1}

RECYCLING

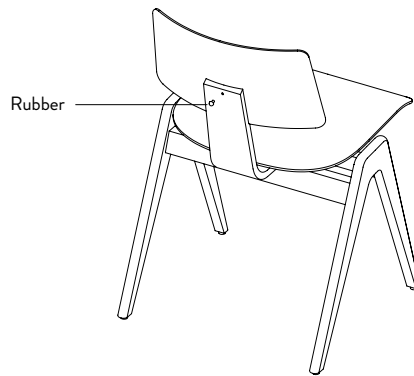
The Daystak Side Chair is built to last and we hope that it will serve you for many years to come. The chair is made from solid wood and wood veneer, and can be easily separated from its base. All metal and wooden parts can be separated and delivered to a suitable recycling station.

SPARE PARTS

To purchase spare part, please write to our sales support team at sales@tradition.se with your query.

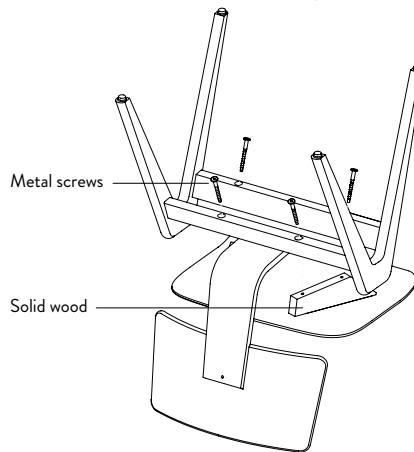
5 YEAR WARRANTY

&Tradition provides a 5-year warranty with every Daystak Side Chair. This warranty covers any faults present at the time of purchase, or those that may have occurred as a result of a manufacturing defect. The warranty is valid from the date stated on the original invoice.



DISASSEMBLY

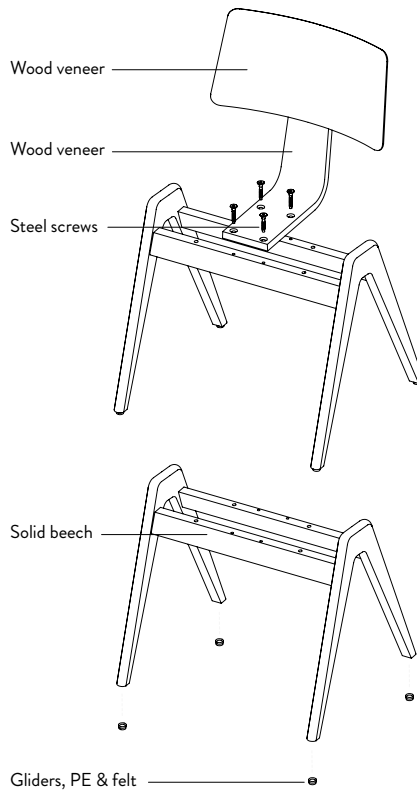
1. Remove the rubber stacking knob using pliers. Do this with caution as it is mounted with glue.



2. Remove the seat plate by unscrewing the four screws beneath the seat.

Recycling & Disassembly

Daystak Side Chair ^{RD1}



DISASSEMBLY

3. Turn the chair the right way up and unscrew the four screws to separate the backrest from the base.

4. Remove the gliders using a flat-head screwdriver.