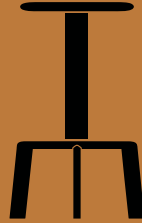
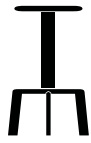


Massif AV39-AV40

Anderssen & Voll

2024





H: 65cm / 26in

W: 40cm/16in, D: 40cm/16in

Massif AV39

Anderssen & Voll

2024

Product description

Counter Stool

Environment

Indoor

Material

Solid oak, powder-coated steel, water-based lacquer.
This product has not been treated with any biocides.

Production process

The seat and column are made from solid oak treated with a water-based lacquer which are connected with a swivel mechanism made from laser cut stainless steel and nylon. The base is made from powder-coated steel.

Variants

Warm Black and Dark Stained Oak, Grey Beige and Oak, Ember

Strength, durability and safety testing

The stool is tested for strength, durability and safety testing according to: EN Level 2 (Seating)

Dimensions

H: 65cm / 26in, W: 40cm / 16in, D: 40cm / 16in

Packaging dimensions

H: 31cm / 12in, W: 43cm / 17in, D: 43cm / 17in

Weight

7.6 kg / Weight incl. packaging 10kg

Gliders

Plastic gliders

Colli quantity

1

Certifications



FSC® 100%

Impact

1. Made using FSC® certified wood, supporting responsible management of the world's forests.
2. Uses water-based lacquer, safer for indoor air quality.

Manufacturer

Produced in PRC by Nine United Limited

Cleaning Instructions

Please download our Material Care & Cleaning instructions through

→ Stock items

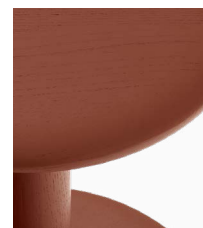
Dark Stained Oak and Warm Black,
Oak and Grey Beige, Ember



→ Dark Stained Oak and Warm Black

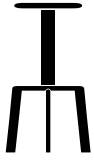


→ Oak and Grey Beige



→ Ember

&Tradition®



H: 75cm / 30in

W: 43cm/17in, D: 43cm/17in

Massif AV40

Anderssen & Voll

2024

Product description

Bar Stool

Environment

Indoor

Material

Solid oak, powder-coated steel, water-based lacquer.
This product has not been treated with any biocides.

Production process

The seat and column are made from solid oak treated with a water-based lacquer which are connected with a swivel mechanism made from laser cut stainless steel and nylon. The base is made from powder-coated steel.

Variants

Warm Black and Dark Stained Oak, Grey Beige and Oak, Ember

Strength, durability and safety testing

The stool is tested for strength, durability and safety testing according to: EN Level 2 (Seating)

Dimensions

H: 75cm / 30in, W: 43cm / 17in, D: 43cm / 17in

Packaging dimensions

H: 45cm / 18in, W: 45cm / 18in, D: 40cm / 16in

Weight

8.6 kg / Weight incl. packaging 11.3kg

Gliders

Plastic gliders

Colli quantity

1

Certifications



FSC® 100%

Impact

1. Made using FSC® certified wood, supporting responsible management of the world's forests.
2. Uses water-based lacquer, safer for indoor air quality.

Manufacturer

Produced in PRC by Nine United Limited

Cleaning Instructions

Please download our Material Care & Cleaning instructions through

→ Stock items

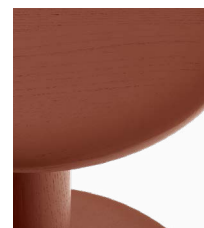
Dark Stained Oak and Warm Black,
Oak and Grey Beige, Ember



→ Dark Stained Oak and Warm Black

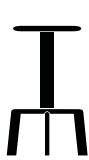


→ Oak and Grey Beige



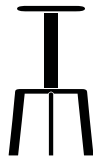
→ Ember

&Tradition®



H: 65cm / 26in

W: 40cm/16in, D: 40cm/16in
AV39



H: 75cm / 30in

W: 43cm/17in, D: 43cm/17in
AV40

Recycling & Disassembly

Massif AV39 & AV40

RECYLING

The Massif Bar & Counter Stool is built to last, and we hope that your Massif will serve you for many years. The Bar & Counter Stool is made from solid wood and wood veneer, and can be easily separated from its base. All metal and wooden parts can be separated and delivered to a suitable recycling station.

SPARE PARTS

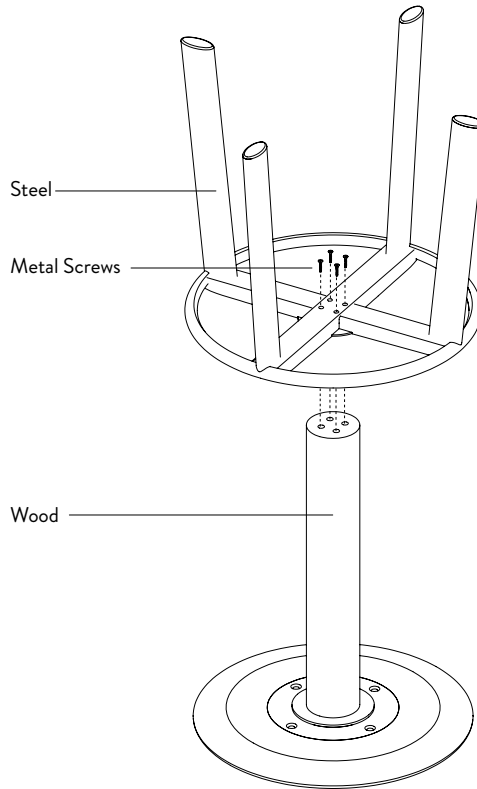
To purchase spare parts for your Massif Bar & Counter Stool, please write to our sales support team at sales@tradition.com with your query.

5 YEAR WARRANTY

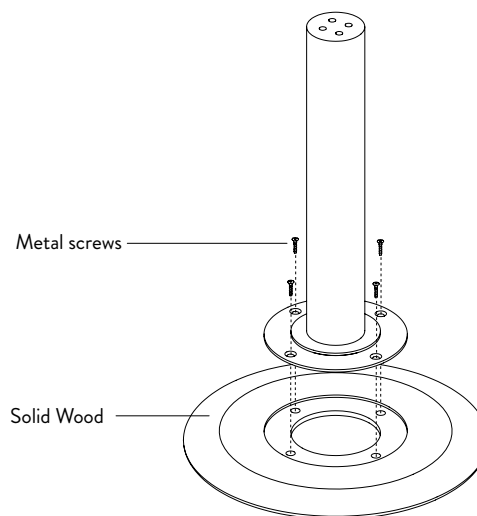
&Tradition provides a 5-year warranty with every Massif Bar & Counter Stool, which covers faults which were present at the time of purchase, or which have occurred as a result of a manufacturing defect. The warranty is valid from the date stated on the original invoice.

DISASSEMBLY

1. Screw counterclockwise to loosen the base of the barstool.



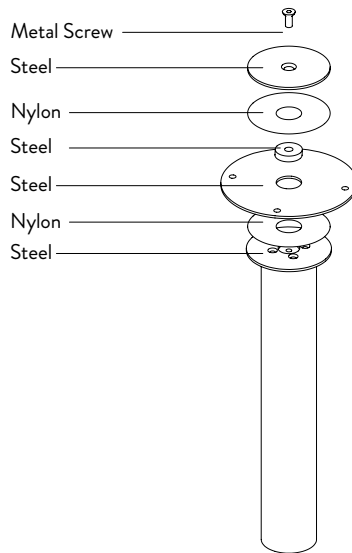
2. Screw counterclockwise to loosen the seat from the rod.



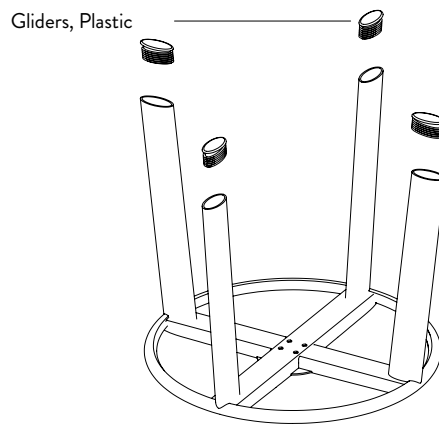
Recycling & Disassembly

Massif AV39 & AV40

DISASSEMBLY



3. Screw counterclockwise to loosen and divide the turn joint.



4. Remove the gliders with a flatheaded screwdriver.