



Lyra Sconce



Technical Specifications

Materials	Glass, Brass-plated steel
Product weight	3.5 lbs
Lead time	12 weeks
Integrated LED	675 lm / 2700K / 15 W / 92+ CRI
Input Voltage	120 V, 240 V or 277 V
Dimmer	TRIAC, ELV or 0-10 V
Certifications	UL, ETL listed, damp-rated, ADA compliant



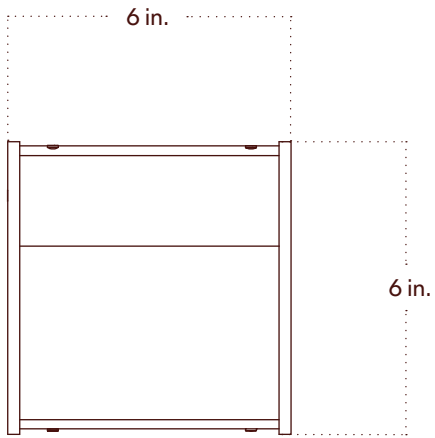
Notes

1. This fixture can be installed on a wall or ceiling.
2. This fixture has handmade elements and may exhibit variability within the same piece. These variations are inherent in the production process and are not to be considered as defects. We do our best to maintain a consistent product while honoring handmade craftsmanship.
3. Dimensions may vary within half an inch.
4. The LED lifetime is 50,000 hours.
5. The driver is included with the fixture and can be installed inside of the J-box or remotely.
6. This fixture is designed so the LED board can be replaced when it reaches its lifetime.
7. This fixture meets the requirements of the Americans with Disabilities Act (ADA) of

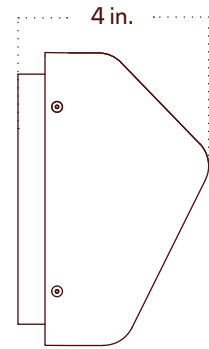
Updated

April 29, 2025

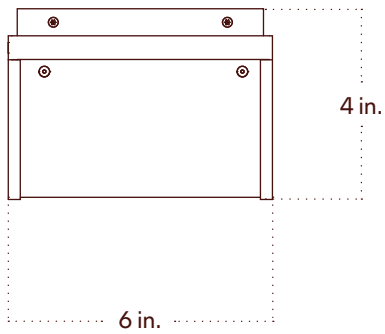
Front View



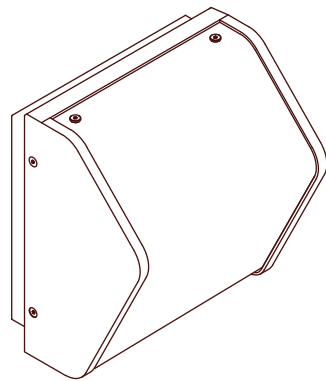
Side View



Top View



Isometric View



Lyra Sconce, Plug-in



Technical Specifications

Materials	Glass, Brass-plated steel
Product weight	3.5 lbs
Lead time	12 weeks
Integrated LED	675 lm / 2700K / 15 W / 92+ CRI
Input Voltage	120 V
Dimmer	Integrated dimmer switch
Certifications	UL, ETL listed



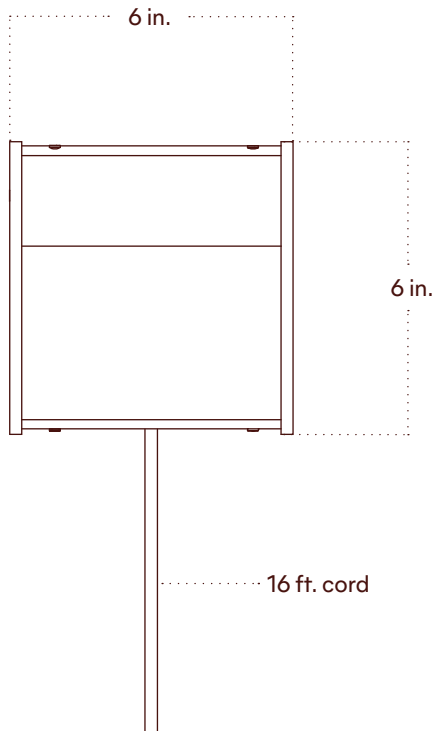
Notes

1. Universal canopy mounting is located at the center of the fixture. Additional anchor holes are available for added support.
2. This fixture comes with a 16-foot chocolate brown fabric cord. The dimmer switch is our black painted metal finish and is located 8 feet from the plug.
3. This fixture has handmade elements and may exhibit variability within the same piece. These variations are inherent in the production process and are not to be considered as defects. We do our best to maintain a consistent product while honoring handmade craftsmanship.
4. Dimensions may vary within half an inch.
5. The LED lifetime is 50,000 hours.
6. The driver is included with the fixture and can be installed inside of the J-box or remotely.
7. This fixture is designed so the LED board can be replaced when it reaches its lifetime.

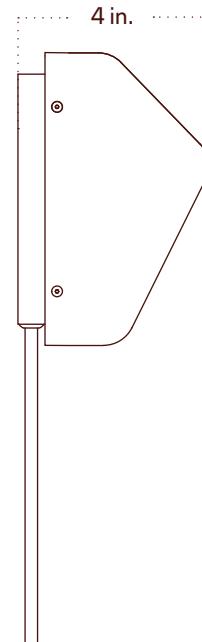
Updated

April 29, 2025

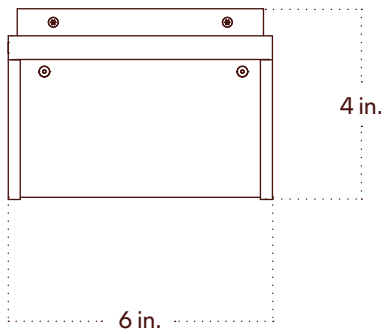
Front View



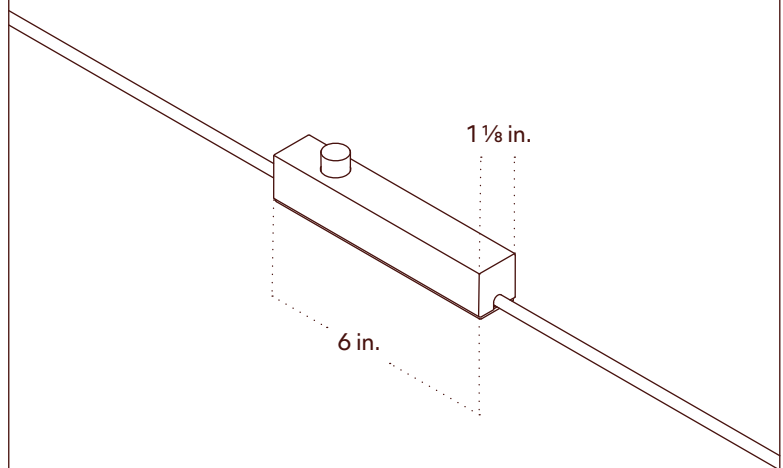
Side View



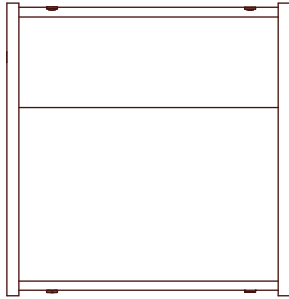
Top View



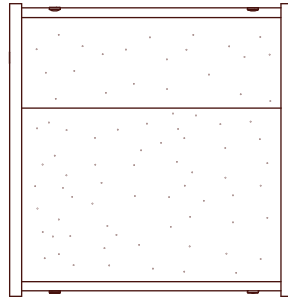
Inline Dimmer Switch Detail



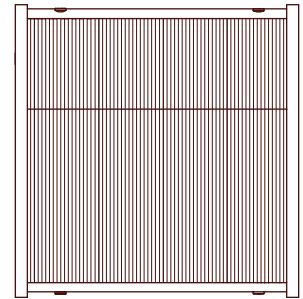
Front View



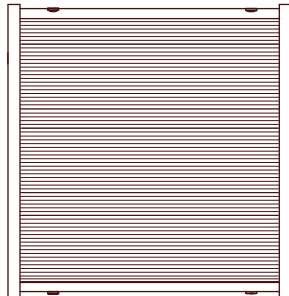
Solid



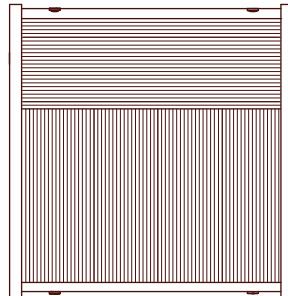
Powder



Vertical Stripe



Horizontal Stripe

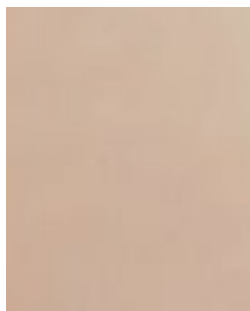


Basketweave

Finish Options

Brass, glass, and ceramic samples made or finished by hand may exhibit variability. Available for purchase at

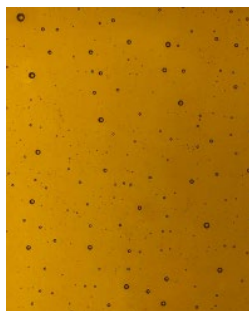
Solid Glass



Almond



Olive



Pecan



Cherry

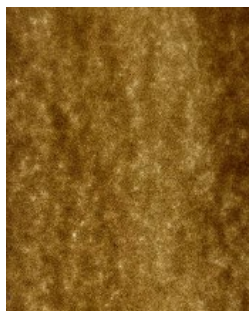
Powder Glass



Cirrus



Moss



Umber



Plum

Striped Glass



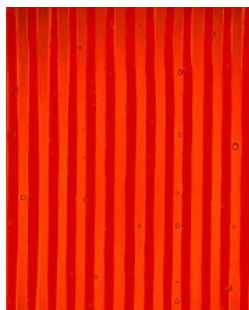
Vellum



Zinnia



Marigold



Garnet

Finish Options

Brass, glass, and ceramic samples made or finished by hand may exhibit variability. Available for purchase at

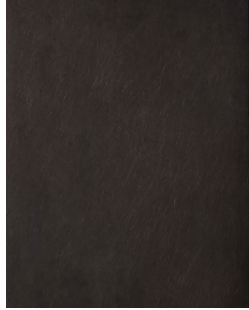
Brass



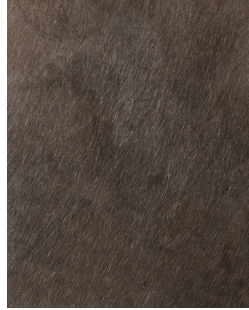
Brass



Patina Brass



Blackened Brass



Pewter