

Audo

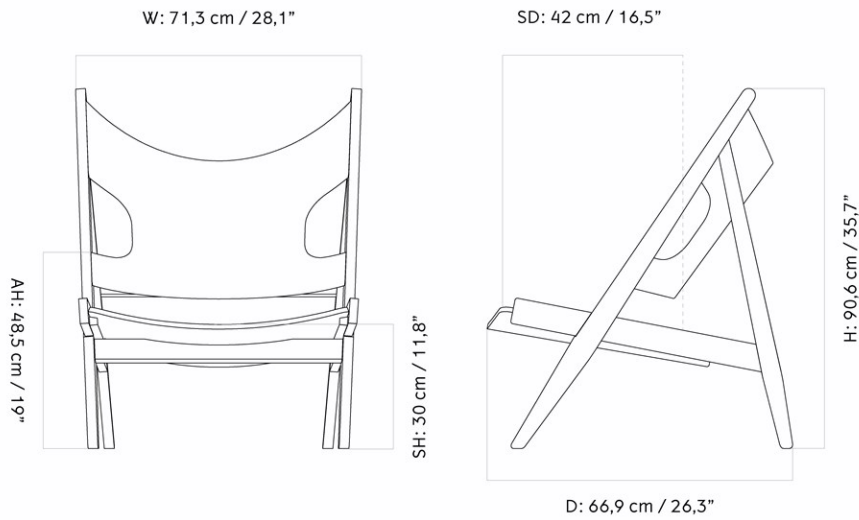


KNITTING LOUNGE CHAIR Designed by *Ib Kofod-Larsen*

DESCRIPTION The Knitting Lounge Chair is available in a range of textiles, leathers, and sheepskin upholstery, and comes in four finishes: natural oak, dark stained oak, black oak, and walnut.

SKU		COUNTRY OF ORIGIN	Lithuania
EAN		MATERIALS	Plywood, Foam, Upholstery, Solid Walnut
BASE MATERIAL	Walnut, Solid	CO2e	Kg
BASE TYPE	4-Legs Base	WARRANTY	10 years (Download)
FOAM TYPE	Global / US - CAL117	CARE INSTRUCTIONS	Base Material Upholstery
PRICE CATEGORY	PC3L		
UPHOLSTERY	SHEEPSKIN NEVOTEX		
UPHOLSTERY COLOUR	Sahara		
UPHOLSTERY TYPE	Fully Upholstered		
DESIGNER	Ib Kofod-Larsen		
PRODUCT TYPE	Lounge Chair		
ENVIRONMENT	Indoor		
TEXTILE LEATHER CONSUMPTION	Textile Consumption: yds Leather Consumption: ft2		

Audo



KNITTING LOUNGE CHAIR Designed by *Ib Kofod-Larsen*

TECHNICAL SPECIFICATIONS

DIMENSIONS

Arm Height: "
Seat Height: "
Seat Depth: "
Product Height: "
Product Width: "
Product Depth: "

NET WEIGHT

Lb

GROSS WEIGHT

Lb

PACKAGING TYPE

Brown Box

PACKAGING MEASUREMENTS

H x W x D
" x " x "

PRODUCTION PROCESS

Solid oak or walnut frame is CNC milled and treated with a wax-oiled finish. Seat and backrest are made from curved plywood and upholstered in textile, leather or sheepskin. Assembly are done by hand.

Audo

KNITTING LOUNGE CHAIR Designed by *Ib Kofod-Larsen*

SAMPLES

Explore available material samples to experience the product's finishes in your own space, easily ordered through our website or the B2B portal.

SAMPLES

VARIANT

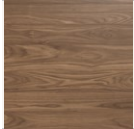
SAMPLE SKU



SHEEPSKIN SKANDILOCK Sahara



SHEEPSKIN NEVOTEX Sahara



Wood - Walnut, Solid, Lacquered