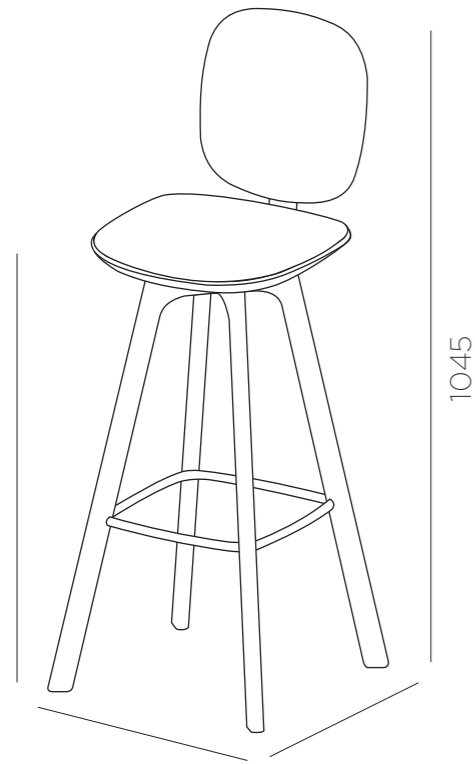


Pauline Comfort 75 cm

by OEO Studio

BRDR. KRÜGER



1045



Oak, Oiled
Wood legs
PA76-OOL



Oak, Oiled
Metal Legs
PA76-OOL-BM



Fumed Oak, Oiled
Wood legs
PA76-OFU



Fumed Oak, Oiled
Metal Legs
PA76-OFU-BM

Dimensions

Height	1045 mm
Seat Height	750 mm
Seat Width	375 mm
Seat Depth	375 mm
Box	490 x 490 x 1100 mm.
Weight	8,5 kg

Responsibility

At Brdr. Krüger, sustainable product lifecycle considerations are at the heart of everything we do with focus on benefits for the environment, workers, and end-users. We source high-quality materials from certified sustainable forest management. The manufacturing processes run on low-emission hydropower and waste-to-energy solutions, achieving a near carbon-neutral effect and minimizing our reliance on fossil fuels. Our commitment to traditional craftsmanship and durable design ensures that our furniture is not only timeless but also built to last, contributing to sustainability for future generations.

Test and Certification

This stool has been tested for strength, durability, and safety through independent third-party verification in accordance with **EN Level 2, making it suitable for extreme use. The wood is sourced from sustainably managed forests and certified by PEFC** through independent third-party verification.

Meeting Regulations

The Clear Oil features a low VOC content and is fully compliant with EU regulations. This product contains no biocides, ensuring a natural and environmentally responsible finish. Worker safety is a high priority, with all processes conducted under controlled conditions in accordance with unions and national regulations.

Maintenance

Please see our Maintenance & Care instructions at

Gliders

Felt gliders installed as standard
Plastic gliders available upon request.

Variants

Available in two wood finishes - Oiled Oak and Fumed Oiled Oak. The seat can be selected with different upholstery choices spanning premium leathers and fabrics. The base is offered in either matching wood or matte black powder-coated steel.

Materials, Process and Finishing

Crafted from solid European oak combines modern CNC milling with traditional hand-finishing techniques. Each of its precision-made components is assembled with meticulous attention to detail, ensuring durability and a timeless aesthetic. Surfaces are finely sanded by hand for a smooth, tactile finish, and a clear oil is applied to protect the wood while preserving its natural character and reparability. The wide color choice of upholstery materials was designed to harmonize with the natural wood tones.

Fumed Oak Process

For a deeper tone, the oak undergoes a traditional fuming process, where it is exposed to a small amount of ammonia vapors in a sealed environment for 20 hours. This reaction with the wood's natural tannins enhances the grain structure and deepens the color. As a natural, non-surface-based treatment, no dyes are used, preserving the wood's authentic character. Variations in hue may occur depending on the tannin content of each piece.

Craftsmanship Statement

We support and foster the Danish cultural heritage of craftsmanship by preserving and advancing the traditional techniques used in our family workshop since 1945. This commitment reflects both the preservation of the craft and its evolution through the integration of new techniques, innovation, and design development.

Upholstery # Reference

	Hallingdal, Grey Fabric
	Moss, Cream Fabric
	Spectrum, Oyster Leather
	Spectrum, Almond Leather
	Spectrum, Brandy Leather
	Spectrum, Cinnamon Leather
	Savanne, Black Leather

Description

The Pauline Comfort Bar Stool is a refined expression of Brdr. Krüger's commitment to quality and enduring design. With its sculptural silhouette and understated elegance, it reflects the heritage of Danish craftsmanship while offering exceptional comfort with its gently curved backrest. Designed to suit a variety of interiors—from residential kitchens to restaurants and hospitality spaces—the stool balances form and function with timeless sophistication.