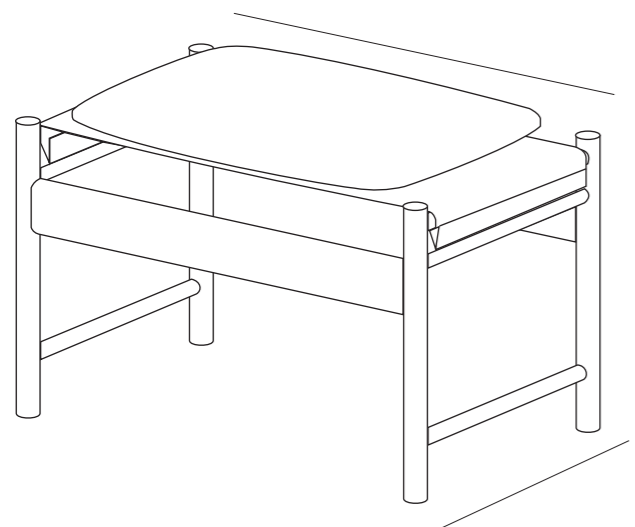


# HB Stool

by Hans Bølling

BRDR. KRÜGER



Oak, Oiled  
Leather cushion  
BO40-OOL-66



Fumed Oak, Oiled  
Leather cushion  
BO40-OFU



Oak, Oiled  
Canvas cushion  
BO40-OOL-06



Fumed Oak, Oiled  
Canvas cushion  
BO40-OFU-06

Upholstery	# Reference
Canvas	BOCC-06
Spectrum, Brandy Leather	BOCC

## Dimensions

Height	400 mm
Length	650 mm
Width	415 mm
Box	670 x 460 x 430 mm
Weight	4 kg

## Responsibility

At Brdr. Krüger, sustainable product lifecycle considerations are at the heart of everything we do with focus on benefits for the environment, workers, and end-users. We source high-quality materials from certified sustainable forest management. The manufacturing processes run on low-emission hydropower and waste-to-energy solutions, achieving a near carbon-neutral effect and minimizing our reliance on fossil fuels. Our commitment to traditional craftsmanship and durable design ensures that our furniture is not only timeless but also built to last, contributing to sustainability for future generations.

## Test and Certification

The wood is sourced from sustainably managed forests and certified by PEFC through independent third-party verification.

## Meeting Regulations

The Clear Oil features a low VOC content and is fully compliant with EU regulations. This product contains no biocides, ensuring a natural and environmentally responsible finish. Worker safety is a high priority, with all processes conducted under controlled conditions in accordance with unions and national regulations.

## Maintenance

Please see our Maintenance & Care instructions at

## Variants

Available in two wood finishes—Oiled Oak and Fumed Oiled Oak. The canvas pieces are supporting cushions upholstered with canvas, leather or custom-selected material.

## Materials, Process and Finishing

Crafted in Denmark, the stool is available in a selection of sustainably sourced wood, chosen in collaboration with the American Hardwood Export Council. The upholstery is offered in natural canvas or brandy leather, providing both comfort and durability. Each piece is meticulously hand-sanded in gradual steps to achieve a soft, tactile finish, and treated with a clear oil that enhances the wood's durability while preserving its natural repairability.

## Fumed Oak Process

For a deeper tone, the oak undergoes a traditional fuming process, where it is exposed to a small amount of ammonia vapors in a sealed environment for 20 hours. This reaction with the wood's natural tannins enhances the grain structure and deepens the color. As a natural, non-surface-based treatment, no dyes are used, preserving the wood's authentic character. Variations in hue may occur depending on the tannin content of each piece.

## Craftsmanship Statement

We support and foster the Danish cultural heritage of ship by preserving and advancing the traditional techniques nurtured in our family workshop since 1852. This commitment reflects both the preservation of the craft and its evolution through the integration of new techniques, innovation, and design development.

## Description

The stool is a refined expression of Danish design heritage, blending minimalist aesthetics with meticulous craftsmanship. It features clean architectural lines and subtle curves, embodying a balance between simplicity and intricate detail. HB Stool serves as a versatile piece, functioning as a standalone seat or complementing the HB Lounge Chair. Its timeless design and quality craftsmanship make it suitable for various interior settings, from residential living spaces to sophisticated hospitality environments.