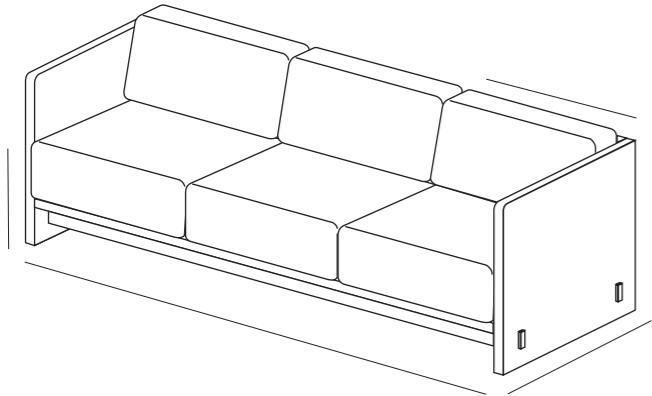


# KARM Sofa 3 Seaters

by David Thulstrup



Oak, Oiled  
KA3S-OOL



Fumed Oak, Oiled  
KA3S-OFU

**Upholstery** # Reference



Moss, Cream Fabric

**Dimensions**

Length	2100 mm
Height	650 mm
Width	810 mm
Seat Depth	570 mm
Seat Height	420 mm

**Responsibility**

At Brdr. Krüger, sustainable product lifecycle considerations are at the heart of everything we do with focus on benefits for the environment, workers, and end-users. We source high-quality materials from certified sustainable forest management. The manufacturing processes run on low-emission hydropower and waste-to-energy solutions, achieving a near carbon-neutral effect and minimizing our reliance on fossil fuels. Our commitment to traditional craftsmanship and durable design ensures that our furniture is not only timeless but also built to last, contributing to sustainability for future generations.

**Test and Certification**

The wood is sourced from sustainably managed forests and certified by PEFC through independent third-party verification.

**Meeting Regulations**

The Clear Oil features a low VOC content and is fully compliant with EU regulations. This product contains no biocides, ensuring a natural and environmentally responsible finish. Worker safety is a high priority, with all processes conducted under controlled conditions in accordance with unions and national regulations.

**Maintenance**

Please see our Maintenance & Care instructions at

**Variants**

Available in two wood finishes—Oiled Oak and Fumed Oiled Oak, also offering customizable options for both wood and fabric upon request.

**Materials, Process and Finishing**

This sofa features a frame crafted from specially selected, thick oak planks with a waxed-oiled finish, paired with delicate wedge joints visible on both sides. Each piece is meticulously hand-sanded in gradual steps to achieve a soft, tactile finish.

**Fumed Oak Process**

For a deeper tone, the oak undergoes a traditional fuming process, where it is exposed to a small amount of ammonia vapors in a sealed environment for 20 hours. This reaction with the wood's natural tannins enhances the grain structure and deepens the color. As a natural, non-surface-based treatment, no dyes are used, preserving the wood's authentic character. Variations in hue may occur depending on the tannin content of each piece.

**Craftsmanship Statement**

We support and foster the Danish cultural heritage of craftsmanship by preserving and advancing the traditional techniques nurtured in our family workshop since 1852. This commitment reflects both the preservation of the craft and its evolution through the integration of new techniques, innovation, and design development.

**Description**

The Karm Sofa blends modernist clarity with artisanal craftsmanship. The upholstery in cream fabric offers a soft, neutral tone that complements the warmth of the oak, creating a calming and sophisticated aesthetic. Originally created for the lounge of Copenhagen's renowned Noma restaurant, the sofa is now part of Brdr. Krüger's core furniture collection.