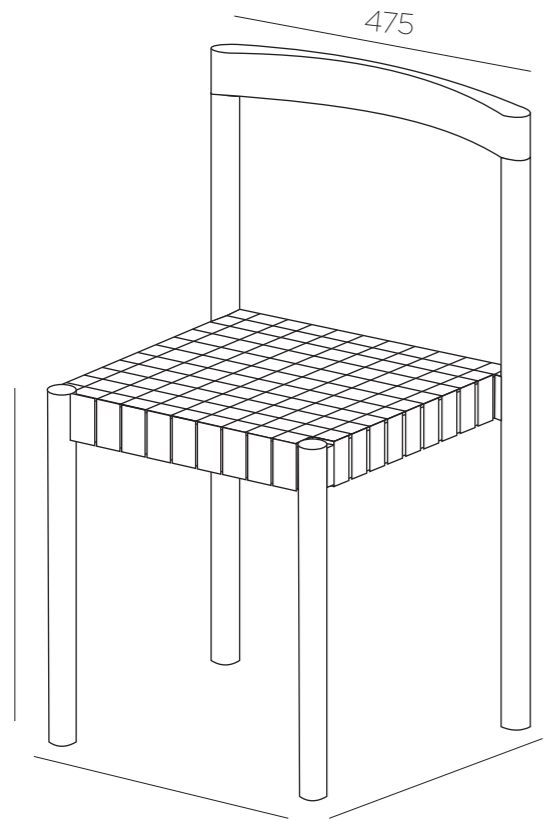


EKKO Chair

by Henning Larsen Architects

BRDR. KRÜGER



Oak, Oiled
Linen Webbing
EKCX-OOL-07



Oak, Oiled
Veneer Seat
EKCX-OOL-03



Oak, Oiled
Almond Leather
EKCX-OOL



Oak, Oiled
Linen webbing
EKCX-OFU-07



Fumed Oak, Oiled
Veneer Seat
EKCX-OFU-03



Fumed Oak, Oiled
Almond Leather
EKCX-OFU-63

Dimensions

Height	790 mm
Seat Width	406 mm
Seat Depth	406 mm
Box	490 x 490 x 800 mm
Weight	6 kg

Responsibility

At Brdr. Krüger, sustainable product lifecycle considerations are at the heart of everything we do with focus on benefits for the environment, workers, and end-users. We source high-quality materials from certified sustainable forest management. The manufacturing processes run on low-emission hydropower and waste-to-energy solutions, achieving a near carbon-neutral effect and minimizing our reliance on fossil fuels. Our commitment to traditional craftsmanship and durable design ensures that our furniture is not only timeless but also built to last, contributing to sustainability for future generations.

Test and Certification

This chair has been tested for strength, durability, and safety through independent third-party verification in accordance with **EN Level 2, making it suitable for extreme use. The wood is sourced from sustainably managed forests and certified by PEFC through independent third-party verification.**

Meeting Regulations

The Clear Oil features a low VOC content and is fully compliant with EU regulations. This product contains no biocides, ensuring a natural and environmentally responsible finish. Worker safety is a high priority, with all processes conducted under controlled conditions in accordance with unions and national regulations.

Maintenance

Please see our Maintenance & Care instructions at

Gliders

Felt gliders installed as standard
Plastic gliders available upon request.

Variants

Available in Oiled Oak or Fumed Oak, with different seat finishes: flax webbing, veneered or upholstered leather seat.

Materials, Process and Finishing

Crafted from solid European oak and seat made from 100% flax webbing. Assembly is carried out by hand using traditional, durable joinery techniques, ensuring lasting quality. The surfaces are sanded by hand in gradual steps to achieve a soft touch. A hand-applied Clear Oil enhances the wood's durability while preserving its natural reparability.

Fumed Oak Process

For a deeper tone, the oak undergoes a traditional fuming process, where it is exposed to a small amount of ammonia vapors in a sealed environment for 20 hours. This reaction with the wood's natural tannins enhances the grain structure and deepens the color. As a natural, non-surface-based treatment, no dyes are used, preserving the wood's authentic character. Variations in hue may occur depending on the tannin content of each piece.

Craftsmanship Statement

We support and foster the Danish cultural heritage of craftsmanship by preserving and advancing the traditional techniques nurtured in our family workshop since 1852. This commitment reflects both the preservation of the craft and its evolution through the integration of new techniques, innovation, and design development.

Description

Rooted in purist principles of honesty, the chair's design is characterized by clean lines and a universal form language, that enables seamless arrangements of hundreds of chairs while maintaining the coherence of the space. Ekko Chair is stackable and built to meet the highest EU Standard (L2) for extreme use. The design delivers a balance of practicality, comfort, uniformity and style, making it relevant for contract and hospitality.