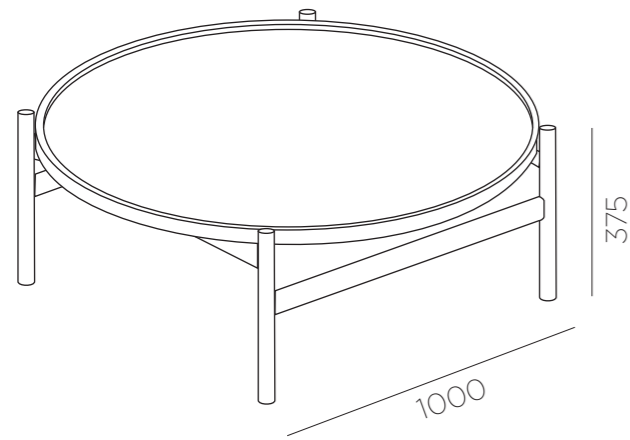


# HB Coffee Table

by Hans Bølling

BRDR. KRÜGER



Oak, Oiled  
BO09-OOL



Fumed Oak, Oiled  
BO09-OFU

## Dimensions

Diameter	Ø1000 mm
Height	375 mm
Tray Height	30 mm
Box	1020 x 1020 x 380 mm
Weight	12 kg

## Responsibility

At Brdr. Krüger, sustainable product lifecycle considerations are at the heart of everything we do with focus on benefits for the environment, workers, and end-users. We source high-quality materials from certified sustainable forest management. The manufacturing processes run on low-emission hydropower and waste-to-energy solutions, achieving a near carbon-neutral effect and minimizing our reliance on fossil fuels. Our commitment to traditional craftsmanship and durable design ensures that our furniture is not only timeless but also built to last, contributing to sustainability for future generations.

## Test and Certification

The wood is sourced from sustainably managed forests and certified by PEFC through independent third-party verification.

## Meeting Regulations

The Clear Oil features a low VOC content and is fully compliant with EU regulations. This product contains no biocides, ensuring a natural and environmentally responsible finish. Worker safety is a high priority, with all processes conducted under controlled conditions in accordance with unions and national regulations.

## Maintenance

Please see our Maintenance & Care instructions at

## Gliders

Felt gliders installed as standard  
Plastic gliders available upon request.

## Variants

Available in two wood finishes—Oiled Oak and Fumed Oiled Oak.

## Materials, Process and Finishing

Crafted from solid oak wood using traditional joinery techniques, each table is hand-assembled for lasting strength and quality. Surfaces are sanded by hand in gradual steps for a smooth, tactile feel, and finished with a hand-applied clear oil to enhance durability while preserving the wood's natural character and repairability.

## Fumed Oak Process

For a deeper tone, the oak undergoes a traditional fuming process, where it is exposed to a small amount of ammonia vapors in a sealed environment for 20 hours. This reaction with the wood's natural tannins enhances the grain structure and deepens the color. As a natural, non-surface-based treatment, no dyes are used, preserving the wood's authentic character. Variations in hue may occur depending on the tannin content of each piece.

## Craftsmanship Statement

We support and foster the Danish cultural heritage of craftsmanship by preserving and advancing the traditional techniques nurtured in our family workshop since 1963. This commitment reflects both the preservation of the craft and its evolution through the integration of new techniques, innovation, and design.

## Description

The HB Coffee Table by Brdr. Krüger is a refined tribute to Hans Bølling's iconic 1963 tray table, reimagined for contemporary living. Its minimalist, circular form embodies the essence of Danish design: simplicity, functionality, and enduring beauty. Designed in partnership with the American Hardwood Export Council, the collection highlights the unique hues and rich natural beauty of the wood. The design emphasizes the material's inherent beauty, resulting in a timeless piece meant to be cherished for generations.