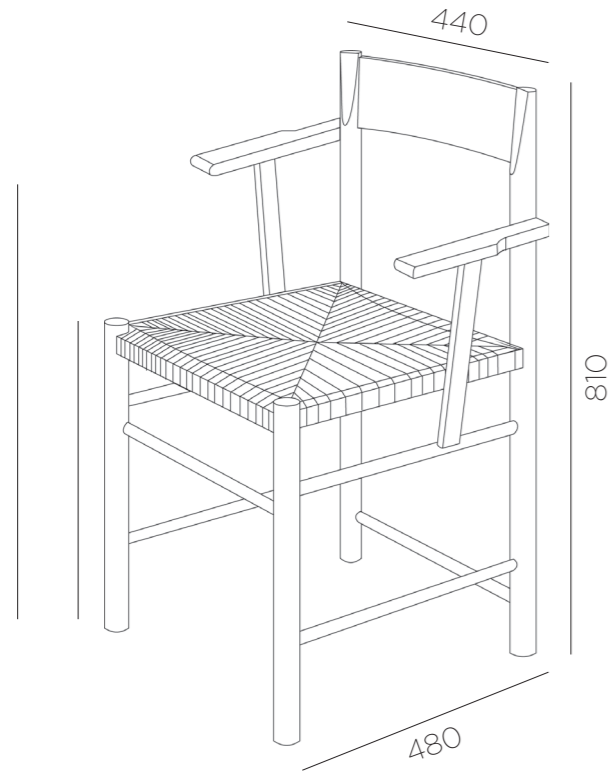


F Chair with Armrest

by Rasmus Bækkel

BRDR. KRÜGER



Oak, Oiled
FCCA-OOL-01



Oak, Oiled,
Natural Linen Webbing Seat
FCCA-OOL-11



Oak, Oiled,
Black Webbing Seat
FCCA-OOL



Fumed Oak, Oiled
FCCA-OFU-01



Fumed Oak, Oiled,
Natural Linen Webbing Seat
FCCA-OFU-04



Fumed Oak, Oiled,
Black Webbing Seat
FCCA-OFU-11

Dimensions

Height	810 mm
Width	545 mm
Seat Height	45 mm
Seat Width	470 mm
Arm Height	690 mm
Box	530 x 590 x 840 mm
Weight	5,5 kg

Responsibility

At Brdr. Krüger, sustainable product lifecycle considerations are at the heart of everything we do with focus on benefits for the environment, workers, and end-users. We source high-quality materials from certified sustainable forest management. The manufacturing processes run on low-emission hydropower and waste-to-energy solutions, achieving a near carbon-neutral effect and minimizing our reliance on fossil fuels. Our commitment to traditional craftsmanship and durable design ensures that our furniture is not only timeless but also built to last, contributing to sustainability for future generations.

Test and Certification

This chair has been tested for strength, durability, and safety through independent third-party verification in accordance with **EN Level 2, making it suitable for extreme use. The wood is sourced from sustainably managed forests and certified by PEFC through independent third-party verification.**

Meeting Regulations

The Clear Oil features a low VOC content and is fully compliant with EU regulations. This product contains no biocides, ensuring a natural and environmentally responsible finish. Worker safety is a high priority, with all processes conducted under controlled conditions in accordance with unions and national regulations.

Maintenance

Please see our Maintenance & Care instructions at

Gliders

Felt gliders installed as standard
Plastic gliders available upon request.

Variants

Available in two models: with and without armrests. Offered in various woods, finishes, colors, and hand-woven seat options, including flax webbing or paper cord.

Materials, Process and Finishing

Crafted from solid European oak, with back panel from oak veneer. The seat is handwoven using 100% flax webbing or paper cord. Assembly is carried out by hand using traditional, durable joinery techniques, ensuring lasting quality. The surfaces are sanded by hand in gradual steps to achieve a soft touch. A hand-applied Clear Oil enhances the wood's durability while preserving its natural repairability.

Fumed Oak Process

For a deeper tone, the oak undergoes a traditional fuming process, where it is exposed to a small amount of ammonia vapors in a sealed environment for 20 hours. This reaction with the wood's natural tannins enhances the grain structure and deepens the color. As a natural, non-surface-based treatment, no dyes are used, preserving the wood's authentic character. Variations in hue may occur depending on the tannin content of each piece.

Craftsmanship Statement

We support and foster the Danish cultural heritage of craftsmanship by preserving and advancing the traditional techniques nurtured in our family workshop since **This commitment reflects** both the preservation of the craft and its evolution through the integration of new techniques, innovation, and design development.

Description

The F Chair seamlessly combines design tradition with a contemporary presence, featuring subtle, meticulously crafted details. Its essential style maintains comfort, making it suitable for dining, hospitality, and meetings.