

Drip HW58-HW64 & HW111-HW114

Hee Welling

2021





HW58-HW60

Recycling & Disassembly

Drip HW58-HW60

RECYLING

The Drip table is built to last, and we hope that your Drip will serve you for many years. All parts can be separated and delivered to a suitable recycling station.

SPARE PARTS

To purchase spare parts for your Drip table, please write to our sales

with your query.

5 YEAR WARRANTY

&Tradition provides a 5-year warranty with every Drip table, which covers faults which were present at the time of purchase, or which have occurred as a result of a manufacturing defect. The warranty is valid from the date stated on the original invoice.

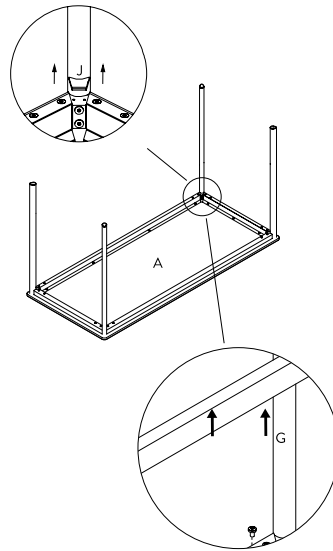
DISASSEMBLY

Step 1 / 3

Place the table upside down on a soft, flat surface.

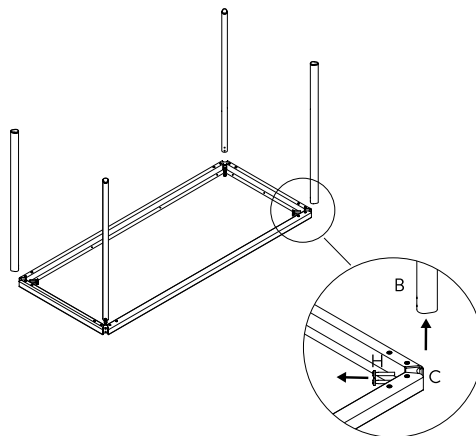
Remove the cover components (J) on each of the 4 corners.

Remove Screw (G).



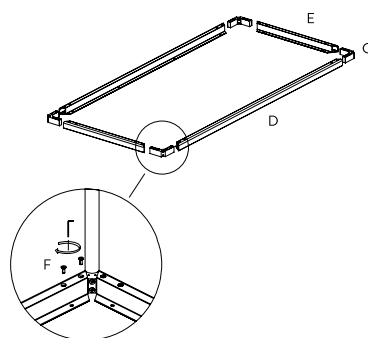
Step 2 / 3

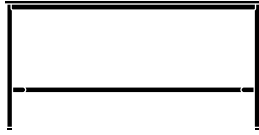
Remove the leg four legs (B) from section (C) on all corners, by screwing out screw (H).



Step 3 / 3

Remove all four corners (C) from the frame (D & E) by screwing out screw (F).





HW61-HW64 & HW111-HW114

Recycling & Disassembly

Drip HW61-HW64 & HW111-HW114

RECYCLING

The Drip table is built to last, and we hope that your Drip will serve you for many years. All parts can be separated and delivered to a suitable recycling station.

SPARE PARTS

To purchase spare parts for your Drip table, please write to our sales support team at with your query.

5 YEAR WARRANTY

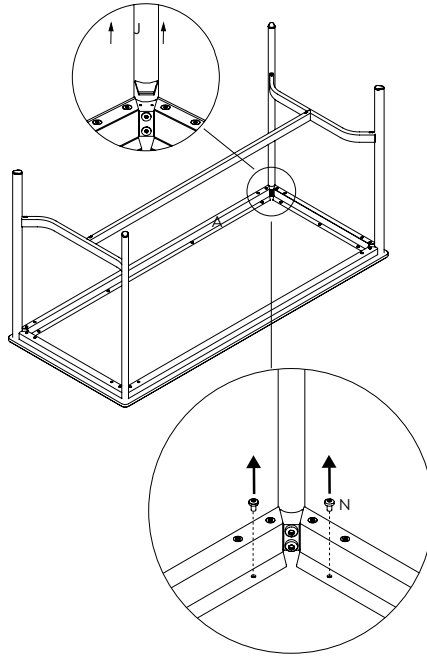
&Tradition provides a 5-year warranty with every Drip table, which covers faults which were present at the time of purchase, or which have occurred as a result of a manufacturing defect. The warranty is valid from the date stated on the original invoice.

DISASSEMBLY

Step 1 / 7

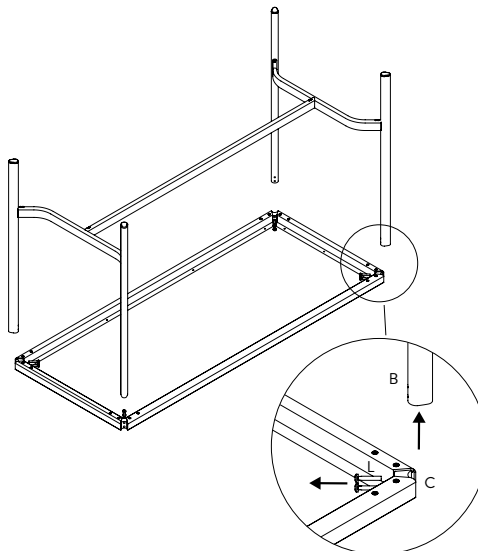
Place the high table upside down on a soft surface. Remove the cover components (J) on each of the 4 corners.

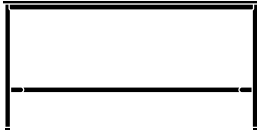
Remove the screw (N) from the frame.



Step 2 / 7

Remove the leg section and from the table and the frame by removing all 8x long button screws (C)

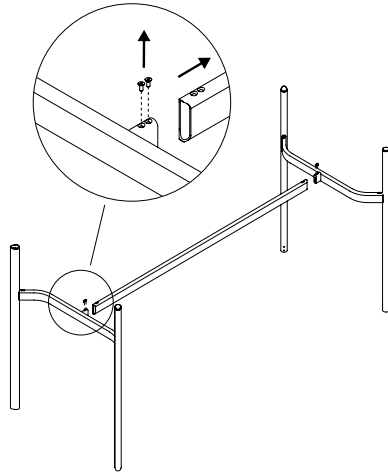




HW61-HW64 & HW111-HW114

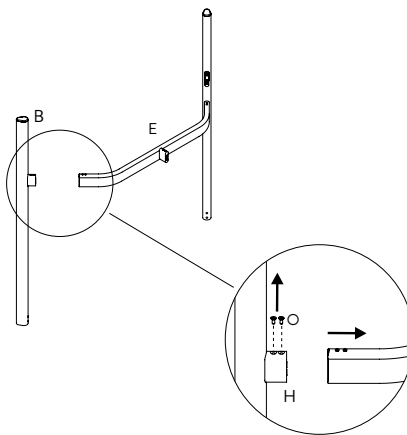
Recycling & Disassembly

Drip HW61-HW64 & HW111-HW114



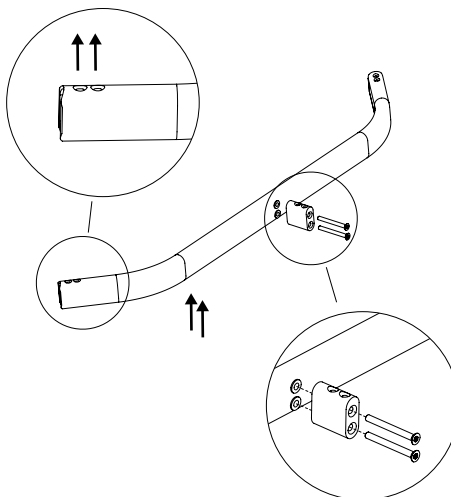
Step 3 / 7

Remove the middle crossbar from (G) by screwing out the short hex screws (O) as show in the illustration.



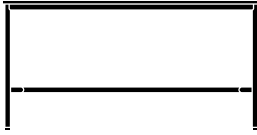
Step 4 / 7

Remove the crossbar (E) from the two legs by screwing out the short hex screws (O)



Step 5 / 7

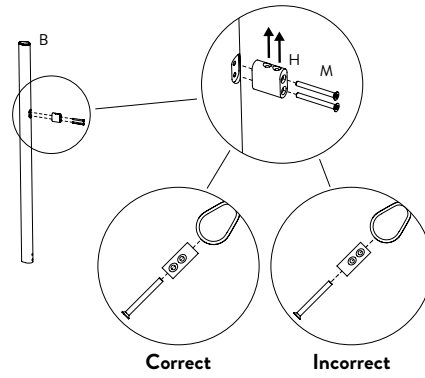
Remove one adapter (H) from the middle of each end-crossbar (E) by screwing out the long hex screw (M).



HW61-HW64 & HW111-HW114

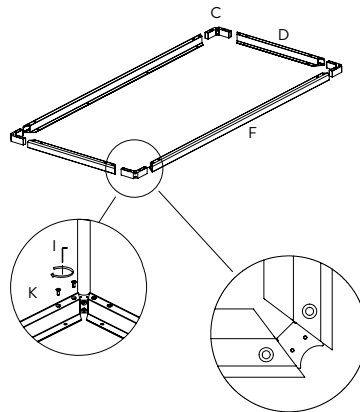
Recycling & Disassembly

Drip HW61-HW64 & HW111-HW114



Step 6 / 7

Remove one adapter (H) on each leg (B) by screwing out the long hex screws (M).



Step 7 / 7

Remove all four corners (C) from the frame (D & E) by screwing out screw (K).

Drip^{HW58} Hee Welling



HW

Product category

Table

Environment

Indoor

Production process

The frame is made from extruded, powder coated aluminium. The table top is made from MDF covered with veneer, linoleum or laminate

Material

Aluminium base, MDF table top with Fenix Nano laminate, Forbo linoleum or wood veneer. This product has not been treated with any biocides.

Table top finishes

Nero Ingo Fenix Nano Laminate (0720)
Smokey Blue Forbo Linoleum (4179)
Pearl Forbo Laminate (4157)
Castoro Ottawa Fenix Nano Laminate (0717)
Cacao Orinoco Fenix Nano Laminate (0749)
Verde Comodoro Fenix Nano Laminate (0750)
Azzurro Naxos Fenix Nano Laminate (0771)
Burgundy Forbo Linoleum (4154)

Edge band

Dark Blue Ostermann (), Glossy
Soft Yellow Rehau (78162), Glossy
Light Brown Rehau (V1272), Glossy
Grey Brown Rehau (71038), Glossy
Grey Rehau (97959), Glossy
Light Blue Rehau (77193), Glossy
Black Rehau (76490), Glossy
Red Ostermann (), Glossy

Made to order (10-12 weeks lead time):

Forbo Linoleum and Fenix Nano Laminate - all colours

All table tops and edgebands can be mixed and matched

Veneer - oak or walnut

Wood veneer is produced with a matching edgeband

Base finishes

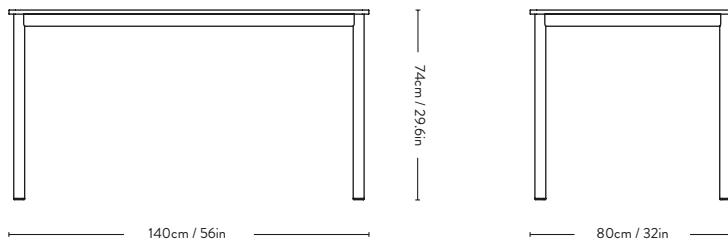
Black, Bronzed

Strength, Durability and Safety Testing

The table is tested for strength, durability and safety according to: - EN Level
- Extreme use.



Dimensions



Related products



HW59

HW60

&Tradition®



HW

Drip^{HW58} Hee Welling

Dimensions

H: 74cm/29.6in, W: 80cm/32in, D: 140cm/56in
Custom sizes are available with 6-8 weeks lead time

Package dimensions

Table top: H: 7cm/2.8in, W: 84cm/33.5in, D: 144cm/57.6in
Table frame: H: 8cm/3.2in, W: 234cm/93.6in, D: 26cm/10.4in

Colli quantity

1 pc

Weight

Product: 25 kg
Table top incl. packaging: 16.9kg
Table frame incl. packaging: 12.3kg

Gliders

Plastic gliders are installed as standard.
Castors available upon request.

Cleaning Instructions

Please download our Material Care & Cleaning Instructions through [_____](#)

→ Stock items

Nero Ingo Fenix Nano Laminate (0720) with Black or Bronzed base and produced with a matching high gloss edgeband.

Base finishes



Black



Bronzed base

Tabletop



Fenix 0720



Fenix 0717



Fenix 0749



Fenix 0750



Fenix 0771



Forbo 4179



Forbo 4157



Forbo 4154

Edgeband



Rehau



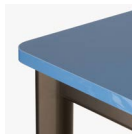
Rehau V1272



Rehau



Rehau



Rehau



Ostermann



Rehau



Ostermann
110

Stock items



→ Black /
Nero Ingo
Fenix Nano
Laminate



→ Bronzed /
Nero Ingo
Fenix Nano
Laminate

Drip^{HW59} Hee Welling



HW

Product category

Table

Environment

Indoor

Production process

The frame is made from extruded, powder coated aluminium. The table top is made from MDF covered with veneer, linoleum or laminate

Material

Aluminium base, MDF table top with Fenix Nano laminate, Forbo linoleum or wood veneer.

This product has not been treated with any biocides.

Table top finishes

Nero Ingo Fenix Nano Laminate (0720)

Smokey Blue Forbo Linoleum (4179)

Pearl Forbo Laminate (4157)

Castoro Ottawa Fenix Nano Laminate (0717)

Cacao Orinoco Fenix Nano Laminate (0749)

Verde Comodoro Fenix Nano Laminate (0750)

Azzurro Naxos Fenix Nano Laminate (0771)

Burgundy Forbo Linoleum (4154)

Edge band

Dark Blue Ostermann (), Glossy

Soft Yellow Rehau (78162), Glossy

Light Brown Rehau (V1272), Glossy

Grey Brown Rehau (71038), Glossy

Grey Rehau (97959), Glossy

Light Blue Rehau (77193), Glossy

Red Ostermann (), Glossy

Black Rehau (76490), Glossy

Made to order (10-12 weeks lead time):

Forbo Linoleum and Fenix Nano Laminate - all colours

All table tops and edgebands can be mixed and matched

Veneer - oak or walnut

Wood veneer is produced with a matching edgeband

Base finishes

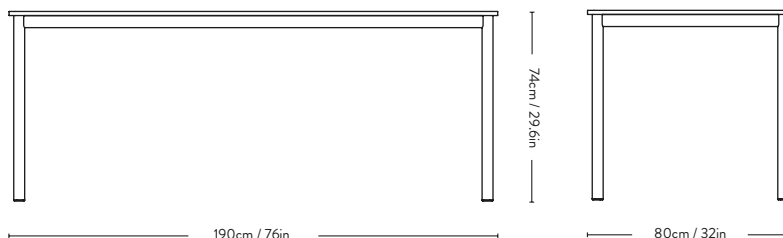
Black, Bronzed

Strength, Durability and Safety Testing

The table is tested for strength, durability and safety according to: - EN Level 2 - Extreme use.



Dimensions



Related products



HW58

HW60

&Tradition®



HW

Drip^{HW59} Hee Welling

Dimensions

H: 74cm/29.6in, W: 80cm/32in, D: 190cm/76in
Custom sizes are available with 6-8 weeks lead time

Package dimensions

Table top: H: 7cm/2.8in, W: 84cm/33.5in, D: 194cm/77.6in
Table frame: H: 8cm/3.2in, W: 234cm/93.6in, D: 26cm/10.4in

Colli quantity

1 pc

Weight

Product: 32.2 kg
Table top incl. packaging: 23.2kg
Table frame incl. packaging: 13.7kg

Gliders

Plastic gliders are installed as standard.
Castors available upon request.

Cleaning Instructions

Please download our Material Care & Cleaning Instructions through [_____](#)

→ Stock items

Nero Ingo Fenix Nano Laminate (0720) with Black or Bronzed base and produced with a matching high gloss edgeband.

Base finishes



Black



Bronzed base

Tabletop



Fenix 0720



Fenix 0717



Fenix 0749



Fenix 0750



Fenix 0771



Forbo 4179



Forbo 4157



Forbo 4154

Edgeband



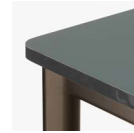
Rehau



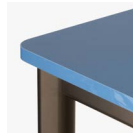
Rehau V1272



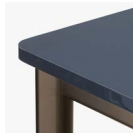
Rehau



Rehau



Rehau



Ostermann



Rehau



Ostermann
110

Stock items



→ Black /
Nero Ingo
Fenix Nano
Laminate



→ Bronzed /
Nero Ingo
Fenix Nano
Laminate

Drip^{HW60} Hee Welling



HW

Product category

Table

Environment

Indoor

Production process

The frame is made from extruded, powder coated aluminium. The table top is made from MDF covered with veneer, linoleum or laminate

Material

Aluminium base, MDF table top with Fenix Nano laminate, Forbo linoleum or wood veneer.

This product has not been treated with any biocides.

Table top finishes

Nero Ingo Fenix Nano Laminate (0720)

Smokey Blue Forbo Linoleum (4179)

Pearl Forbo Laminate (4157)

Castoro Ottawa Fenix Nano Laminate (0717)

Cacao Orinoco Fenix Nano Laminate (0749)

Verde Comodoro Fenix Nano Laminate (0750)

Azzurro Naxos Fenix Nano Laminate (0771)

Burgundy Forbo Linoleum (4154)

Edge band

Dark Blue Ostermann (), Glossy

Soft Yellow Rehau (78162), Glossy

Light Brown Rehau (V1272), Glossy

Grey Brown Rehau (71038), Glossy

Grey Rehau (97959), Glossy

Light Blue Rehau (77193), Glossy

Red Ostermann (), Glossy

Black Rehau (76490), Glossy

Made to order (10-12 weeks lead time):

Forbo Linoleum and Fenix Nano Laminate - all colours

All table tops and edgebands can be mixed and matched

Veneer - oak or walnut

Wood veneer is produced with a matching edgeband

Base finishes

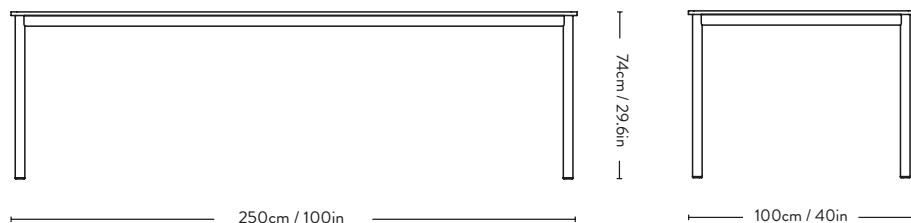
Black, Bronzed

Strength, Durability and Safety Testing

The table is tested for strength, durability and safety according to: - EN Level 2 - Extreme use.



Dimensions



Related products



HW58

HW59

&Tradition®



HW

Drip^{HW60} Hee Welling

Dimensions

H: 74cm/29.6in, W: 100cm/40in, D:

250cm/100in

Custom sizes are available with 6-8 weeks lead time

Package dimensions

Table top: H: 7cm/2.8in, W: 104cm/41.6in,

D: 254cm/101.6in

Table frame: H: 8cm/3.2in, W: 258cm/103.2in,

D: 26cm/10.4in

Colli quantity

1 pc

Weight

Product: 49kg,

Table top incl. packaging: 39.4kg

Table frame incl. packaging: 16kg

Gliders

Plastic gliders are installed as standard.

Castors available upon request.

Cleaning Instructions

Please download our [Material Care & Cleaning Instructions](#) through [_____](#)

→ Stock items

Nero Ingo Fenix Nano Laminate (0720) with Black or Bronzed base and produced with a matching high gloss edgeband.

Base finishes



Black



Bronzed base

Tabletop



Fenix 0720



Fenix 0717



Fenix 0749



Fenix 0750



Fenix 0771



Forbo 4179



Forbo 4157



Forbo 4154

Edgeband



Rehau



Rehau V1272



Rehau



Rehau



Rehau



Ostermann



Rehau



Ostermann
110

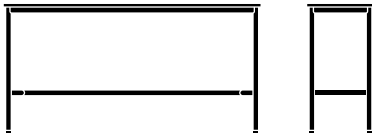
Stock items



→ Black /
Nero Ingo
Fenix Nano
Laminate



→ Bronzed /
Nero Ingo
Fenix Nano
Laminate



HW

Drip^{HW61} Hee Welling

Product category

Counter table

Environment

Indoor

Material

Aluminium base, MDF table top with Fenix Nano laminate, Forbo linoleum or wood veneer. This product has not been treated with any biocides.

Production process

The frame is made from extruded, powder coated aluminium. The table top is made from MDF covered with veneer, linoleum or laminate.

Table top finishes

Nero Ingo Fenix Nano Laminate (0720)
Smokey Blue Forbo Linoleum (4179)
Pearl Forbo Laminate (4157)
Castoro Ottawa Fenix Nano Laminate (0717)
Cacao Orinoco Fenix Nano Laminate (0749)
Verde Comodoro Fenix Nano Laminate (0750)
Azzurro Naxos Fenix Nano Laminate (0771)
Burgundy Forbo Linoleum (4154)

Edge band

Dark Blue Ostermann (), Glossy
Soft Yellow Rehau (78162), Glossy
Light Brown Rehau (V1272), Glossy
Grey Brown Rehau (71038), Glossy
Grey Rehau (97959), Glossy
Light Blue Rehau (77193), Glossy
Black Rehau (76490), Glossy
Red Ostermann (), Glossy

Made to order (10-12 weeks lead time):

Forbo Linoleum and Fenix Nano Laminate - all colours

All table tops and edgebands can be mixed and matched

Veneer - oak or walnut

Wood veneer is produced with a matching edgeband

Base finishes

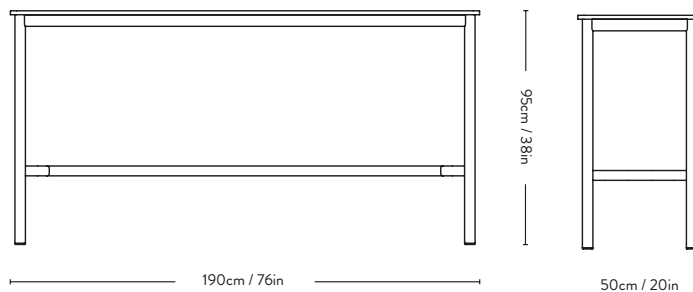
Black, Bronzed

Strength, Durability and Safety Testing

The table is tested for strength, durability and safety according to: - EN Level 2 - Extreme use.



Dimensions



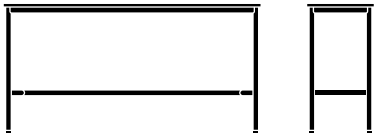
Related products



HW58

HW60

&Tradition[®]



HW

Drip^{HW61} Hee Welling

Dimensions

H: 95cm/37.4in, W: 50cm/19.7, D: 190cm/74.8in

Package dimensions

Table top: H: 7cm/2.8in, W: 54cm/21.3in,

D: 194cm/76.4in

Table frame: H: 16cm/6.3in, W: 184cm/72.4in,

D: 27cm/10.6in

Colli quantity

1 pc

Weight

Product: 27.8kg,

Table top incl. packaging: 13.9kg,

Table frame incl. packaging: 19.9kg

Gliders

Plastic gliders are installed as standard.

Castors available upon request.

Cleaning Instructions

Please download our Material Care & Cleaning Instructions through [_____](#)

→ Stock items

Nero Ingo Fenix Nano Laminate (0720) with Black or Bronzed base and produced with a matching high gloss edgeband.

Base finishes



Black



Bronzed base

Tabletop



Fenix 0720



Fenix 0717



Fenix 0749



Fenix 0750



Fenix 0771



Forbo 4179



Forbo 4157



Forbo 4154

Edgeband



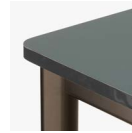
Rehau



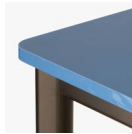
Rehau V1272



Rehau



Rehau



Rehau



Ostermann



Rehau



Ostermann
110

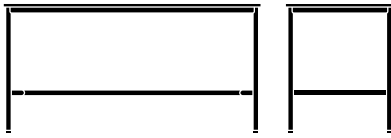
Stock items



→ Black /
Nero Ingo
Fenix Nano
Laminate



→ Bronzed /
Nero Ingo
Fenix Nano
Laminate



HW

Drip^{HW62} Hee Welling

Product category

Counter table

Environment

Indoor

Material

Aluminium base, MDF table top with Fenix Nano laminate, Forbo linoleum or wood veneer. This product has not been treated with any biocides.

Production process

The frame is made from extruded, powder coated aluminium. The table top is made from MDF covered with veneer, linoleum or laminate.

Table top finishes

Nero Ingo Fenix Nano Laminate (0720)
Smokey Blue Forbo Linoleum (4179)
Pearl Forbo Laminate (4157)
Castoro Ottawa Fenix Nano Laminate (0717)
Cacao Orinoco Fenix Nano Laminate (0749)
Verde Comodoro Fenix Nano Laminate (0750)
Azzurro Naxos Fenix Nano Laminate (0771)
Burgundy Forbo Linoleum (4154)

Edge band

Dark Blue Ostermann (), Glossy
Soft Yellow Rehau (78162), Glossy
Light Brown Rehau (V1272), Glossy
Grey Brown Rehau (71038), Glossy
Grey Rehau (97959), Glossy
Light Blue Rehau (77193), Glossy
Black Rehau (76490), Glossy
Red Ostermann (), Glossy

Made to order (10-12 weeks lead time):

Forbo Linoleum and Fenix Nano Laminate
- all colours

All table tops and edgebands can be mixed and matched

Veneer - oak or walnut

Wood veneer is produced with a matching edgeband

Base finishes

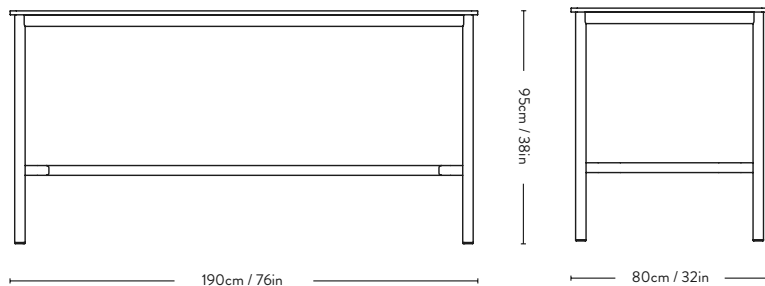
Black, Bronzed

Strength, Durability and Safety Testing

The table is tested for strength, durability and safety according to: - EN Level 2 - Extreme use.



Dimensions



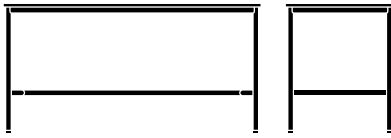
Related products



HW58

HW59

&Tradition[®]



HW

Drip^{HW62} Hee Welling

Dimensions

H: 95cm/37.4in, W: 80cm/31.5, D:190cm/74.8in

Package dimensions

Table top: H: 7cm/2.8in, W: 84cm/33.1in,

D: 194cm/76.4in

Table frame: H: 16cm/6.3in, W: 184cm/72.4in,

D: 27cm/10.6in

Colli quantity

1 pc

Weight

Product: 37.6kg,

Table top incl. packaging: 23.2kg,

Table frame incl. packaging: 21.7kg

Gliders

Plastic gliders are installed as standard.

Castors available upon request.

Cleaning Instructions

Please download our Material Care & Cleaning Instructions through [_____](#)

→ Stock items

Nero Ingo Fenix Nano Laminate (0720) with Black or Bronzed base and produced with a matching high gloss edgeband.

Base finishes



Black



Bronzed base

Tabletop



Fenix 0720



Fenix 0717



Fenix 0749



Fenix 0750



Fenix 0771



Forbo 4179



Forbo 4157



Forbo 4154

Edgeband



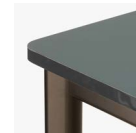
Rehau



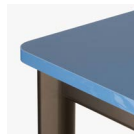
Rehau V1272



Rehau



Rehau



Rehau



Ostermann



Rehau



Ostermann
110

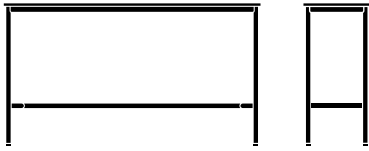
Stock items



→ Black /
Nero Ingo
Fenix Nano
Laminate



→ Bronzed /
Nero Ingo
Fenix Nano
Laminate



HW

Drip^{HW63} Hee Welling

Product category

Bar table

Environment

Indoor

Material

Aluminium base, MDF table top with Fenix Nano laminate, Forbo linoleum or wood veneer. This product has not been treated with any biocides.

Production process

The frame is made from extruded, powder coated aluminium. The table top is made from MDF covered with veneer, linoleum or laminate.

Table top finishes

Nero Ingo Fenix Nano Laminate (0720)
Smokey Blue Forbo Linoleum (4179)
Pearl Forbo Laminate (4157)
Castoro Ottawa Fenix Nano Laminate (0717)
Cacao Orinoco Fenix Nano Laminate (0749)
Verde Comodoro Fenix Nano Laminate (0750)
Azzurro Naxos Fenix Nano Laminate (0771)
Burgundy Forbo Linoleum (4154)

Edge band

Dark Blue Ostermann (), Glossy
Soft Yellow Rehau (78162), Glossy
Light Brown Rehau (V1272), Glossy
Grey Brown Rehau (71038), Glossy
Grey Rehau (97959), Glossy
Light Blue Rehau (77193), Glossy
Black Rehau (76490), Glossy
Red Ostermann (), Glossy

Made to order (10-12 weeks lead time):

Forbo Linoleum and Fenix Nano Laminate - all colours

All table tops and edgebands can be mixed and matched

Veneer - oak or walnut

Wood veneer is produced with a matching edgeband

Base finishes

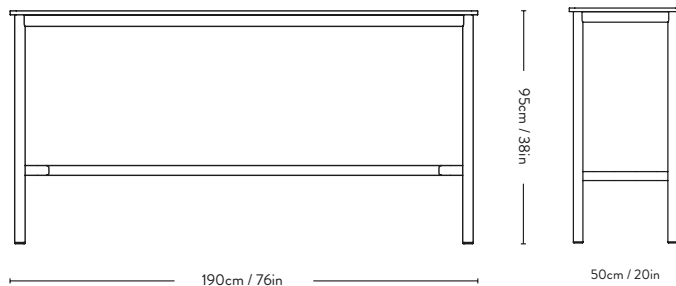
Black, Bronzed

Strength, Durability and Safety Testing

The table is tested for strength, durability and safety according to: - EN Level 2 - Extreme use.



Dimensions



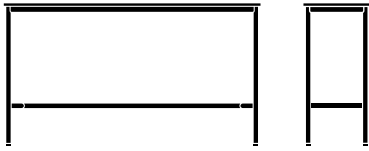
Related products



HW58

HW59

&Tradition[®]



HW

Drip^{HW63} Hee Welling

Dimensions

H: 105cm/41.3in, W: 50cm/19.7, D: 190cm/74.8in

Package dimensions

Table top: H: 7cm/2.8in, W: 54cm/21.3in,

D: 194cm/76.4in

Table frame: H: 16cm/6.3in, W: 184cm/72.4in,

D: 27cm/10.6in

Colli quantity

1 pc

Weight

Product: 26.8kg,

Table top incl. packaging: 13.9kg,

Table frame incl. packaging: 20.2kg

Gliders

Plastic gliders are installed as standard.

Castors available upon request.

Cleaning Instructions

Please download our Material Care & Cleaning Instructions through [_____](#)

→ Stock items

Nero Ingo Fenix Nano Laminate (0720) with Black or Bronzed base and produced with a matching high gloss edgeband.

Base finishes



Black



Bronzed base

Tabletop



Fenix 0720



Fenix 0717



Fenix 0749



Fenix 0750



Fenix 0771



Forbo 4179



Forbo 4157



Forbo 4154

Edgeband



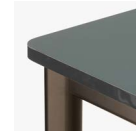
Rehau



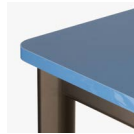
Rehau V1272



Rehau



Rehau



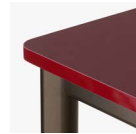
Rehau



Ostermann



Rehau



Ostermann
110

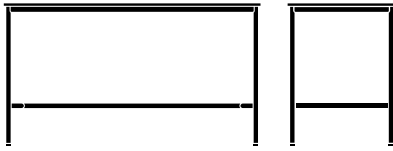
Stock items



→ Black /
Nero Ingo
Fenix Nano
Laminate



→ Bronzed /
Nero Ingo
Fenix Nano
Laminate



HW

Drip^{HW64} Hee Welling

Product category

Bar table

Environment

Indoor

Material

Aluminium base, MDF table top with Fenix Nano laminate, Forbo linoleum or wood veneer. This product has not been treated with any biocides.

Production process

The frame is made from extruded, powder coated aluminium. The table top is made from MDF covered with veneer, linoleum or laminate.

Table top finishes

Nero Ingo Fenix Nano Laminate (0720)
Smokey Blue Forbo Linoleum (4179)
Pearl Forbo Laminate (4157)
Castoro Ottawa Fenix Nano Laminate (0717)
Cacao Orinoco Fenix Nano Laminate (0749)
Verde Comodoro Fenix Nano Laminate (0750)
Azzurro Naxos Fenix Nano Laminate (0771)
Burgundy Forbo Linoleum (4154)

Edge band

Dark Blue Ostermann (), Glossy
Soft Yellow Rehau (78162), Glossy
Light Brown Rehau (V1272), Glossy
Grey Brown Rehau (71038), Glossy
Grey Rehau (97959), Glossy
Light Blue Rehau (77193), Glossy
Black Rehau (76490), Glossy
Red Ostermann (), Glossy

Made to order (10-12 weeks lead time):

Forbo Linoleum and Fenix Nano Laminate - all colours

All table tops and edgebands can be mixed and matched

Veneer - oak or walnut

Wood veneer is produced with a matching edgeband

Base finishes

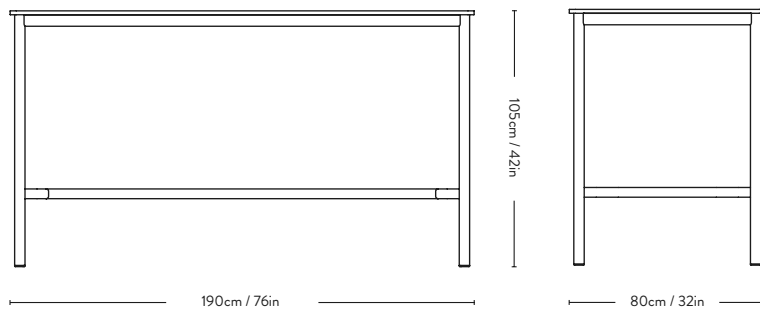
Black, Bronzed

Strength, Durability and Safety Testing

The table is tested for strength, durability and safety according to: - EN Level 2 - Extreme use.



Dimensions



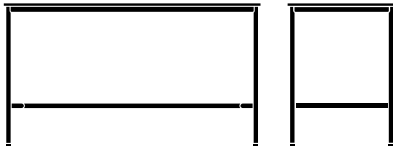
Related products



HW58

HW59

&Tradition[®]



HW

Drip^{HW64} Hee Welling

Dimensions

H: 105cm/41.3in, W: 80cm/31.5, D: 190cm/74.8in

Package dimensions

Table top: H: 7cm/2.8in, W: 84cm/33.1in,
D: 194cm/76.4in

Table frame: H: 16cm/6.3in, W: 184cm/72.4in,
D: 27cm/10.6in

Colli quantity

1 pc

Weight

Product: 37.9kg,

Table top incl. packaging: 23.2kg,

Table fram incl. packaging: 22kg

Gliders

Plastic gliders are installed as standard.

Castors available upon request.

Table top finishes

Nero Ingo Fenix Nano Laminate (0720)

Made to order (6-8 weeks lead time):

Linoleum - all colours

Nano Laminate - all colours

Veneer - oak or walnut

Cleaning Instructions

Please download our [Material Care & Cleaning Instructions](#) through [_____](#)

→ Stock items

Nero Ingo Fenix Nano Laminate (0720) with Black or Bronzed base and produced with a matching high gloss edgeband.

Base finishes



Black



Bronzed base

Tabletop



Fenix 0720



Fenix 0717



Fenix 0749



Fenix 0750



Fenix 0771



Forbo 4179



Forbo 4157



Forbo 4154

Edgeband



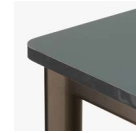
Rehau



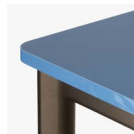
Rehau V1272



Rehau



Rehau



Rehau



Ostermann



Rehau



Ostermann
110

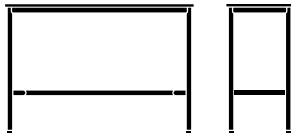
Stock items



→ Black /
Nero Ingo
Fenix Nano
Laminate



→ Bronzed /
Nero Ingo
Fenix Nano
Laminate



HW

Drip^{HW111} Hee Welling

Product category

Counter table

Environment

Indoor

Material

Aluminium base, MDF table top with Fenix Nano laminate, Forbo linoleum or wood veneer. This product has not been treated with any biocides.

Production process

The frame is made from extruded, powder coated aluminium. The table top is made from MDF covered with veneer, linoleum or laminate.

Table top finishes

Nero Ingo Fenix Nano Laminate (0720)
Smokey Blue Forbo Linoleum (4179)
Pearl Forbo Laminate (4157)
Castoro Ottawa Fenix Nano Laminate (0717)
Cacao Orinoco Fenix Nano Laminate (0749)
Verde Comodoro Fenix Nano Laminate (0750)
Azzurro Naxos Fenix Nano Laminate (0771)
Burgundy Forbo Linoleum (4154)

Edge band

Dark Blue Ostermann (), Glossy
Soft Yellow Rehau (78162), Glossy
Light Brown Rehau (V1272), Glossy
Grey Brown Rehau (71038), Glossy
Grey Rehau (97959), Glossy
Light Blue Rehau (77193), Glossy
Black Rehau (76490), Glossy
Red Ostermann (), Glossy

Made to order (10-12 weeks lead time):

Forbo Linoleum and Fenix Nano Laminate - all colours

All table tops and edgebands can be mixed and matched

Veneer - oak or walnut

Wood veneer is produced with a matching edgeband

Base finishes

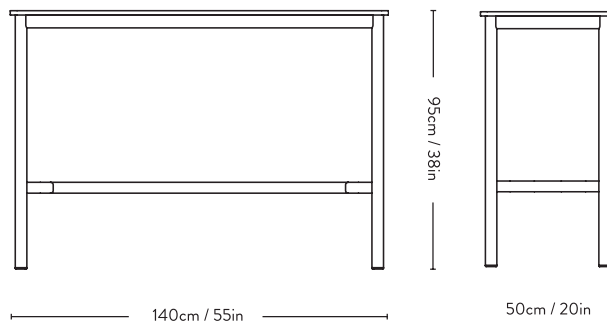
Black, Bronzed

Strength, Durability and Safety Testing

The table is tested for strength, durability and safety according to: - EN Level 2 - Extreme use.



Dimensions



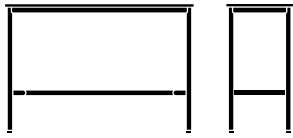
Related products



HW58

HW113

&Tradition[®]



HW

Drip^{HW111} Hee Welling

Dimensions

H: 95cm/37.4in, W: 50cm/19.7, D:140cm/55.1in

Package dimensions

Table top: H: 7cm/2.8in, W: 54cm/21.3in,

D: 144cm/56.7in

Table frame: H: 16cm/6.3in, W: 184cm/72.4in,

D: 27cm/10.6in

Colli quantity

1 pc

Weight

Product: 22.9kg,

Table top incl. packaging: 10.3kg,

Table frame incl. packaging: 17.8kg

Gliders

Plastic gliders are installed as standard.

Castors available upon request.

Cleaning Instructions

Please download our Material Care & Cleaning Instructions through [_____](#)

→ Stock items

Nero Ingo Fenix Nano Laminate (0720) with Black or Bronzed base and produced with a matching high gloss edgeband.

Base finishes



Black



Bronzed base

Tabletop



Fenix 0720



Fenix 0717



Fenix 0749



Fenix 0750



Fenix 0771



Forbo 4179



Forbo 4157



Forbo 4154

Edgeband



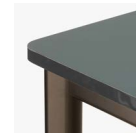
Rehau



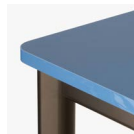
Rehau V1272



Rehau



Rehau



Rehau



Ostermann



Rehau



Ostermann
110

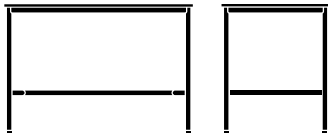
Stock items



→ Black /
Nero Ingo
Fenix Nano
Laminate



→ Bronzed /
Nero Ingo
Fenix Nano
Laminate



HW

Drip^{HW112} Hee Welling

Product category

Counter table

Environment

Indoor

Material

Aluminium base, MDF table top with Fenix Nano laminate, Forbo linoleum or wood veneer. This product has not been treated with any biocides.

Production process

The frame is made from extruded, powder coated aluminium. The table top is made from MDF covered with veneer, linoleum or laminate.

Table top finishes

Nero Ingo Fenix Nano Laminate (0720)
Smokey Blue Forbo Linoleum (4179)
Pearl Forbo Laminate (4157)
Castoro Ottawa Fenix Nano Laminate (0717)
Cacao Orinoco Fenix Nano Laminate (0749)
Verde Comodoro Fenix Nano Laminate (0750)
Azzurro Naxos Fenix Nano Laminate (0771)
Burgundy Forbo Linoleum (4154)

Edge band

Dark Blue Ostermann (), Glossy
Soft Yellow Rehau (78162), Glossy
Light Brown Rehau (V1272), Glossy
Grey Brown Rehau (71038), Glossy
Grey Rehau (97959), Glossy
Light Blue Rehau (77193), Glossy
Black Rehau (76490), Glossy
Red Ostermann (), Glossy

Made to order (10-12 weeks lead time):

Forbo Linoleum and Fenix Nano Laminate - all colours

All table tops and edgebands can be mixed and matched

Veneer - oak or walnut

Wood veneer is produced with a matching edgeband

Base finishes

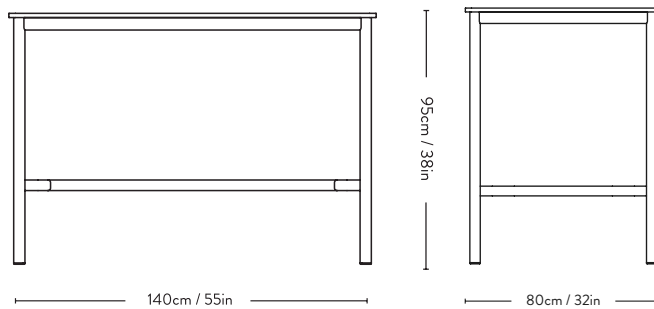
Black, Bronzed

Strength, Durability and Safety Testing

The table is tested for strength, durability and safety according to: - EN Level 2 - Extreme use.



Dimensions



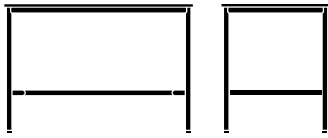
Related products



HW58

HW61

&Tradition[®]



HW

Drip^{HW112} Hee Welling

Dimensions

H: 95cm/37.4in, W: 80cm/31.5, D:140cm/55.12in

Package dimensions

Table top: H: 7cm/2.8in, W: 84cm/33.1in,

D: 144cm/56.7in

Table frame: H: 16cm/6.3in, W: 184cm/72.4in,

D: 27cm/10.6in

Colli quantity

1 pc

Weight

Product: 30.2kg,

Table top incl. packaging: 16.9kg,

Table frame incl. packaging: 19.8kg

Gliders

Plastic gliders are installed as standard.

Castors available upon request.

Cleaning Instructions

Please download our Material Care & Cleaning Instructions through [_____](#)

→ Stock items

Nero Ingo Fenix Nano Laminate (0720) with Black or Bronzed base and produced with a matching high gloss edgeband.

Base finishes



Black



Bronzed base

Tabletop



Fenix 0720



Fenix 0717



Fenix 0749



Fenix 0750



Fenix 0771



Forbo 4179



Forbo 4157



Forbo 4154

Edgeband



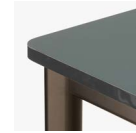
Rehau



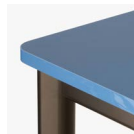
Rehau V1272



Rehau



Rehau



Rehau



Ostermann



Rehau



Ostermann
110

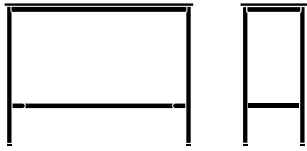
Stock items



→ Black /
Nero Ingo
Fenix Nano
Laminate



→ Bronzed /
Nero Ingo
Fenix Nano
Laminate



HW

Drip^{HW113} Hee Welling

Product category

Bar table

Environment

Indoor

Material

Aluminium base, MDF table top with Fenix Nano laminate, Forbo linoleum or wood veneer. This product has not been treated with any biocides.

Production process

The frame is made from extruded, powder coated aluminium. The table top is made from MDF covered with veneer, linoleum or laminate.

Table top finishes

Nero Ingo Fenix Nano Laminate (0720)
Smokey Blue Forbo Linoleum (4179)
Pearl Forbo Laminate (4157)
Castoro Ottawa Fenix Nano Laminate (0717)
Cacao Orinoco Fenix Nano Laminate (0749)
Verde Comodoro Fenix Nano Laminate (0750)
Azzurro Naxos Fenix Nano Laminate (0771)
Burgundy Forbo Linoleum (4154)

Edge band

Dark Blue Ostermann (), Glossy
Soft Yellow Rehau (78162), Glossy
Light Brown Rehau (V1272), Glossy
Grey Brown Rehau (71038), Glossy
Grey Rehau (97959), Glossy
Light Blue Rehau (77193), Glossy
Black Rehau (76490), Glossy
Red Ostermann (), Glossy

Made to order (10-12 weeks lead time):

Forbo Linoleum and Fenix Nano Laminate - all colours

All table tops and edgebands can be mixed and matched

Veneer - oak or walnut

Wood veneer is produced with a matching edgeband

Base finishes

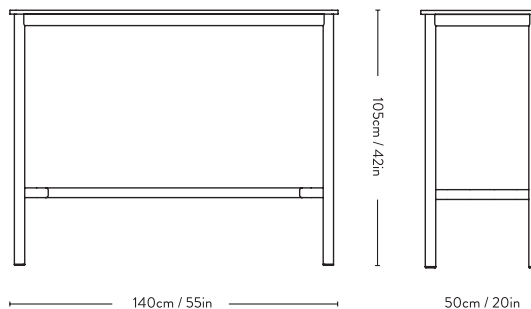
Black, Bronzed

Strength, Durability and Safety Testing

The table is tested for strength, durability and safety according to: - EN Level 2 - Extreme use.



Dimensions



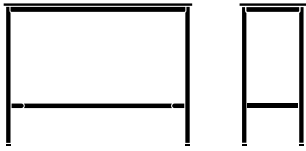
Related products



HW58

HW61

&Tradition[®]



HW

Drip^{HW113} Hee Welling

Dimensions

H: 105cm/41.3in, W: 50cm/19.7, D: 140cm/55.1in

Package dimensions

Table top: H: 7cm/2.8in, W: 54cm/21.3in,

D: 144cm/56.7in

Table frame: H: 16cm/6.3in, W: 184cm/72.4in,

D: 27cm/10.6in

Colli quantity

1 pc

Weight

Product: 23.4kg,

Table top incl. packaging: 10.3kg,

Table frame incl. packaging: 18.3kg

Gliders

Plastic gliders are installed as standard.

Castors available upon request.

Cleaning Instructions

Please download our Material Care & Cleaning Instructions through [_____](#)

→ Stock items

Nero Ingo Fenix Nano Laminate (0720) with Black or Bronzed base and produced with a matching high gloss edgeband.

Base finishes



Black



Bronzed base

Tabletop



Fenix 0720



Fenix 0717



Fenix 0749



Fenix 0750



Fenix 0771



Forbo 4179



Forbo 4157



Forbo 4154

Edgeband



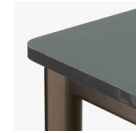
Rehau



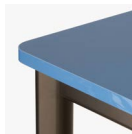
Rehau V1272



Rehau



Rehau



Rehau



Ostermann



Rehau



Ostermann
110

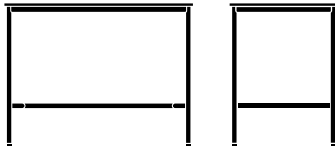
Stock items



→ Black /
Nero Ingo
Fenix Nano
Laminate



→ Bronzed /
Nero Ingo
Fenix Nano
Laminate



HW

Drip^{HW114} Hee Welling

Product category

Bar table

Environment

Indoor

Material

Aluminium base, MDF table top with Fenix Nano laminate, Forbo linoleum or wood veneer. This product has not been treated with any biocides.

Production process

The frame is made from extruded, powder coated aluminium. The table top is made from MDF covered with veneer, linoleum or laminate.

Table top finishes

Nero Ingo Fenix Nano Laminate (0720)
Smokey Blue Forbo Linoleum (4179)
Pearl Forbo Laminate (4157)
Castoro Ottawa Fenix Nano Laminate (0717)
Cacao Orinoco Fenix Nano Laminate (0749)
Verde Comodoro Fenix Nano Laminate (0750)
Azzurro Naxos Fenix Nano Laminate (0771)
Burgundy Forbo Linoleum (4154)

Edge band

Dark Blue Ostermann (), Glossy
Soft Yellow Rehau (78162), Glossy
Light Brown Rehau (V1272), Glossy
Grey Brown Rehau (71038), Glossy
Grey Rehau (97959), Glossy
Light Blue Rehau (77193), Glossy
Black Rehau (76490), Glossy
Red Ostermann (), Glossy

Made to order (10-12 weeks lead time):

Forbo Linoleum and Fenix Nano Laminate - all colours

All table tops and edgebands can be mixed and matched

Veneer - oak or walnut

Wood veneer is produced with a matching edgeband

Base finishes

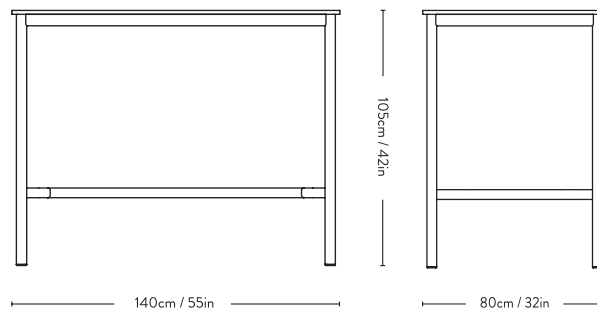
Black, Bronzed

Strength, Durability and Safety Testing

The table is tested for strength, durability and safety according to: - EN Level 2 - Extreme use.



Dimensions



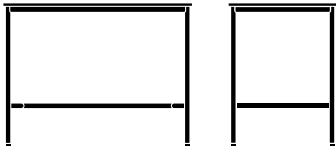
Related products



HW58

HW59

&Tradition®



HW

Drip^{HW114} Hee Welling

Dimensions

H: 105cm/41.3in, W: 80cm/31.5, D: 140cm/55.1in

Package dimensions

Table top: H: 7cm/2.8in, W: 84cm/33.1in,

D: 144cm/56.7in

Table frame: H: 16cm/6.3in, W: 184cm/72.4in,

D: 27cm/10.6in

Colli quantity

1 pc

Weight

Product: 30.3kg,

Table top incl. packaging: 16.9kg,

Table frame incl. packaging: 19.9kg

Gliders

Plastic gliders are installed as standard.

Castors available upon request.

Cleaning Instructions

Please download our Material Care & Cleaning Instructions through [_____](#)

→ Stock items

Nero Ingo Fenix Nano Laminate (0720) with Black or Bronzed base and produced with a matching high gloss edgeband.

Base finishes



Black



Bronzed base

Tabletop



Fenix 0720



Fenix 0717



Fenix 0749



Fenix 0750



Fenix 0771



Forbo 4179



Forbo 4157



Forbo 4154

Edgeband



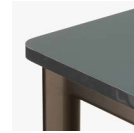
Rehau



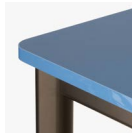
Rehau V1272



Rehau



Rehau



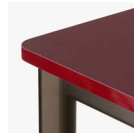
Rehau



Ostermann



Rehau



Ostermann
110

Stock items



→ Black /
Nero Ingo
Fenix Nano
Laminate



→ Bronzed /
Nero Ingo
Fenix Nano
Laminate