

Drip HW58-HW64 & HW111-HW114

Hee Welling

2021





HW58-HW60

# Recycling & Disassembly

Drip HW58-HW60

## RECYLING

The Drip table is built to last, and we hope that your Drip will serve you for many years. All parts can be separated and delivered to a suitable recycling station.

## SPARE PARTS

To purchase spare parts for your Drip table, please write to our sales

with your query.

## 5 YEAR WARRANTY

&Tradition provides a 5-year warranty with every Drip table, which covers faults which were present at the time of purchase, or which have occurred as a result of a manufacturing defect. The warranty is valid from the date stated on the original invoice.

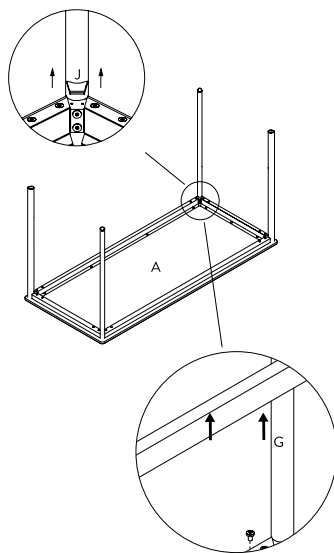
## DISASSEMBLY

### Step 1 / 3

Place the table upside down on a soft, flat surface.

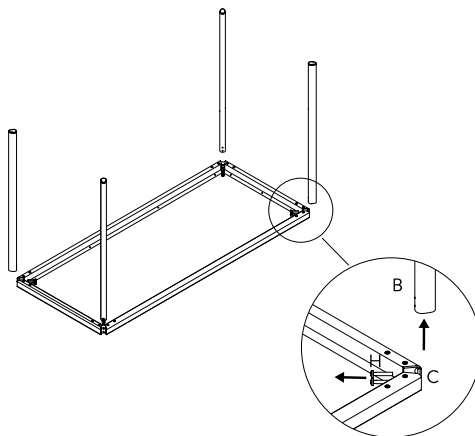
Remove the cover components (J) on each of the 4 corners.

Remove Screw (G).



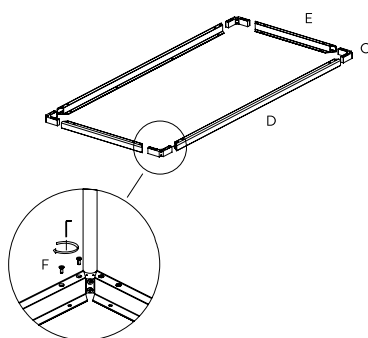
### Step 2 / 3

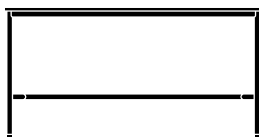
Remove the leg four legs (B) from section (C) on all corners, by screwing out screw (H).



### Step 3 / 3

Rmove all four corners (C) from the frame (D & E) by screwing out screw (F).





HW61-HW64 & HW111-HW114

# Recycling & Disassembly

Drip HW61-HW64 & HW111-HW114

## RECYLING

The Drip table is built to last, and we hope that your Drip will serve you for many years. All parts can be separated and delivered to a suitable recycling station.

## SPARE PARTS

To purchase spare parts for your Drip table, please write to our sales support team at with your query.

## 5 YEAR WARRANTY

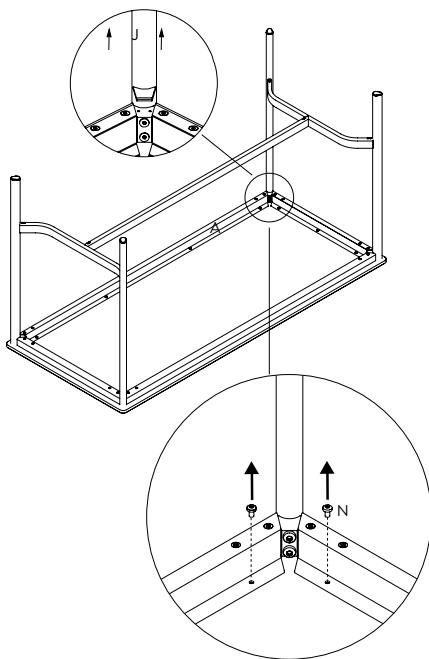
&Tradition provides a 5-year warranty with every Drip table, which covers faults which were present at the time of purchase, or which have occurred as a result of a manufacturing defect. The warranty is valid from the date stated on the original invoice.

## DISASSEMBLY

### Step 1 / 7

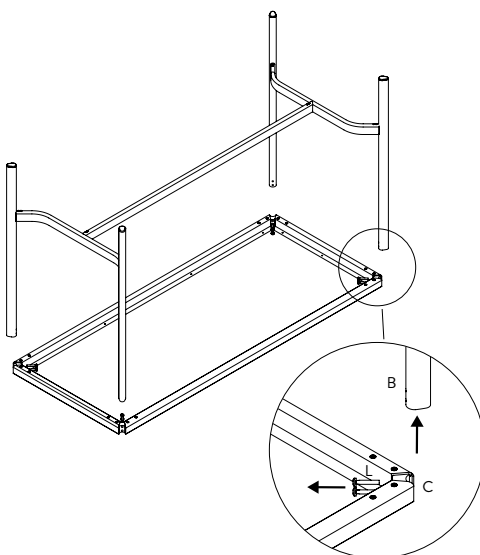
Place the high table upside down on a soft surface. Remove the cover components (J) on each of the 4 corners.

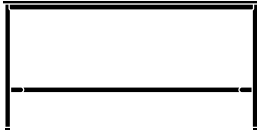
Remove the screw (N) from the frame.



### Step 2 / 7

Remove the leg section and from the table and the frame by removing all 8x long button screws (C)

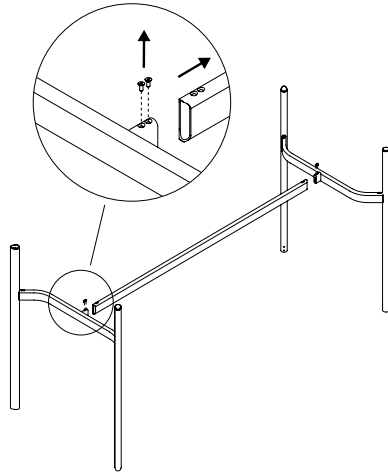




HW61-HW64 & HW111-HW114

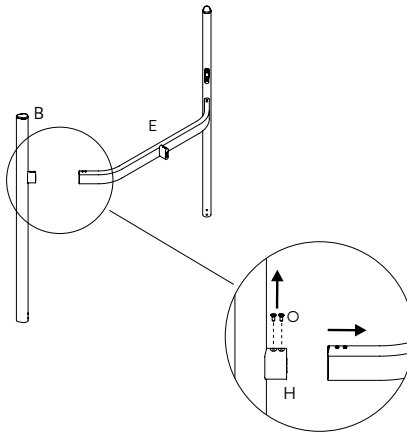
# Recycling & Disassembly

Drip HW61-HW64 & HW111-HW114



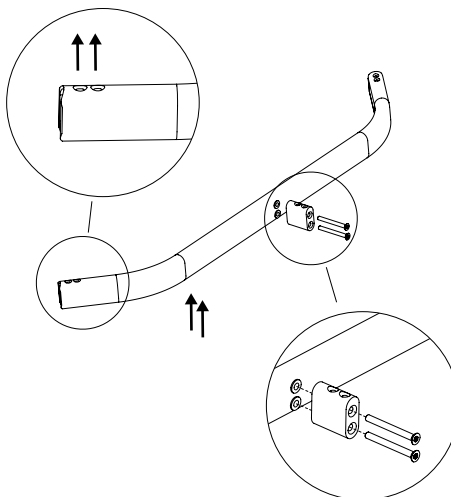
## Step 3 / 7

Remove the middle crossbar from (G) by screwing out the short hex screws (O) as show in the illustration.



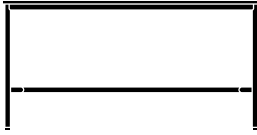
## Step 4 / 7

Remove the crossbar (E) from the two legs by screwing out the short hex screws (O)



## Step 5 / 7

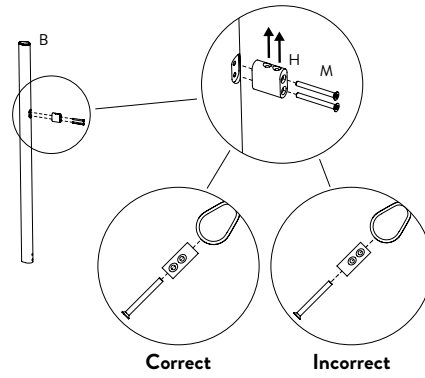
Remove one adapter (H) from the middle of each end-crossbar (E) by screwing out the long hex screw (M).



HW61-HW64 & HW111-HW114

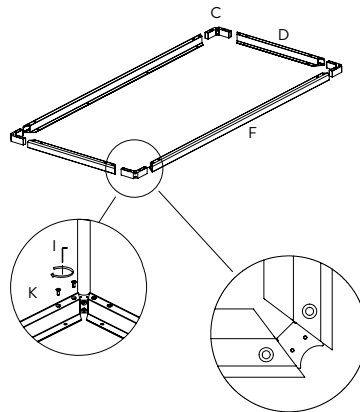
# Recycling & Disassembly

Drip HW61-HW64 & HW111-HW114



## Step 6 / 7

Remove one adapter (H) on each leg (B) by screwing out the long hex screws (M).



## Step 7 / 7

Remove all four corners (C) from the frame (D & E) by screwing out screw (K).

# Drip<sup>HW58</sup> Hee Welling



HW

## Product category

Table

## Environment

Indoor

## Production process

The frame is made from extruded, powder coated aluminium. The table top is made from MDF covered with veneer, linoleum or laminate

## Material

Aluminium base, MDF table top with Fenix Nano laminate, Forbo linoleum or wood veneer. This product has not been treated with any biocides.

## Table top finishes

Nero Ingo Fenix Nano Laminate (0720)  
Smokey Blue Forbo Linoleum (4179)  
Pearl Forbo Laminate (4157)  
Castoro Ottawa Fenix Nano Laminate (0717)  
Cacao Orinoco Fenix Nano Laminate (0749)  
Verde Comodoro Fenix Nano Laminate (0750)  
Azzurro Naxos Fenix Nano Laminate (0771)  
Burgundy Forbo Linoleum (4154)

## Edge band

Dark Blue Ostermann ( ), Glossy  
Soft Yellow Rehau (78162), Glossy  
Light Brown Rehau (V1272), Glossy  
Grey Brown Rehau (71038), Glossy  
Grey Rehau (97959), Glossy  
Light Blue Rehau (77193), Glossy  
Black Rehau (76490), Glossy  
Red Ostermann ( ), Glossy

Made to order (10-12 weeks lead time):

Forbo Linoleum and Fenix Nano Laminate - all colours

*All table tops and edgebands can be mixed and matched*

Veneer - oak or walnut

*Wood veneer is produced with a matching edgeband*

## Base finishes

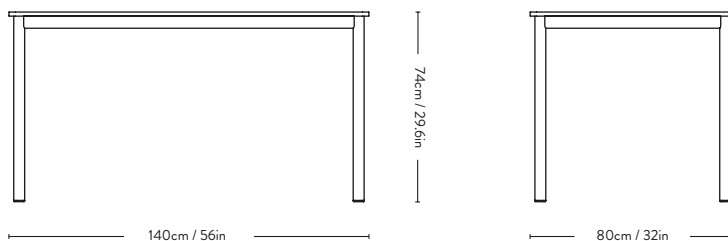
Black, Bronzed

## Strength, Durability and Safety Testing

The table is tested for strength, durability and safety according to: - EN Level  
- Extreme use.



## Dimensions



## Related products



HW59

HW60

&Tradition®



HW

# Drip<sup>HW58</sup> Hee Welling

## Dimensions

H: 74cm/29.6in, W: 80cm/32in, D: 140cm/56in  
Custom sizes are available with 6-8 weeks lead time

## Package dimensions

Table top: H: 7cm/2.8in, W: 84cm/33.5in, D: 144cm/57.6in  
Table frame: H: 8cm/3.2in, W: 234cm/93.6in, D: 26cm/10.4in

## Colli quantity

1 pc

## Weight

Product: 25 kg  
Table top incl. packaging: 16.9kg  
Table frame incl. packaging: 12.3kg

## Gliders

Plastic gliders are installed as standard.  
Castors available upon request.

## Cleaning Instructions

Please download our Material Care & Cleaning Instructions through [\\_\\_\\_\\_\\_](#)

## → Stock items

Nero Ingo Fenix Nano Laminate (0720) with Black or Bronzed base and produced with a matching high gloss edgeband.

## Base finishes



Black



Bronzed base

## Tabletop



Fenix 0720



Fenix 0717



Fenix 0749



Fenix 0750



Fenix 0771



Forbo 4179



Forbo 4157



Forbo 4154

## Edgeband



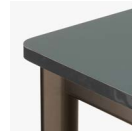
Rehau



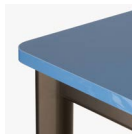
Rehau V1272



Rehau



Rehau



Rehau



Ostermann



Rehau



Ostermann  
110

## Stock items



→ Black /  
Nero Ingo  
Fenix Nano  
Laminate



→ Bronzed /  
Nero Ingo  
Fenix Nano  
Laminate

# Drip<sup>HW59</sup> Hee Welling



HW

## Product category

Table

## Environment

Indoor

## Production process

The frame is made from extruded, powder coated aluminium. The table top is made from MDF covered with veneer, linoleum or laminate

## Material

Aluminium base, MDF table top with Fenix Nano laminate, Forbo linoleum or wood veneer. This product has not been treated with any biocides.

## Table top finishes

Nero Ingo Fenix Nano Laminate (0720)  
Smokey Blue Forbo Linoleum (4179)  
Pearl Forbo Laminate (4157)  
Castoro Ottawa Fenix Nano Laminate (0717)  
Cacao Orinoco Fenix Nano Laminate (0749)  
Verde Comodoro Fenix Nano Laminate (0750)  
Azzurro Naxos Fenix Nano Laminate (0771)  
Burgundy Forbo Linoleum (4154)

## Edge band

Dark Blue Ostermann ( ), Glossy  
Soft Yellow Rehau (78162), Glossy  
Light Brown Rehau (V1272), Glossy  
Grey Brown Rehau (71038), Glossy  
Grey Rehau (97959), Glossy  
Light Blue Rehau (77193), Glossy  
Red Ostermann ( ), Glossy  
Black Rehau (76490), Glossy

Made to order (10-12 weeks lead time):

Forbo Linoleum and Fenix Nano Laminate - all colours

All table tops and edgebands can be mixed and matched

Veneer - oak or walnut

Wood veneer is produced with a matching edgeband

## Base finishes

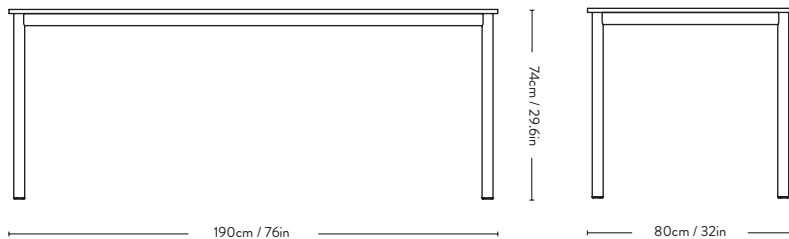
Black, Bronzed

## Strength, Durability and Safety Testing

The table is tested for strength, durability and safety according to: - EN Level 2 - Extreme use.



## Dimensions



## Related products



HW58

HW60

&Tradition®



HW

# Drip<sup>HW59</sup> Hee Welling

## Dimensions

H: 74cm/29.6in, W: 80cm/32in, D: 190cm/76in  
Custom sizes are available with 6-8 weeks lead time

## Package dimensions

Table top: H: 7cm/2.8in, W: 84cm/33.5in, D: 194cm/77.6in  
Table frame: H: 8cm/3.2in, W: 234cm/93.6in, D: 26cm/10.4in

## Colli quantity

1 pc

## Weight

Product: 32.2 kg  
Table top incl. packaging: 23.2kg  
Table frame incl. packaging: 13.7kg

## Gliders

Plastic gliders are installed as standard.  
Castors available upon request.

## Cleaning Instructions

Please download our Material Care & Cleaning Instructions through [\\_\\_\\_\\_\\_](#)

## → Stock items

Nero Ingo Fenix Nano Laminate (0720) with Black or Bronzed base and produced with a matching high gloss edgeband.

## Base finishes



Black



Bronzed base

## Tabletop



Fenix 0720



Fenix 0717



Fenix 0749



Fenix 0750



Fenix 0771



Forbo 4179



Forbo 4157



Forbo 4154

## Edgeband



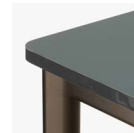
Rehau



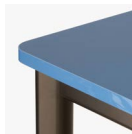
Rehau V1272



Rehau



Rehau



Rehau



Ostermann



Rehau



Ostermann  
110

## Stock items



→ Black /  
Nero Ingo  
Fenix Nano  
Laminate



→ Bronzed /  
Nero Ingo  
Fenix Nano  
Laminate

# Drip<sup>HW60</sup> Hee Welling



HW

## Product category

Table

## Environment

Indoor

## Production process

The frame is made from extruded, powder coated aluminium. The table top is made from MDF covered with veneer, linoleum or laminate

## Material

Aluminium base, MDF table top with Fenix Nano laminate, Forbo linoleum or wood veneer. This product has not been treated with any biocides.

## Table top finishes

Nero Ingo Fenix Nano Laminate (0720)  
Smokey Blue Forbo Linoleum (4179)  
Pearl Forbo Laminate (4157)  
Castoro Ottawa Fenix Nano Laminate (0717)  
Cacao Orinoco Fenix Nano Laminate (0749)  
Verde Comodoro Fenix Nano Laminate (0750)  
Azzurro Naxos Fenix Nano Laminate (0771)  
Burgundy Forbo Linoleum (4154)

## Edge band

Dark Blue Ostermann ( ), Glossy  
Soft Yellow Rehau (78162), Glossy  
Light Brown Rehau (V1272), Glossy  
Grey Brown Rehau (71038), Glossy  
Grey Rehau (97959), Glossy  
Light Blue Rehau (77193), Glossy  
Red Ostermann ( ), Glossy  
Black Rehau (76490), Glossy

Made to order (10-12 weeks lead time):

Forbo Linoleum and Fenix Nano Laminate - all colours

*All table tops and edgebands can be mixed and matched*

Veneer - oak or walnut

*Wood veneer is produced with a matching edgeband*

## Base finishes

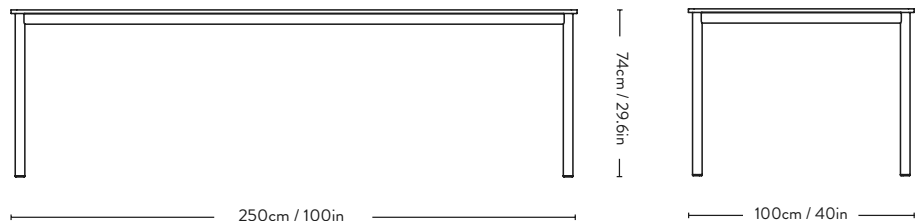
Black, Bronzed

## Strength, Durability and Safety Testing

The table is tested for strength, durability and safety according to: - EN Level 2 - Extreme use.



## Dimensions



## Related products



HW58

HW59

&Tradition<sup>®</sup>



HW

# Drip<sup>HW60</sup> Hee Welling

## Dimensions

H: 74cm/29.6in, W: 100cm/40in, D:

250cm/100in

Custom sizes are available with 6-8 weeks lead time

## Package dimensions

Table top: H: 7cm/2.8in, W: 104cm/41.6in,

D: 254cm/101.6in

Table frame: H: 8cm/3.2in, W: 258cm/103.2in,

D: 26cm/10.4in

## Colli quantity

1 pc

## Weight

Product: 49kg,

Table top incl. packaging: 39.4kg

Table frame incl. packaging: 16kg

## Gliders

Plastic gliders are installed as standard.

Castors available upon request.

## Cleaning Instructions

Please download our [Material Care & Cleaning Instructions](#) through [\\_\\_\\_\\_\\_](#)

## → Stock items

Nero Ingo Fenix Nano Laminate (0720) with Black or Bronzed base and produced with a matching high gloss edgeband.

## Base finishes



Black



Bronzed base

## Tabletop



Fenix 0720



Fenix 0717



Fenix 0749



Fenix 0750



Fenix 0771



Forbo 4179



Forbo 4157



Forbo 4154

## Edgeband



Rehau



Rehau V1272



Rehau



Rehau



Rehau



Ostermann



Rehau



Ostermann  
110

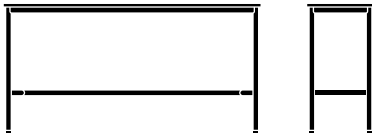
## Stock items



→ Black /  
Nero Ingo  
Fenix Nano  
Laminate



→ Bronzed /  
Nero Ingo  
Fenix Nano  
Laminate



HW

# Drip<sup>HW61</sup> Hee Welling

## Product category

Counter table

## Environment

Indoor

## Material

Aluminium base, MDF table top with Fenix Nano laminate, Forbo linoleum or wood veneer. This product has not been treated with any biocides.

## Production process

The frame is made from extruded, powder coated aluminium. The table top is made from MDF covered with veneer, linoleum or laminate.

## Table top finishes

Nero Ingo Fenix Nano Laminate (0720)  
Smokey Blue Forbo Linoleum (4179)  
Pearl Forbo Laminate (4157)  
Castoro Ottawa Fenix Nano Laminate (0717)  
Cacao Orinoco Fenix Nano Laminate (0749)  
Verde Comodoro Fenix Nano Laminate (0750)  
Azzurro Naxos Fenix Nano Laminate (0771)  
Burgundy Forbo Linoleum (4154)

## Edge band

Dark Blue Ostermann ( ), Glossy  
Soft Yellow Rehau (78162), Glossy  
Light Brown Rehau (V1272), Glossy  
Grey Brown Rehau (71038), Glossy  
Grey Rehau (97959), Glossy  
Light Blue Rehau (77193), Glossy  
Black Rehau (76490), Glossy  
Red Ostermann ( ), Glossy

Made to order (10-12 weeks lead time):

Forbo Linoleum and Fenix Nano Laminate - all colours

*All table tops and edgebands can be mixed and matched*

Veneer - oak or walnut

*Wood veneer is produced with a matching edgeband*

## Base finishes

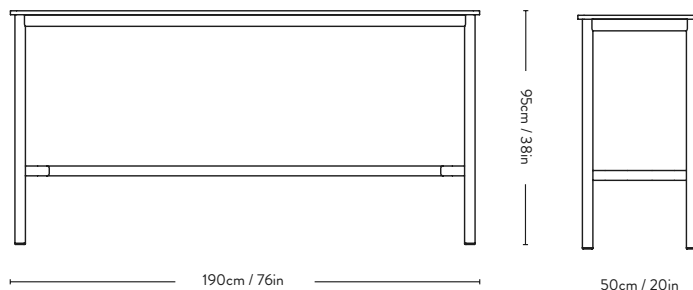
Black, Bronzed

## Strength, Durability and Safety Testing

The table is tested for strength, durability and safety according to: - EN Level 2 - Extreme use.



## Dimensions



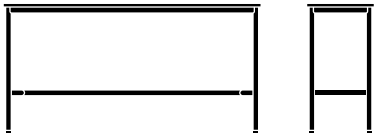
## Related products



HW58

HW60

&Tradition<sup>®</sup>



HW

# Drip<sup>HW61</sup> Hee Welling

## Dimensions

H: 95cm/37.4in, W: 50cm/19.7, D:190cm/74.8in

## Package dimensions

Table top: H: 7cm/2.8in, W: 54cm/21.3in,

D: 194cm/76.4in

Table frame: H: 16cm/6.3in, W: 184cm/72.4in,

D: 27cm/10.6in

## Colli quantity

1 pc

## Weight

Product: 27.8kg,

Table top incl. packaging: 13.9kg,

Table frame incl. packaging: 19.9kg

## Gliders

Plastic gliders are installed as standard.

Castors available upon request.

## Cleaning Instructions

Please download our Material Care & Cleaning Instructions through [\\_\\_\\_\\_\\_](#)

## → Stock items

Nero Ingo Fenix Nano Laminate (0720) with Black or Bronzed base and produced with a matching high gloss edgeband.

## Base finishes



Black



Bronzed base

## Tabletop



Fenix 0720



Fenix 0717



Fenix 0749



Fenix 0750



Fenix 0771



Forbo 4179



Forbo 4157



Forbo 4154

## Edgeband



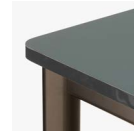
Rehau



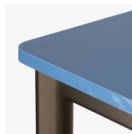
Rehau V1272



Rehau



Rehau



Rehau



Ostermann



Rehau



Ostermann  
110

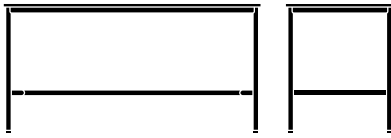
## Stock items



→ Black /  
Nero Ingo  
Fenix Nano  
Laminate



→ Bronzed /  
Nero Ingo  
Fenix Nano  
Laminate



HW

# Drip<sup>HW62</sup> Hee Welling

## Product category

Counter table

## Environment

Indoor

## Material

Aluminium base, MDF table top with Fenix Nano laminate, Forbo linoleum or wood veneer. This product has not been treated with any biocides.

## Production process

The frame is made from extruded, powder coated aluminium. The table top is made from MDF covered with veneer, linoleum or laminate.

## Table top finishes

Nero Ingo Fenix Nano Laminate (0720)  
Smokey Blue Forbo Linoleum (4179)  
Pearl Forbo Laminate (4157)  
Castoro Ottawa Fenix Nano Laminate (0717)  
Cacao Orinoco Fenix Nano Laminate (0749)  
Verde Comodoro Fenix Nano Laminate (0750)  
Azzurro Naxos Fenix Nano Laminate (0771)  
Burgundy Forbo Linoleum (4154)

## Edge band

Dark Blue Ostermann ( ), Glossy  
Soft Yellow Rehau (78162), Glossy  
Light Brown Rehau (V1272), Glossy  
Grey Brown Rehau (71038), Glossy  
Grey Rehau (97959), Glossy  
Light Blue Rehau (77193), Glossy  
Black Rehau (76490), Glossy  
Red Ostermann ( ), Glossy

Made to order (10-12 weeks lead time):

Forbo Linoleum and Fenix Nano Laminate  
- all colours

*All table tops and edgebands can be mixed  
and matched*

Veneer - oak or walnut

*Wood veneer is produced with a matching edgeband*

## Base finishes

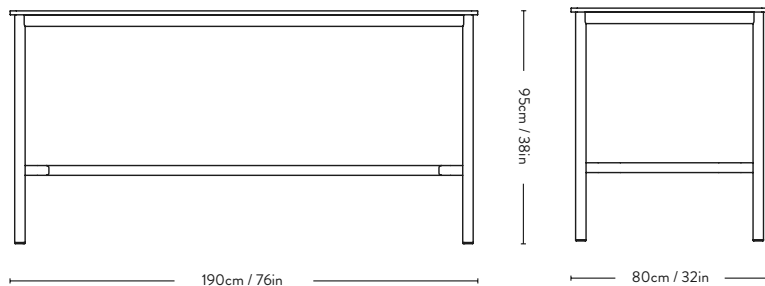
Black, Bronzed

## Strength, Durability and Safety Testing

The table is tested for strength, durability and safety according to: - EN Level 2 - Extreme use.



## Dimensions



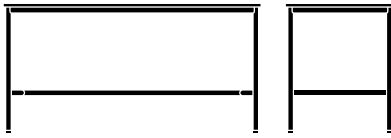
## Related products



HW58

HW59

# &Tradition<sup>®</sup>



HW

# Drip<sup>HW62</sup> Hee Welling

## Dimensions

H: 95cm/37.4in, W: 80cm/31.5, D:190cm/74.8in

## Package dimensions

Table top: H: 7cm/2.8in, W: 84cm/33.1in,

D: 194cm/76.4in

Table frame: H: 16cm/6.3in, W: 184cm/72.4in,

D: 27cm/10.6in

## Colli quantity

1 pc

## Weight

Product: 37.6kg,

Table top incl. packaging: 23.2kg,

Table frame incl. packaging: 21.7kg

## Gliders

Plastic gliders are installed as standard.

Castors available upon request.

## Cleaning Instructions

Please download our Material Care & Cleaning Instructions through [\\_\\_\\_\\_\\_](#)

## → Stock items

Nero Ingo Fenix Nano Laminate (0720) with Black or Bronzed base and produced with a matching high gloss edgeband.

## Base finishes



Black



Bronzed base

## Tabletop



Fenix 0720



Fenix 0717



Fenix 0749



Fenix 0750



Fenix 0771



Forbo 4179



Forbo 4157



Forbo 4154

## Edgeband



Rehau



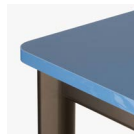
Rehau V1272



Rehau



Rehau



Rehau



Ostermann



Rehau



Ostermann  
110

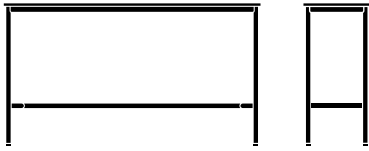
## Stock items



→ Black /  
Nero Ingo  
Fenix Nano  
Laminate



→ Bronzed /  
Nero Ingo  
Fenix Nano  
Laminate



HW

# Drip<sup>HW63</sup> Hee Welling

## Product category

Bar table

## Environment

Indoor

## Material

Aluminium base, MDF table top with Fenix Nano laminate, Forbo linoleum or wood veneer. This product has not been treated with any biocides.

## Production process

The frame is made from extruded, powder coated aluminium. The table top is made from MDF covered with veneer, linoleum or laminate.

## Table top finishes

Nero Ingo Fenix Nano Laminate (0720)  
Smokey Blue Forbo Linoleum (4179)  
Pearl Forbo Laminate (4157)  
Castoro Ottawa Fenix Nano Laminate (0717)  
Cacao Orinoco Fenix Nano Laminate (0749)  
Verde Comodoro Fenix Nano Laminate (0750)  
Azzurro Naxos Fenix Nano Laminate (0771)  
Burgundy Forbo Linoleum (4154)

## Edge band

Dark Blue Ostermann ( ), Glossy  
Soft Yellow Rehau (78162), Glossy  
Light Brown Rehau (V1272), Glossy  
Grey Brown Rehau (71038), Glossy  
Grey Rehau (97959), Glossy  
Light Blue Rehau (77193), Glossy  
Black Rehau (76490), Glossy  
Red Ostermann ( ), Glossy

Made to order (10-12 weeks lead time):

Forbo Linoleum and Fenix Nano Laminate - all colours

*All table tops and edgebands can be mixed and matched*

Veneer - oak or walnut

*Wood veneer is produced with a matching edgeband*

## Base finishes

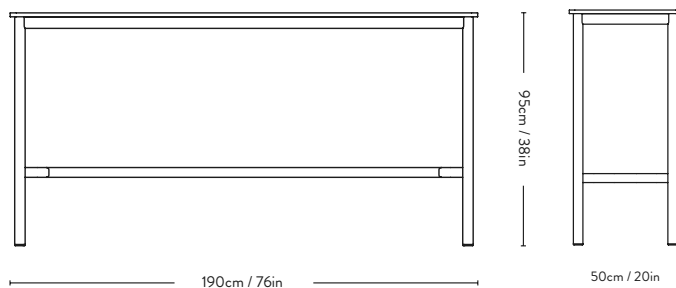
Black, Bronzed

## Strength, Durability and Safety Testing

The table is tested for strength, durability and safety according to: - EN Level 2 - Extreme use.



## Dimensions



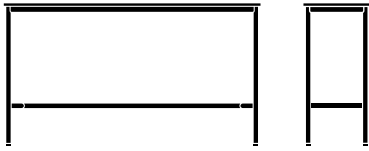
## Related products



HW58

HW59

&Tradition<sup>®</sup>



HW

# Drip<sup>HW63</sup> Hee Welling

## Dimensions

H: 105cm/41.3in, W: 50cm/19.7, D:190cm/74.8in

## Package dimensions

Table top: H: 7cm/2.8in, W: 54cm/21.3in,

D: 194cm/76.4in

Table frame: H: 16cm/6.3in, W: 184cm/72.4in,

D: 27cm/10.6in

## Colli quantity

1 pc

## Weight

Product: 26.8kg,

Table top incl. packaging: 13.9kg,

Table frame incl. packaging: 20.2kg

## Gliders

Plastic gliders are installed as standard.

Castors available upon request.

## Cleaning Instructions

Please download our Material Care & Cleaning Instructions through [\\_\\_\\_\\_\\_](#)

## → Stock items

Nero Ingo Fenix Nano Laminate (0720) with Black or Bronzed base and produced with a matching high gloss edgeband.

## Base finishes



Black



Bronzed base

## Tabletop



Fenix 0720



Fenix 0717



Fenix 0749



Fenix 0750



Fenix 0771



Forbo 4179



Forbo 4157



Forbo 4154

## Edgeband



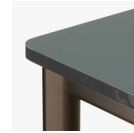
Rehau



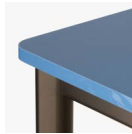
Rehau V1272



Rehau



Rehau



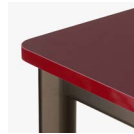
Rehau



Ostermann



Rehau



Ostermann  
110

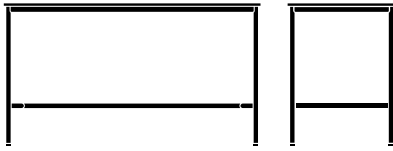
## Stock items



→ Black /  
Nero Ingo  
Fenix Nano  
Laminate



→ Bronzed /  
Nero Ingo  
Fenix Nano  
Laminate



HW

# Drip<sup>HW64</sup> Hee Welling

## Product category

Bar table

## Environment

Indoor

## Material

Aluminium base, MDF table top with Fenix Nano laminate, Forbo linoleum or wood veneer. This product has not been treated with any biocides.

## Production process

The frame is made from extruded, powder coated aluminium. The table top is made from MDF covered with veneer, linoleum or laminate.

## Table top finishes

Nero Ingo Fenix Nano Laminate (0720)  
Smokey Blue Forbo Linoleum (4179)  
Pearl Forbo Laminate (4157)  
Castoro Ottawa Fenix Nano Laminate (0717)  
Cacao Orinoco Fenix Nano Laminate (0749)  
Verde Comodoro Fenix Nano Laminate (0750)  
Azzurro Naxos Fenix Nano Laminate (0771)  
Burgundy Forbo Linoleum (4154)

## Edge band

Dark Blue Ostermann ( ), Glossy  
Soft Yellow Rehau (78162), Glossy  
Light Brown Rehau (V1272), Glossy  
Grey Brown Rehau (71038), Glossy  
Grey Rehau (97959), Glossy  
Light Blue Rehau (77193), Glossy  
Black Rehau (76490), Glossy  
Red Ostermann ( ), Glossy

Made to order (10-12 weeks lead time):

Forbo Linoleum and Fenix Nano Laminate - all colours

*All table tops and edgebands can be mixed and matched*

Veneer - oak or walnut

*Wood veneer is produced with a matching edgeband*

## Base finishes

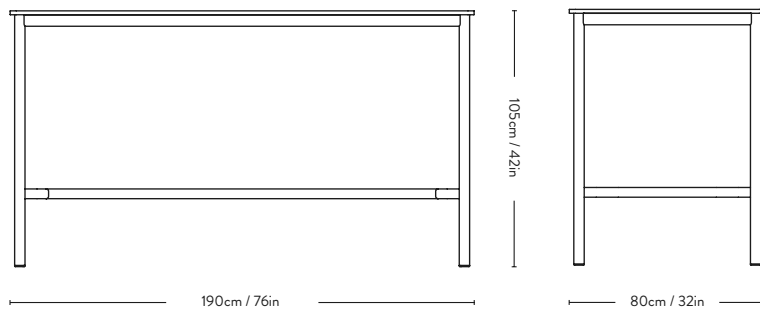
Black, Bronzed

## Strength, Durability and Safety Testing

The table is tested for strength, durability and safety according to: - EN Level 2 - Extreme use.



## Dimensions



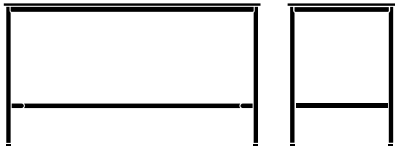
## Related products



HW58

HW59

&Tradition<sup>®</sup>



HW

# Drip<sup>HW64</sup> Hee Welling

## Dimensions

H: 105cm/41.3in, W: 80cm/31.5, D: 190cm/74.8in

## Package dimensions

Table top: H: 7cm/2.8in, W: 84cm/33.1in,  
D: 194cm/76.4in

Table frame: H: 16cm/6.3in, W: 184cm/72.4in,  
D: 27cm/10.6in

## Colli quantity

1 pc

## Weight

Product: 37.9kg,

Table top incl. packaging: 23.2kg,

Table fram incl. packaging: 22kg

## Gliders

Plastic gliders are installed as standard.

Castors available upon request.

## Table top finishes

Nero Ingo Fenix Nano Laminate (0720)

Made to order (6-8 weeks lead time):

Linoleum - all colours

Nano Laminate - all colours

Veneer - oak or walnut

## Cleaning Instructions

Please download our [Material Care & Cleaning Instructions](#) through [\\_\\_\\_\\_\\_](#)

## → Stock items

Nero Ingo Fenix Nano Laminate (0720) with Black or Bronzed base and produced with a matching high gloss edgeband.

## Base finishes



Black



Bronzed base

## Tabletop



Fenix 0720



Fenix 0717



Fenix 0749



Fenix 0750



Fenix 0771



Forbo 4179



Forbo 4157



Forbo 4154

## Edgeband



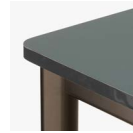
Rehau



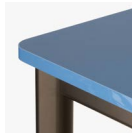
Rehau V1272



Rehau



Rehau



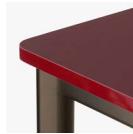
Rehau



Ostermann



Rehau



Ostermann  
110

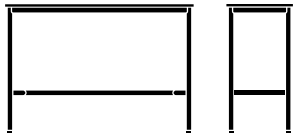
## Stock items



→ Black /  
Nero Ingo  
Fenix Nano  
Laminate



→ Bronzed /  
Nero Ingo  
Fenix Nano  
Laminate



HW

# Drip<sup>HW111</sup> Hee Welling

## Product category

Counter table

## Environment

Indoor

## Material

Aluminium base, MDF table top with Fenix Nano laminate, Forbo linoleum or wood veneer. This product has not been treated with any biocides.

## Production process

The frame is made from extruded, powder coated aluminium. The table top is made from MDF covered with veneer, linoleum or laminate.

## Table top finishes

Nero Ingo Fenix Nano Laminate (0720)  
Smokey Blue Forbo Linoleum (4179)  
Pearl Forbo Laminate (4157)  
Castoro Ottawa Fenix Nano Laminate (0717)  
Cacao Orinoco Fenix Nano Laminate (0749)  
Verde Comodoro Fenix Nano Laminate (0750)  
Azzurro Naxos Fenix Nano Laminate (0771)  
Burgundy Forbo Linoleum (4154)

## Edge band

Dark Blue Ostermann ( ), Glossy  
Soft Yellow Rehau (78162), Glossy  
Light Brown Rehau (V1272), Glossy  
Grey Brown Rehau (71038), Glossy  
Grey Rehau (97959), Glossy  
Light Blue Rehau (77193), Glossy  
Black Rehau (76490), Glossy  
Red Ostermann ( ), Glossy

Made to order (10-12 weeks lead time):

Forbo Linoleum and Fenix Nano Laminate - all colours

*All table tops and edgebands can be mixed and matched*

Veneer - oak or walnut

*Wood veneer is produced with a matching edgeband*

## Base finishes

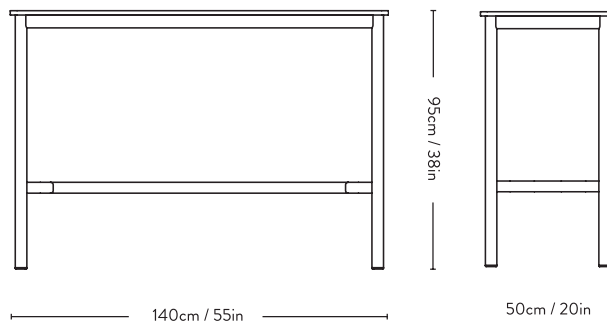
Black, Bronzed

## Strength, Durability and Safety Testing

The table is tested for strength, durability and safety according to: - EN Level 2 - Extreme use.



## Dimensions



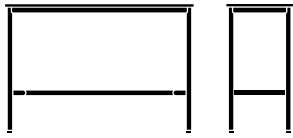
## Related products



HW58

HW113

# &Tradition®



HW

# Drip<sup>HW111</sup> Hee Welling

## Dimensions

H: 95cm/37.4in, W: 50cm/19.7, D:140cm/55.1in

## Package dimensions

Table top: H: 7cm/2.8in, W: 54cm/21.3in,

D: 144cm/56.7in

Table frame: H: 16cm/6.3in, W: 184cm/72.4in,

D: 27cm/10.6in

## Colli quantity

1 pc

## Weight

Product: 22.9kg,

Table top incl. packaging: 10.3kg,

Table frame incl. packaging: 17.8kg

## Gliders

Plastic gliders are installed as standard.

Castors available upon request.

## Cleaning Instructions

Please download our Material Care & Cleaning Instructions through [\\_\\_\\_\\_\\_](#)

## → Stock items

Nero Ingo Fenix Nano Laminate (0720) with Black or Bronzed base and produced with a matching high gloss edgeband.

## Base finishes



Black



Bronzed base

## Tabletop



Fenix 0720



Fenix 0717



Fenix 0749



Fenix 0750



Fenix 0771



Forbo 4179



Forbo 4157



Forbo 4154

## Edgeband



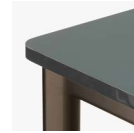
Rehau



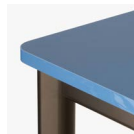
Rehau V1272



Rehau



Rehau



Rehau



Ostermann



Rehau



Ostermann  
110

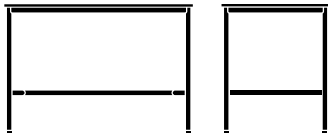
## Stock items



→ Black /  
Nero Ingo  
Fenix Nano  
Laminate



→ Bronzed /  
Nero Ingo  
Fenix Nano  
Laminate



HW

# Drip<sup>HW112</sup> Hee Welling

**Product category**

Counter table

**Environment**

Indoor

**Material**

Aluminium base, MDF table top with Fenix Nano laminate, Forbo linoleum or wood veneer. This product has not been treated with any biocides.

**Production process**

The frame is made from extruded, powder coated aluminium. The table top is made from MDF covered with veneer, linoleum or laminate.

**Table top finishes**

- Nero Ingo Fenix Nano Laminate (0720)
- Smokey Blue Forbo Linoleum (4179)
- Pearl Forbo Laminate (4157)
- Castoro Ottawa Fenix Nano Laminate (0717)
- Cacao Orinoco Fenix Nano Laminate (0749)
- Verde Comodoro Fenix Nano Laminate (0750)
- Azzurro Naxos Fenix Nano Laminate (0771)
- Burgundy Forbo Linoleum (4154)

**Edge band**

- Dark Blue Ostermann ( ), Glossy
- Soft Yellow Rehau (78162), Glossy
- Light Brown Rehau (V1272), Glossy
- Grey Brown Rehau (71038), Glossy
- Grey Rehau (97959), Glossy
- Light Blue Rehau (77193), Glossy
- Black Rehau (76490), Glossy
- Red Ostermann ( ), Glossy

Made to order (10-12 weeks lead time):

Forbo Linoleum and Fenix Nano Laminate - all colours

*All table tops and edgebands can be mixed and matched*

Veneer - oak or walnut

*Wood veneer is produced with a matching edgeband*

**Base finishes**

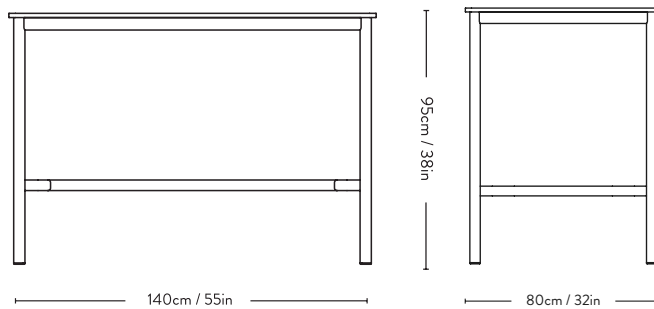
Black, Bronzed

**Strength, Durability and Safety Testing**

The table is tested for strength, durability and safety according to: - EN Level 2 - Extreme use.



**Dimensions**

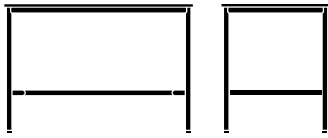


**Related products**



HW58

HW61



HW

# Drip<sup>HW112</sup> Hee Welling

## Dimensions

H: 95cm/37.4in, W: 80cm/31.5, D:140cm/55.12in

## Package dimensions

Table top: H: 7cm/2.8in, W: 84cm/33.1in,

D: 144cm/56.7in

Table frame: H: 16cm/6.3in, W: 184cm/72.4in,

D: 27cm/10.6in

## Colli quantity

1 pc

## Weight

Product: 30.2kg,

Table top incl. packaging: 16.9kg,

Table frame incl. packaging: 19.8kg

## Gliders

Plastic gliders are installed as standard.

Castors available upon request.

## Cleaning Instructions

Please download our Material Care & Cleaning Instructions through [\\_\\_\\_\\_\\_](#)

## → Stock items

Nero Ingo Fenix Nano Laminate (0720) with Black or Bronzed base and produced with a matching high gloss edgeband.

## Base finishes



Black



Bronzed base

## Tabletop



Fenix 0720



Fenix 0717



Fenix 0749



Fenix 0750



Fenix 0771



Forbo 4179



Forbo 4157



Forbo 4154

## Edgeband



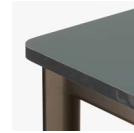
Rehau



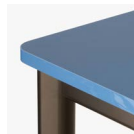
Rehau V1272



Rehau



Rehau



Rehau



Ostermann



Rehau



Ostermann  
110

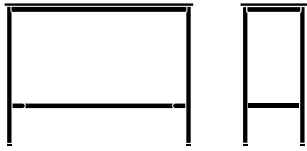
## Stock items



→ Black /  
Nero Ingo  
Fenix Nano  
Laminate



→ Bronzed /  
Nero Ingo  
Fenix Nano  
Laminate



HW

# Drip<sup>HW113</sup> Hee Welling

## Product category

Bar table

## Environment

Indoor

## Material

Aluminium base, MDF table top with Fenix Nano laminate, Forbo linoleum or wood veneer. This product has not been treated with any biocides.

## Production process

The frame is made from extruded, powder coated aluminium. The table top is made from MDF covered with veneer, linoleum or laminate.

## Table top finishes

Nero Ingo Fenix Nano Laminate (0720)  
Smokey Blue Forbo Linoleum (4179)  
Pearl Forbo Laminate (4157)  
Castoro Ottawa Fenix Nano Laminate (0717)  
Cacao Orinoco Fenix Nano Laminate (0749)  
Verde Comodoro Fenix Nano Laminate (0750)  
Azzurro Naxos Fenix Nano Laminate (0771)  
Burgundy Forbo Linoleum (4154)

## Edge band

Dark Blue Ostermann ( ), Glossy  
Soft Yellow Rehau (78162), Glossy  
Light Brown Rehau (V1272), Glossy  
Grey Brown Rehau (71038), Glossy  
Grey Rehau (97959), Glossy  
Light Blue Rehau (77193), Glossy  
Black Rehau (76490), Glossy  
Red Ostermann ( ), Glossy

Made to order (10-12 weeks lead time):

Forbo Linoleum and Fenix Nano Laminate - all colours

All table tops and edgebands can be mixed and matched

Veneer - oak or walnut

Wood veneer is produced with a matching edgeband

## Base finishes

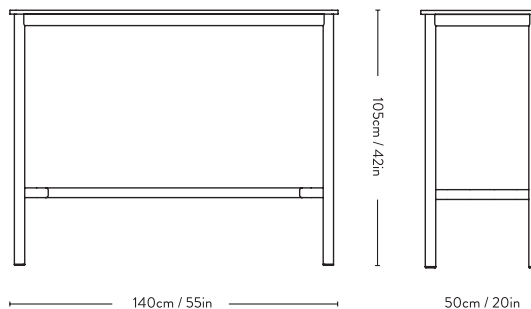
Black, Bronzed

## Strength, Durability and Safety Testing

The table is tested for strength, durability and safety according to: - EN Level 2 - Extreme use.



## Dimensions



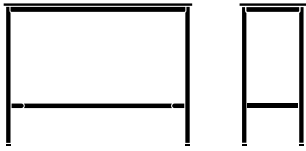
## Related products



HW58

HW61

&Tradition®



HW

# Drip<sup>HW113</sup> Hee Welling

## Dimensions

H: 105cm/41.3in, W: 50cm/19.7, D: 140cm/55.1in

## Package dimensions

Table top: H: 7cm/2.8in, W: 54cm/21.3in,

D: 144cm/56.7in

Table frame: H: 16cm/6.3in, W: 184cm/72.4in,

D: 27cm/10.6in

## Colli quantity

1 pc

## Weight

Product: 23.4kg,

Table top incl. packaging: 10.3kg,

Table frame incl. packaging: 18.3kg

## Gliders

Plastic gliders are installed as standard.

Castors available upon request.

## Cleaning Instructions

Please download our Material Care & Cleaning Instructions through [\\_\\_\\_\\_\\_](#)

## → Stock items

Nero Ingo Fenix Nano Laminate (0720) with Black or Bronzed base and produced with a matching high gloss edgeband.

## Base finishes



Black



Bronzed base

## Tabletop



Fenix 0720



Fenix 0717



Fenix 0749



Fenix 0750



Fenix 0771



Forbo 4179



Forbo 4157



Forbo 4154

## Edgeband



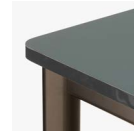
Rehau



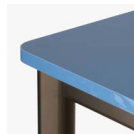
Rehau V1272



Rehau



Rehau



Rehau



Ostermann



Rehau



Ostermann  
110

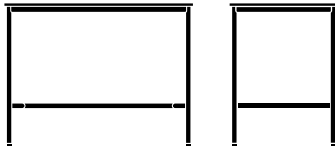
## Stock items



→ Black /  
Nero Ingo  
Fenix Nano  
Laminate



→ Bronzed /  
Nero Ingo  
Fenix Nano  
Laminate



HW

# Drip<sup>HW114</sup> Hee Welling

## Product category

Bar table

## Environment

Indoor

## Material

Aluminium base, MDF table top with Fenix Nano laminate, Forbo linoleum or wood veneer. This product has not been treated with any biocides.

## Production process

The frame is made from extruded, powder coated aluminium. The table top is made from MDF covered with veneer, linoleum or laminate.

## Table top finishes

Nero Ingo Fenix Nano Laminate (0720)  
Smokey Blue Forbo Linoleum (4179)  
Pearl Forbo Laminate (4157)  
Castoro Ottawa Fenix Nano Laminate (0717)  
Cacao Orinoco Fenix Nano Laminate (0749)  
Verde Comodoro Fenix Nano Laminate (0750)  
Azzurro Naxos Fenix Nano Laminate (0771)  
Burgundy Forbo Linoleum (4154)

## Edge band

Dark Blue Ostermann ( ), Glossy  
Soft Yellow Rehau (78162), Glossy  
Light Brown Rehau (V1272), Glossy  
Grey Brown Rehau (71038), Glossy  
Grey Rehau (97959), Glossy  
Light Blue Rehau (77193), Glossy  
Black Rehau (76490), Glossy  
Red Ostermann ( ), Glossy

Made to order (10-12 weeks lead time):

Forbo Linoleum and Fenix Nano Laminate - all colours

*All table tops and edgebands can be mixed and matched*

Veneer - oak or walnut

*Wood veneer is produced with a matching edgeband*

## Base finishes

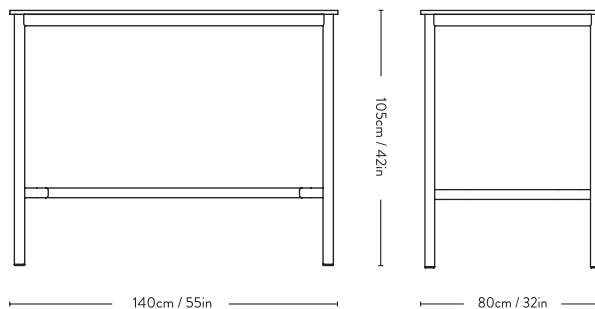
Black, Bronzed

## Strength, Durability and Safety Testing

The table is tested for strength, durability and safety according to: - EN Level 2 - Extreme use.



## Dimensions



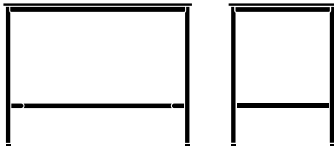
## Related products



HW58

HW59

&Tradition®



HW

# Drip<sup>HW114</sup> Hee Welling

## Dimensions

H: 105cm/41.3in, W: 80cm/31.5, D: 140cm/55.1in

## Package dimensions

Table top: H: 7cm/2.8in, W: 84cm/33.1in,

D: 144cm/56.7in

Table frame: H: 16cm/6.3in, W: 184cm/72.4in,

D: 27cm/10.6in

## Colli quantity

1 pc

## Weight

Product: 30.3kg,

Table top incl. packaging: 16.9kg,

Table frame incl. packaging: 19.9kg

## Gliders

Plastic gliders are installed as standard.

Castors available upon request.

## Cleaning Instructions

Please download our Material Care & Cleaning Instructions through [\\_\\_\\_\\_\\_](#)

## → Stock items

Nero Ingo Fenix Nano Laminate (0720) with Black or Bronzed base and produced with a matching high gloss edgeband.

## Base finishes



Black



Bronzed base

## Tabletop



Fenix 0720



Fenix 0717



Fenix 0749



Fenix 0750



Fenix 0771



Forbo 4179



Forbo 4157



Forbo 4154

## Edgeband



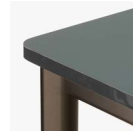
Rehau



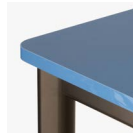
Rehau V1272



Rehau



Rehau



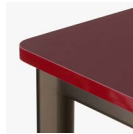
Rehau



Ostermann



Rehau



Ostermann  
110

## Stock items



→ Black /  
Nero Ingo  
Fenix Nano  
Laminate



→ Bronzed /  
Nero Ingo  
Fenix Nano  
Laminate