

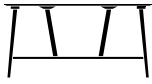
& Tradition

In Between ^{SK25-SK28}

Sami Kallio

2025





L: 190cm / 74.80in
W: 50cm / 19.69in

H: 95cm / 37.40in

In Between ^{SK25} by Sami Kallio 2024

Product description

Counter table

Environment

Indoor

Materials

Solid oak and oak veneer. This product has not been treated with any biocides.

Production process

The tabletop's surface and edges are made from oak veneer. The legs are solid wood.

Variants

Black Lacquered Oak

Lacquered Oak

Smoked Lacquered Oak.

Dimensions

H: 95 cm / in
L: 190 cm / in
W: 50 / in

Weight

31 kg

Strength, durability and safety testing

The table is tested for strength, durability and safety according to: EN Level 2 (Tables)

Certifications



The mark of responsible forestry

FSC® 100%

Gliders

Plastic gliders

Impact

- Made using FSC® certified wood, supporting responsible management of the world's forests.

- Made in a factory powered by certified renewable energy.

Manufacturer

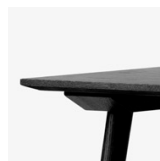
Produced in Slovenia by Sanyei Scandinavia A/S

Cleaning Instructions

[Please see our Maintenance & Care instructions here](#)

→ Stock items

Available in stock



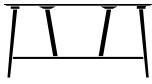
→ Black
Lacquered Oak



→ Lacquered Oak



→ Smoked
Lacquered Oak



L: 190cm / 74.80in
W: 80cm / 31.50in

H: 95cm / 37.40in

In Between ^{SK26} by Sami Kallio 2024

Product description

Counter table

Environment

Indoor

Materials

Solid oak and oak veneer. This product has not been treated with any biocides.

Production process

The tabletop's surface and edges are made from oak veneer. The legs are solid wood.

Variants

Black Lacquered Oak

Lacquered Oak

Smoked Lacquered Oak.

Dimensions

H: 95 cm / in
L: 190 cm / in
W: 80 / in

Weight

44 kg

Strength, durability and safety testing

The table is tested for strength, durability and safety according to: EN Level 2 (Tables)

Certifications



FSC® C154398

FSC® 100%

Gliders

Plastic gliders

Impact

- Made using FSC® certified wood, supporting responsible management of the world's forests.

- Made in a factory powered by certified renewable energy.

Manufacturer

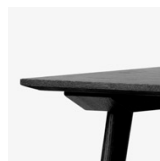
Produced in Slovenia by Sanyei Scandinavia A/S

Cleaning Instructions

[Please see our Maintenance & Care instructions here](#)

→ Stock items

Available in stock



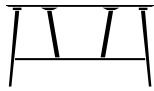
→ Black
Lacquered Oak



→ Lacquered Oak



→ Smoked
Lacquered Oak



L: 190cm / 74.80in
W: 50cm / 19.69in

H: 105cm / 41.33in

In Between ^{SK27} by Sami Kallio 2024

Product description

Bar table

Environment

Indoor

Materials

Solid oak and oak veneer. This product has not been treated with any biocides.

Production process

The tabletop's surface and edges are made from oak veneer. The legs are solid wood.

Variants

Black Lacquered Oak

Lacquered Oak

Smoked Lacquered Oak.

Dimensions

H: 105 cm / in

L: 190 cm / in

W: 50 / in

Weight

31 kg

Strength, durability and safety testing

The table is tested for strength, durability and safety according to: EN Level 2 (Tables)

Certifications



FSC® 100%

Gliders

Plastic gliders

Impact

- Made using FSC® certified wood, supporting responsible management of the world's forests.

- Made in a factory powered by certified renewable energy.

Manufacturer

Produced in Slovenia by Sanyei Scandinavia A/S

Cleaning Instructions

[Please see our Maintenance & Care instructions here](#)

→ Stock items

Available in stock



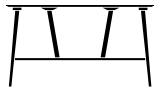
→ Black
Lacquered Oak



→ Lacquered Oak



→ Smoked
Lacquered Oak



L: 190cm / 74.80in
W: 80cm / 31.50in

H: 105cm / 41.33in

In Between ^{SK28} by Sami Kallio 2024

Product description

Bar table

Environment

Indoor

Materials

Solid oak and oak veneer. This product has not been treated with any biocides.

Production process

The tabletop's surface and edges are made from oak veneer. The legs are solid wood.

Variants

Black Lacquered Oak

Lacquered Oak

Smoked Lacquered Oak.

Dimensions

H: 105 cm / in

L: 190 cm / in

W: 80 / in

Weight

45 kg

Strength, durability and safety testing

The table is tested for strength, durability and safety according to: EN Level 2 (Tables)

Certifications



FSC® 100%

Gliders

Plastic gliders

Impact

- Made using FSC® certified wood, supporting responsible management of the world's forests.

- Made in a factory powered by certified renewable energy.

Manufacturer

Produced in Slovenia by Sanyei Scandinavia A/S

Cleaning Instructions

[Please see our Maintenance & Care instructions here](#)

→ Stock items

Available in stock



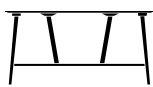
→ Black
Lacquered Oak



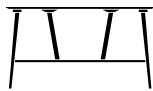
→ Lacquered Oak



→ Smoked
Lacquered Oak



SK25 & SK26



SK27 & SK28

Recycling & Disassembly

In Between^{SK25-SK28}

Recycling

The In Between table is built to last, and we hope that it will serve you for many years. The table is made from wood and can be easily separated into its components. All metal and wooden parts can be separated and delivered to a suitable recycling station.

Spare parts

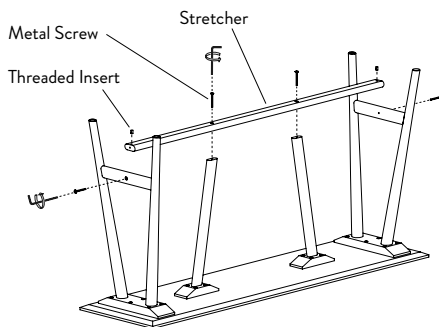
To purchase spare parts for your In Between table, please write to our sales support team at sales@tradition.co.uk with your query.

5 year warranty

&Tradition provides a 5-year warranty with every In Between table, which covers faults present at the time of purchase, or those which have occurred as a result of a manufacturing defect. The warranty is valid from the date stated on the original invoice.

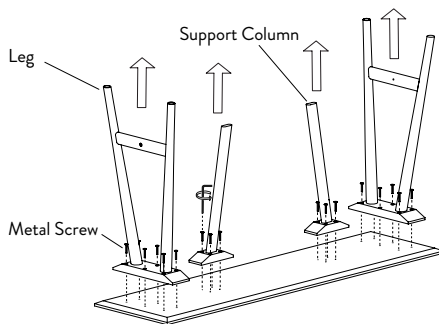
Disassembly

1. Place the table upside down on a clean, flat surface. Remove the long flat-head screws connecting the legs to the stretcher on both sides. Remove the flat-head screws securing the stretcher to the support columns and lift off the wooden stretcher.



2. Next, extract the threaded inserts from both ends of the stretcher and separate all dowels from the column / stretcher.

3. Carefully remove the flat-headed screws securing the support columns. Lift the support columns off. Then, repeat this step for the screws securing the legs. Separate the legs from the tabletop.



4. Finally, use a larger Allen key to remove the threaded inserts from the support column as well as the tabletop.

