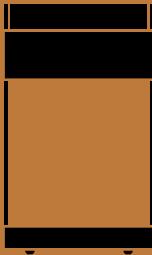
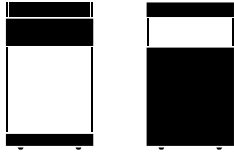


# & Tradition

Rotate <sup>SC73</sup>

Space Copenhagen  
2022





W: 35 cm / 14 in  
D: 35 cm / 14 in

H: 59 cm / 23 in

# Rotate<sup>SC73</sup> Space Copenhagen 2022

## Product description

Trolley

## Environment

Indoor

## Materials

Steel and MDF. This product has not been treated with any biocide

## Production process

The unit is made of one piece of sheet metal which is cut into two pieces and bent. The two pieces are then welded together and powder-coated.

## Dimensions

W: 35 cm / 14 in  
H: 59 cm / 23 in  
D: 35 cm / 14 in

## Weight

14.8 kg

## Strength, Durability and Safety Testing

EN Level 2 - Tables

## Certifications



FSC® 100% & EU Ecolabel

## Impact

- Designed for disassembly, making it easier to repair, renovate, pass on, and responsibly recycle at end of life.
- Framed in powder coated steel, a robust material, resistant against corrosion.
- Steel is highly recyclable and can be repurposed in another production cycle, reducing the demand for new material.
- Uses FSC® certified wood, supporting responsible management of the world's forests.

## Manufacturer

Produced in PRC by Nine United Limited

## Cleaning Instructions

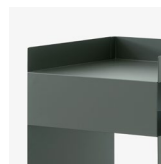
[Please see our Maintenance & Care instructions here](#)

## → Stock items

Available in stock



→ Terracotta



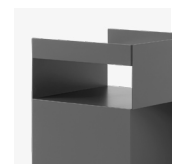
→ Hunter



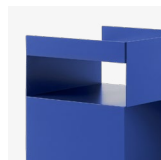
→ Merlot



→ Ivory



→ Stone Grey



→ Cobalt Blue



→ Dark Plum

# Recycling & Disassembly

## Rotate <sup>SC73</sup>

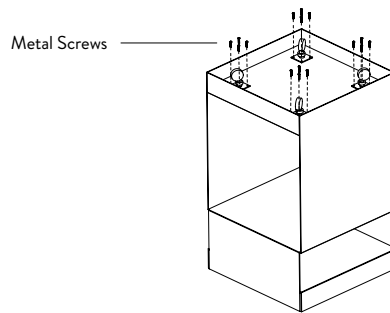
### Recycling

The Rotate trolley is built to last, and we hope that your trolley will serve you for many years. The trolley is made from steel, and can be easily separated from its base.

All metal and wooden parts can be separated and delivered to a suitable recycling station.

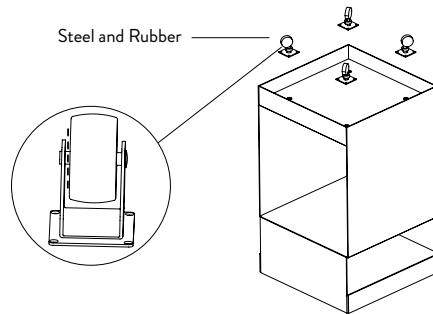
### Spare parts

To purchase spare parts for your Rotate trolley please write to our sales support team at [info@](mailto:info@) with your query.

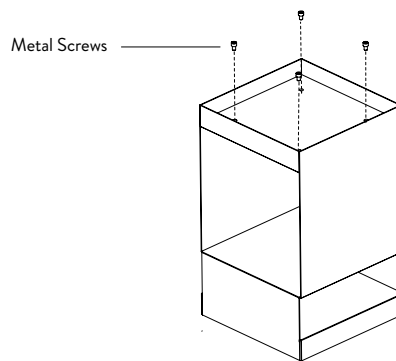


### Disassembly

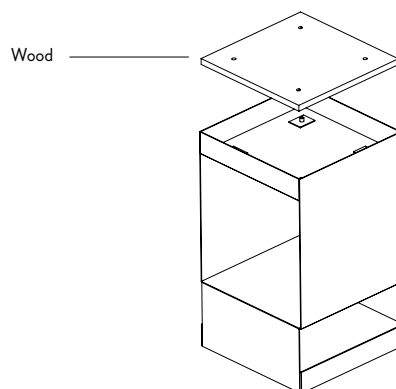
1. Screw the 4x4 screws counterclockwise to loosen the wheels from the frame.



2. Remove the wheels. Separate the rubber and steel by cutting the metal pin that holds the wheel in place with pliers.



3. Unscrew the four screws.



4. Remove the wooden plate.