



Florence Column Table

The Florence Column Table echoes the confident stance of the Florence Table collection by New Works. A substantial column anchors a simple form, specifically crafted to pair with New Works' seating pieces as a cohesive design statement. Whether gracing a bustling restaurant, an elegant dining room, or a cosy café, the Florence Column Table transforms spaces through its purposeful proportions and clean architectural lines.

Product highlights

- A family of column tables in various sizes, designed as a cohesive ensemble.
- Tabletops are offered in a range of materials and finishes.
- The bistro-size version is available in both round and square shape.
- Ideal for use in both public and private spaces.



Product Type

Dining Table, Furniture

Designer

New Works Studio, 2025

About the Designer

Alongside a number of internationally renowned designers, New Works also contributes with their own pieces to the New Works collection. The Scandinavian heritage is combined with an internationally inspired passion for honest materials, in a quest to create artistic and highly functional objects.

Environment

Indoor

Country of Origin

Lithuania

Assembly Requirements

The tabletop, support plate, column, and base must be assembled using the screws provided, following the instructions in the packaging.

Material

The Florence Column table frames are crafted in Europe by highly skilled craftsmen. They are constructed from laser-cut steel plates and tubes, secured with stainless steel bolts and nuts. The surface is finished with a durable black powder coating.

Cleaning & Care

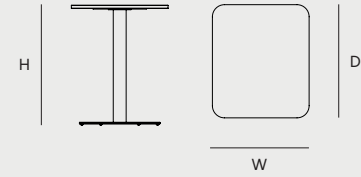
Use a soft, dry cloth to remove the dust from the table. For deeper cleaning, dampen a cloth gently wipe the surface. If needed, use a mild detergent. Always test a small area first to ensure it does not damage the finish. After cleaning, use a dry cloth to wipe away moisture, since moisture can damage the material.

Pay extra attention to the marble components while cleaning - Marble is a natural material, it is sensitive to liquids. If the liquid is not removed immediately, spilled liquids can leave a permanent stain on the table top.



Dimensions

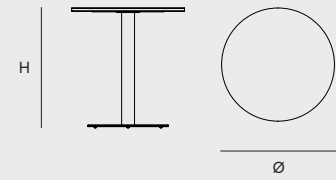
60x70
 Height: 740 mm / 29.1"
 Tabletop Width: 600 mm / 23.6"
 Tabletop Depth: 700 mm / 27.6"
 Base Diameter: 500 mm / 19.7"



Ø70
 Height: 740 mm / 29.1"
 Tabletop Diameter: 700 mm / 27.6"
 Base Diameter: 500 mm / 19.7"

Ø90
 Height: 740 mm / 29.1"
 Tabletop Diameter: 900 mm / 35.4"
 Base Diameter: 540 mm / 21.2"

Ø120
 Height: 740 mm / 29.1"
 Tabletop Diameter: 1200 mm / 47.2"
 Base Diameter: 720 mm / 28.3"



Ø145
 Height: 740 mm / 29.1"
 Tabletop Diameter: 1450 mm / 57"
 Base Diameter: 850 mm / 33.5"

Packaging Dimensions

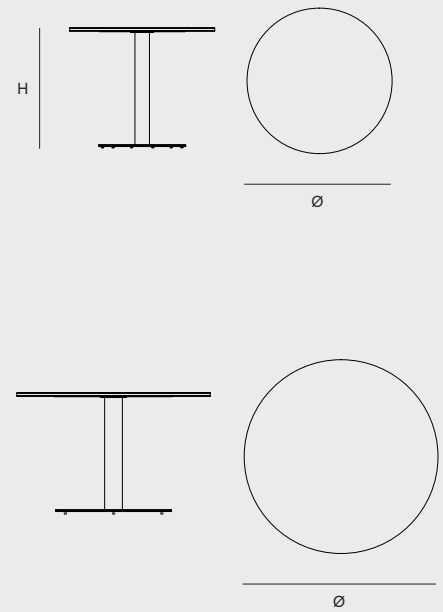
60x70
 Base: 30 x 510 x 510 mm / 1.2" x 20.1" x 20.1"
 Column: 600 x 160 x 160 mm / 23.6" x 6.3" x 6.3"
 Marble Tabletop: 100 x 950 x 950 mm / 3.9" x 37.4" x 37.4"
 Veneer/Fenix Tabletop: 30 x 710 x 710 mm / 1.2" x 28" x 28"

Ø70
 Base: 30 x 510 x 510 mm / 1.2" x 20.1" x 20.1"
 Column: 600 x 160 x 160 mm / 23.6" x 6.3" x 6.3"
 Marble Tabletop: 100 x 950 x 950 mm / 3.9" x 37.4" x 37.4"
 Veneer/Fenix Tabletop: 30 x 710 x 710 mm / 1.2" x 28" x 28"

Ø90
 Base: 30 x 550 x 550 mm / 1.2" x 21.7" x 21.7"
 Column: 600 x 160 x 160 mm / 23.6" x 6.3" x 6.3"
 Marble Tabletop: 100 x 1050 x 1050 mm / 3.9" x 41.3" x 41.3"
 Veneer/Fenix Tabletop: 30 x 910 x 910 mm / 1.2" x 35.8" x 35.8"

Ø120
 Base: 30 x 750 x 750 mm / 1.2" x 29.5" x 29.5"
 Column: 600 x 160 x 160 mm / 23.6" x 6.3" x 6.3"
 Marble Tabletop: 100 x 1300 x 1300 mm / 3.9" x 51.2" x 51.2"
 Veneer/Fenix Tabletop: 30 x 1210 x 1210 mm / 1.2" x 47.6" x 47.6"

Ø145
 Base: 30 x 950 x 950 mm / 1.2" x 37.4" x 37.4"
 Column: 600 x 180 x 180 mm / 23.6" x 7.1" x 7.1"
 Marble Tabletop: 100 x 1550 x 1550 mm / 3.9" x 61" x 61"
 Veneer/Fenix Tabletop: 30 x 1500 x 1500 mm / 1.2" x 59.1" x 59.1"



Weight

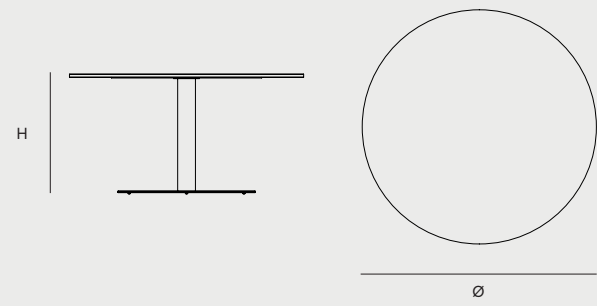
60x70
 Marble Table: 44.8 kg / 98.8 lbs
 Veneer Table: 27.7 kg / 61 lbs
 Fenix Table: 27.7 kg / 61 lbs

Ø70
 Marble Table: 48.8 kg / lbs
 Veneer Table: 27.3 kg / 60.2 lbs
 Fenix Table: 27.3 kg / 60.2 lbs

Ø90
 Marble Table: 61 kg / lbs
 Veneer Table: 36.5 kg / 80.5 lbs
 Fenix Table: 36.5 kg / 80.5 lbs

Ø120
 Marble Table: kg / lbs
 Veneer Table: 59.4 kg / 131 lbs
 Fenix Table: 59.4 kg / 131 lbs

Ø145
 Marble Table: kg / 325 lbs
 Veneer Table: 84.9 kg / lbs
 Fenix Table: 84.9 kg / lbs



Weight incl Packaging

60x70

Frame: 18.8 kg / 41.5 lbs
Marble Tabletop: 36 kg / 79.4 lbs
Veneer/ Fenix Tabletop: 7.9 kg / 17.4 lbs

Ø70

Frame: 18.8 kg / 41.5 lbs
Marble Tabletop: 42 kg / 92.6 lbs
Veneer/ Fenix Tabletop: 7.5 kg / 16.5 lbs

Ø90

Frame: 23 kg / 50.7 lbs
Marble Tabletop: 62 kg / 137.8 lbs
Veneer/ Fenix Tabletop: 12.5 kg / 27.6 lbs

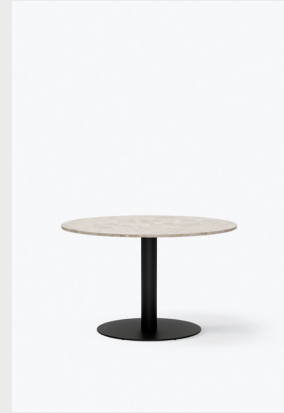
Ø120

Frame: 37.4 kg / 82.5 lbs
Marble Tabletop: 62 kg / 137.8 lbs
Veneer/ Fenix Tabletop: 21 kg / 46.1 lbs

Ø145

Frame: 54.7 kg / 120.6 lbs
Marble Tabletop: 62 kg / 137.8 lbs
Veneer/ Fenix Tabletop: 30.3 kg / 66.8 lbs

Versions



60x70

Item No: Frame 44010, Tabletop Black Marquina
Variant:

Item No: Frame 44010, Tabletop Gris du Marais
Variant:

Item No: Frame 44010, Tabletop Kunis Breccia
Variant:

Item No: Frame 44010, Tabletop Oak
Variant:

Item No: Frame 44010, Tabletop Walnut
Variant:

Item No: Frame 44010, Tabletop Black Stained Oak
Variant:

Item No: Frame 44010, Tabletop Fenix, Black
Variant:

Item No: Frame 44010, Tabletop Fenix, Warm Grey
Variant:

Ø70

Item No: Frame 44010, Tabletop Black Marquina
Variant:

Item No: Frame 44010, Tabletop Gris du Marais
Variant:

Item No: Frame 44010, Tabletop Kunis Breccia
Variant:

Item No: Frame 44010, Tabletop Oak
Variant:

Item No: Frame 44010, Tabletop Walnut
Variant:

Item No: Frame 44010, Tabletop Black Stained Oak
Variant:

Item No: Frame 44010, Tabletop Fenix, Black
Variant:

Item No: Frame 44010, Tabletop Fenix, Warm Grey
Variant:

Ø90

Item No: Frame 44030, Tabletop 0 Black Marquina
Variant:

Item No: Frame 44030, Tabletop 0 Gris du Marais
Variant:

Item No: Frame 44030, Tabletop Kunis Breccia
Variant:

Item No: Frame 44030, Tabletop Oak
Variant:

Item No: Frame 44030, Tabletop Walnut
Variant:

Item No: Frame 44030, Tabletop Black Stained Oak
Variant:

Item No: Frame 44030, Tabletop Fenix, Black
Variant:

Item No: Frame 44030, Tabletop Fenix, Warm Grey
Variant:

Ø120

Item No: Frame 44040, Tabletop Black Marquina
Variant:

Item No: Frame 44040, Tabletop Gris du Marais
Variant:

Item No: Frame 44040, Tabletop Kunis Breccia
Variant:

Item No: Frame 44040, Tabletop Oak
Variant:

Item No: Frame 44040, Tabletop Walnut
Variant:

Item No: Frame 44040, Tabletop Black Stained Oak
Variant:

Item No: Frame 44040, Tabletop Fenix, Black
Variant:

Item No: Frame 44040, Tabletop Fenix, Warm Grey
Variant:



Ø145

Item No: Frame 44050, Tabletop
Variant: Black Marquina

Item No: Frame 44050, Tabletop
Variant: Gris du Marais

Item No: Frame 44050, Tabletop
Variant: Kunis Breccia

Production & Components

Design

Engineered for disassembly — components are replaceable.

Packaging

Packaging is minimized.
The product is designed to be knock-down and flat-packed.

Tests & Certificates

Environment, Sustainability & Health

FSC®

High res images and 2D/3D files available for download at: