

Audo

COPENHAGEN



TEAROOM CLUB AND LOUNGE CHAIR W. LOOSE COVER
Designed by *Nick Ross*

PRODUCT SHEET



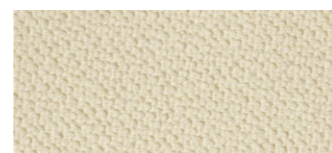
TEAROOM CLUB CHAIR W/LOOSE COVER
Designed by *Nick Ross*

The loose cover for the Tearoom Club Chair brings both elegance and practicality to the popular furniture design. The durable and soft wool-blend Logan bouclé has a subtly structured surface and is machine washable, allowing for easy care and maintenance and extending the chair's life while preserving its original look. The tailored fit allows for easy updates, letting you refresh the Club Chair with one of three timeless neutral shades that complement any interior style.

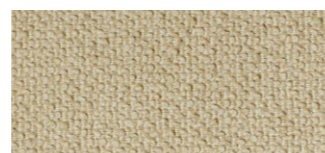


PRODUCT OPTIONS

Seat



JASMINE



SAND



FLINT

TECHNICAL SPECIFICATIONS

PRODUCT TYPE
Club chair

COLLI
1

ENVIRONMENT
Indoor

DIMENSIONS
H: 78 cm / 30,7"
SH: 47 cm / 18,5"
W: 70 cm / 27,6"
D: 58 cm / 22,8"

PRODUCTION PROCESS
The club chair is constructed with a structural frame made of plywood. Seat consists of layered foam (5 layers) in different hardness with webbing/belts underneath. Back and armrests consists of a double foam layer, with front part being reinforced with foam flex. The base is made from painted MDF.

COLOUR

Seat
Jasmine
Sand
Flint

Base
Black (RAL 9005)

GLOSS
Gloss

MATERIALS
Plywood, HR Foam construction, webbing/belts, foam flex and upholstery

WEIGHT
15 kg / 33,1 lb

TEST
N / A

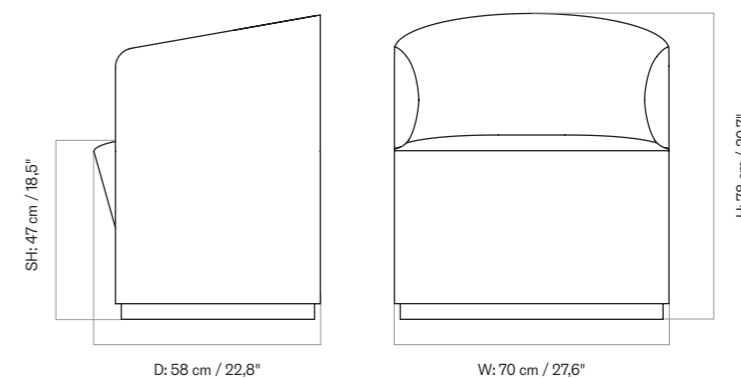
CERTIFICATIONS
TSCA title IV compliant

Declare.

PACKAGING TYPE
Brown box

PACKAGING MEASUREMENTS
(H x W x D)
80 cm x 72 cm x 60 cm /
31,5" x 28,3" x 23,6"

MATERIALS & MAINTENANCE
Please visit [www.audo.com](#) for materials, care and maintenance instructions.





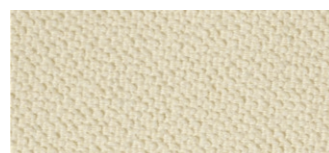
TEAROOM CLUB CHAIR LOOSE COVER ONLY
Designed by *Nick Ross*

The loose cover for the Tearoom Club Chair brings both elegance and practicality to the popular furniture design. The durable and soft wool-blend Logan bouclé has a subtly structured surface and is machine washable, allowing for easy care and maintenance and extending the chair's life while preserving its original look. The tailored fit allows for easy updates, letting you refresh the Club Chair with one of three timeless neutral shades that complement any interior style.

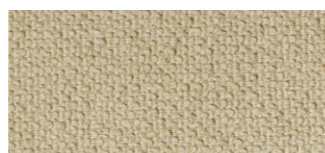


PRODUCT OPTIONS

Seat



JASMINE



SAND



FLINT

TECHNICAL SPECIFICATIONS

PRODUCT TYPE
Club chair

COLLI
1

ENVIRONMENT
Indoor

DIMENSIONS
H: 78 cm / 30,7"
SH: 47 cm / 18,5"
W: 70 cm / 27,6"
D: 58 cm / 22,8"

PRODUCTION PROCESS
Handcut and machinesewen replacement loose cover. Velcro on the inside for secure placement.

COLOUR
Jasmine
Sand
Flint

MATERIALS
66% Recycled Cotton, 15% Wool, 15% Acrylic, 4% Polyester

WEIGHT
N / A

TEST
N / A

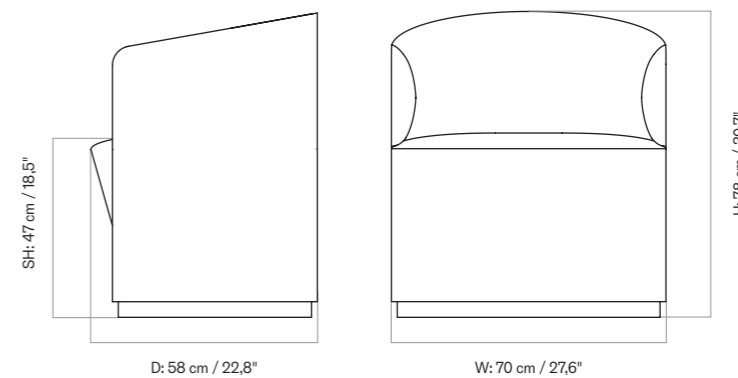
CERTIFICATIONS
TSCA title IV compliant

Declare.

PACKAGING TYPE
Brown box

PACKAGING MEASUREMENTS
(H x W x D)
80 cm x 72 cm x 60 cm /
31,5" x 28,3" x 23,6"

MATERIALS & MAINTENANCE
Please visit [www.audo.com](#) for materials, care and maintenance instructions.





TEAROOM LOUNGE CHAIR W/LOOSE COVER
Designed by *Nick Ross*

The generous proportions and timeless aesthetic Nick Ross's Tearoom Lounge Chair for Audo are complemented by a softly structured cotton-wool blend loose cover that offers a contemporary take on traditional wool bouclé. Logan by Yarn Collective is available in a subtle palette of three timeless neutrals, adding a calming and sophisticated feel. The washable, removable cover provides relaxed versatility, allowing you to effortlessly care for and update the chair to suit any setting.



PRODUCT OPTIONS



PRODUCT TYPE
Lounge chair

COLLI
1

ENVIRONMENT
Indoor

DIMENSIONS
H: 78 cm / 30,7"
SH: 43 cm / 17"
W: 89 cm / 35"
D: 70 cm / 27,6"

PRODUCTION PROCESS
The lounge chair is constructed with a structural frame made of plywood. Seat consists of layered foam (5 layers) in different hardness with webbing/belts underneath. Back and armrests consists of a double foam layer, with front part being reinforced with foam flex. The base is made from painted MDF.

TECHNICAL SPECIFICATIONS

COLOUR

Seat
Jasmine
Sand
Flint

Base
Black (RAL 9005)

GLOSS
Gloss

MATERIALS
Plywood, HR Foam construction, webbing/belts, No-sag springs, foam flex and upholstery

WEIGHT
18 kg / 39,7 lb

TEST
N / A

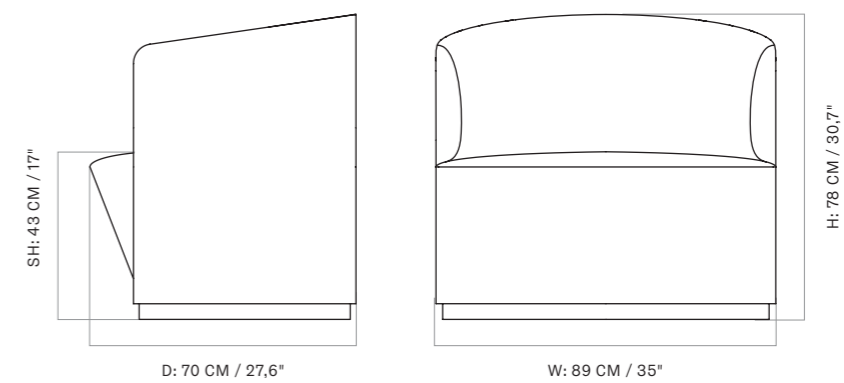
CERTIFICATIONS
TSCA title IV compliant

Declare.

PACKAGING TYPE
Brown box

PACKAGING MEASUREMENTS
(H x W x D)
80 cm x 92 cm x 72 cm /
31,5" x 36,2" x 28,3"

MATERIALS & MAINTENANCE
Please visit [audo.com](#) for materials, care and maintenance instructions.





TEAROOM LOUNGE CHAIR LOOSE COVER ONLY
Designed by *Nick Ross*

The generous proportions and timeless aesthetic Nick Ross's Tearoom Lounge Chair for Audo are complemented by a softly structured cotton-wool blend loose cover that offers a contemporary take on traditional wool bouclé. Logan by Yarn Collective is available in a subtle palette of three timeless neutrals, adding a calming and sophisticated feel. The washable, removable cover provides relaxed versatility, allowing you to effortlessly care for and update the chair to suit any setting.

PRODUCT OPTIONS



PRODUCT TYPE
Lounge chair

COLLI
1

ENVIRONMENT
Indoor

DIMENSIONS
H: 78 cm / 30,7"
SH: 43 cm / 17"
W: 89 cm / 35"
D: 70 cm / 27,6"

PRODUCTION PROCESS
Handcut and machinesewen replacement loose cover. Velcro on the inside for secure placement.

TECHNICAL SPECIFICATIONS

COLOUR
Jasmine
Sand
Flint

MATERIALS
66% Recycled Cotton, 15% Wool, 15% Acrylic, 4% Polyester

WEIGHT
18 kg / 39,7 lb

TEST
N / A

CERTIFICATIONS
TSCA title IV compliant

Declare.

PACKAGING TYPE
Brown box

PACKAGING MEASUREMENTS
(H x W x D)
80 cm x 92 cm x 72 cm /
31,5" x 36,2" x 28,3"

MATERIALS & MAINTENANCE
Please visit [www.audo.com](#) for materials, care and maintenance instructions.

