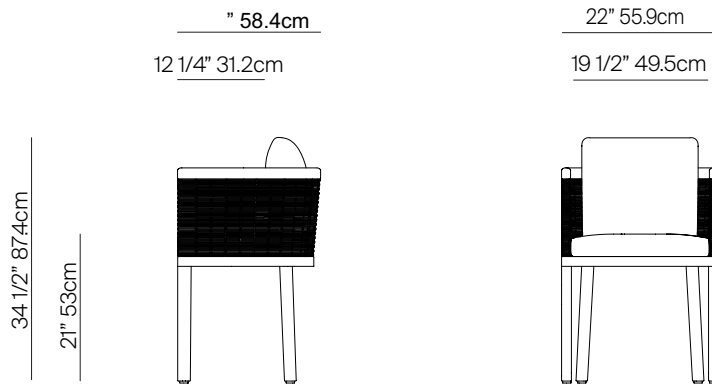


BORO

by Mario Ruiz



DINING ARMCHAIR



SPECIFICATIONS

Width: 22" 55.9 cm
Depth: 23" 58.4 cm
Height: 34 1/2" 87.4cm
Seat height: 21" 53 cm

COM: 1.75

COM based on 54" wide no repeat fabric.

MATERIALS

Frame: Premium grade teak wood.

Weave : Polypropylene rope.

Cushion foam: Made of HR (high resiliency) foam with Dacron wrap incased in a nonwoven UV stabilized waterproof sonic welded fabric.

Cushion fabric: COM/Outdoor Canvas Tier 1 / Luxury Tier 2

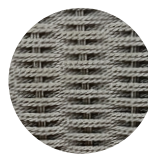
Fabric options.

Furniture cover available.

FINISHES



NATURAL



IVORY



AUBURN

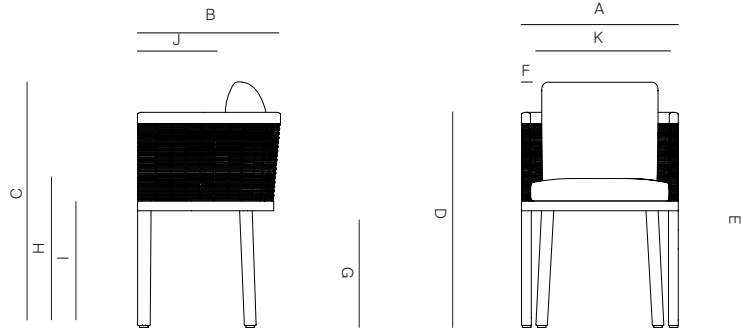
TEAK

ROPES

THROW PILLOWS SOLD SEPARATELY

DANAO

DINING ARMCHAIR



MEASURES INCH CM	OVERALL WIDTH	OVERALL DEPTH	OVERALL HEIGHT WITH CUSHIONS	OVERALL FRAME HEIGHT	ARM HEIGHT	ARM WIDTH	FOOT HEIGHT	SEAT HEIGHT WITH CUSHIONS	FRAME SEAT HEIGHT (FLOOR TO FRAME)	INSIDE SEAT WIDTH	INSIDE SEAT DEPTH
DESCRIPTION	A	B	C	D	E	F	G	H	I	J	K
DINING ARMCHAIR			2	30 1/4	30 1/4	11/4	16 1/		4	19 1/2	12 1/4
SKU#					6.					49.5	31.2

MEASURES INCH CM	# OF BACK CUSHIONS	# OF SEAT CUSHIONS	COM YARDS METERS	DIAGONAL CLEARANCE	FURNITURE WEIGHT LBS KGS	TOTAL PIECES IN A BOX	BOXED WEIGHT LBS KGS	CUBE
DESCRIPTION	L							
DINING ARMCHAIR				/	19.40	1	20.41	11.73
SKU#					8.8	1	9.26	

TRHAW PILLOWS SOLD SEPARATELY