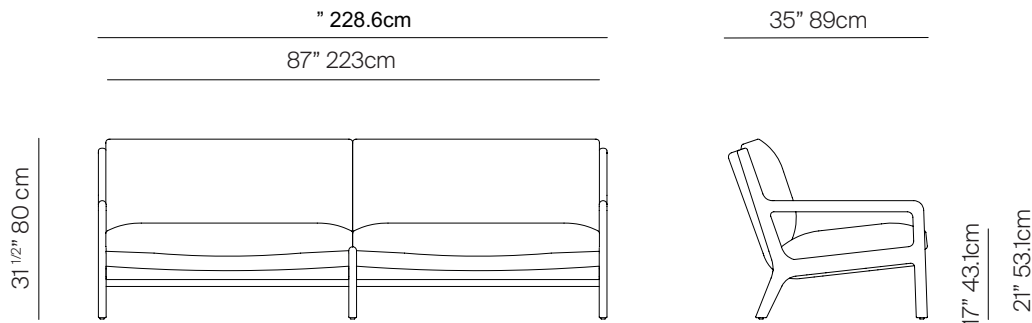


# MORELLINO

by Toan Nguyen



SOFA 90"



## SPECIFICATIONS

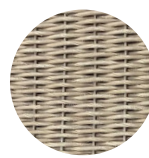
|              |          |         |
|--------------|----------|---------|
| Width:       | 90"      | cm      |
| Depth:       | 35"      | 89 cm   |
| Height:      | 31 1/2"  | 80 cm   |
| Seat height: | 17"      | 43.1 cm |
| COM:         | 7.75 yds |         |

COM based on 54" wide no repeat fabric.

## FINISHES



NATURAL



HONEY

TEAK

WEAVE

## MATERIALS

Frame: Premium grade teak wood.

Weave: Synthetic all-weather weave.

Cushion foam: Made of HR (high resiliency) foam with Dacron wrap incased in a nonwoven UV stabilized waterproof sonic welded fabric.

Cushion fabric: COM/Outdoor Canvas Grade A / Grade B

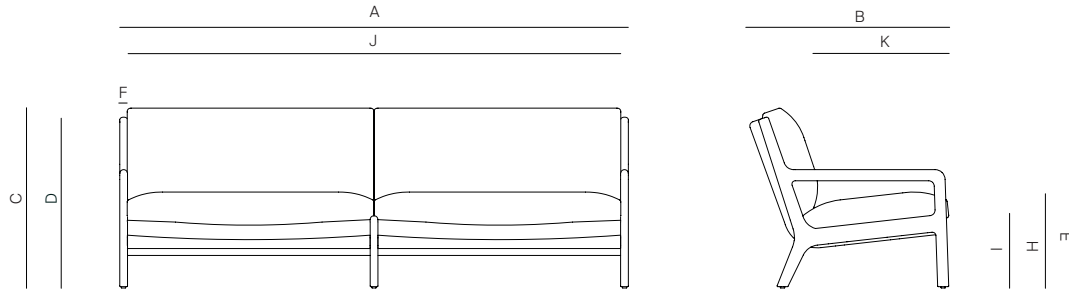
Fabric options.

Furniture cover available.

TRH OW PILLOWS SOLD SEPARATELY

# DANAO

SOFA 90"



| MEASURES<br>INCH<br>CM | OVERALL<br>WIDTH | OVERALL<br>DEPTH | OVERALL<br>HEIGHT WITH<br>CUSHIONS | OVERALL<br>FRAME<br>HEIGHT | ARM<br>HEIGHT | ARM<br>WIDTH | FOOT<br>HEIGHT | SEAT HEIGHT<br>WITH<br>CUSHIONS | FRAME SEAT<br>HEIGHT<br>(FLOOR TO<br>FRAME) | INSIDE SEAT<br>WIDTH | INSIDE SEAT<br>DEPTH |
|------------------------|------------------|------------------|------------------------------------|----------------------------|---------------|--------------|----------------|---------------------------------|---|----------------------|----------------------|
| DESCRIPTION            | A                | B                | C                                  | D                          | E             | F            | G              | H                               | I   | J                    | K                    |
| SOFA 90"               |                  |                  | 2                                  | 30 1/2                     |               | 17           |                | 17                              | 10 3/4                                      |                      |                      |
| SKU#                   |                  |                  |                                    |                            |               |              |                |                                 |   | 23                   |                      |

| MEASURES<br>INCH<br>CM | # OF BACK<br>CUSHIONS | # OF SEAT<br>CUSHIONS | COM<br>YARDS<br>METERS | DIAGONAL<br>CLEARANCE | FURNITURE<br>WEIGHT<br>LBS<br>KGS | TOTAL PIECES<br>IN A BOX | BOXED<br>WEIGHT<br>LBS<br>KGS | CUBE  |
|------------------------|-----------------------|-----------------------|------------------------|-----------------------|-----------------------------------|--------------------------|-------------------------------|-------|
| DESCRIPTION            | L                     |                       |                        |                       |                                   |                          |                               |       |
| SOFA 90"               |                       |                       |                        | 1                     | 90                                | 1                        | 147                           | 71.29 |
| SKU#                   |                       |                       |                        |                       | 41                                | 1                        | 66.6                          |       |

TRH OW PILLOWS SOLD SEPARATELY