

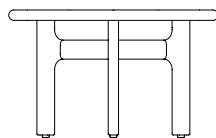
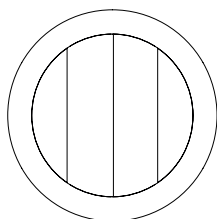
# MORELLINO

by Toan Nguyen



## 24"RD SIDE TABLE TEAK

61cm



14 1/2" 36.8cm

### SPECIFICATIONS

Width: 24" 61 cm  
Depth: 24" 61 cm  
Height: 14 1/2" 36.8 cm

### MATERIALS

Frame: Premium grade teak wood.  
Furniture cover available.

### FINISHES



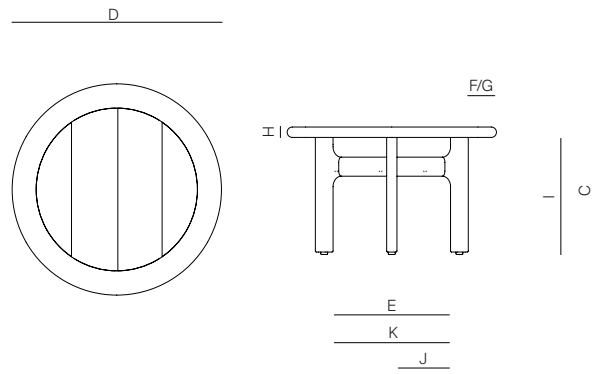
NATURAL  
-20

TEAK

THROW PILLOWS SOLD SEPARATELY

# DANAO

24"RD SIDE TABLE TEAK



| MEASURES<br>INCH<br>CM | OVERALL<br>LENGTH | OVERALL<br>WIDTH | OVERALL<br>HEIGHT | DIAMETER | SIZE OF<br>BASE | OVERHANG<br>AT ENDS | OVERHANG<br>AT SIDES | TABLE TOP<br>THICKNESS | APRON<br>TO FLOOR<br>CLEARANCE | SPACE<br>BETWEEN<br>LEGS AT HEAD |
|------------------------|-------------------|------------------|-------------------|----------|-----------------|---------------------|----------------------|------------------------|--------------------------------|----------------------------------|
| DESCRIPTION            | A                 | B                | C                 | D        | E               | F                   | G                    | H                      | I                              | J                                |
| 24"RD SIDE TABLE TEAK  |                   |                  | 1                 | 24       | 17 1/2          | 2 3/4               | 2 3/4                | 1 1/4                  | 13 1/4                         | 6 1/2                            |
| SKU#                   |                   |                  |                   | 61       | 44.6            | 7                   | 7                    | 3                      |                                |                                  |

| MEASURES<br>INCH<br>CM | SPACE BETWEEN<br>LEGS AT SIDE | SEAT UP TO (APROX.<br>20"W CHAIRS<br>SPACED 2" APART) | DIAGONAL<br>CLEARANCE | OVERAL FURNITURE<br>WEIGHT<br>LBS<br>KGS | TOTAL PIECES IN<br>A BOX | BOXED WEIGHT<br>LBS<br>KGS | CUBE |
|------------------------|-------------------------------|---|-----------------------|--|--------------------------|----------------------------|------|
| DESCRIPTION            | K                             |   |                       |  |                          |                            |      |
| 24"RD SIDE TABLE TEAK  | 13 1/2                        |   | 1                     | 13                                       | 1                        | 35                         | 787  |
| SKU#                   |                               |   |                       |  |                          |                            |      |

TRHAW PILLOWS SOLD SEPARATELY