

Audo

COPENHAGEN



DANCING PENDANT
Designed by *Iskos-Berlin*

PRODUCT SHEET



DANCING PENDANT
Designed by *Iskos-Berlin*

Large pleated pendant with a recycled polyester felt shade and textile cord.



OFF WHITE

PRODUCT TYPE
Pendant

COLLI
1

ENVIRONMENT
Indoor

DIMENSIONS
H: 58 cm / 22,8"
Ø: 95 cm / 37,4"

COLOUR
Off white

PRODUCTION PROCESS
Pressed PET felt is made from high quality felt fibres which are mechanically pressed together in a wooden mould using heat and moisture.

MATERIALS
Felt

WEIGHT
2,6 kg / 5,7 lb

TECHNICAL SPECIFICATIONS

VOLTAGE
CE: V
US: V

LIGHT SOURCE &
ENERGY EFFICIENCY CLASS
E27 (CE) - 1 pc
E26 (US) - 1 pc

Max 60 Watt

LIGHT SPECIFICATION
Bulbs not included.

DIMMER
No. The lamp can be connected to a dimmer system.

CANOPY
Yes (Cone Shape), ABS, white
Ø: 9 cm / 3,5"
H: 9 cm / 3,5"

CORD MATERIAL AND COLOUR
Textile, white.

CORD LENGTH
300 cm / 118,1"

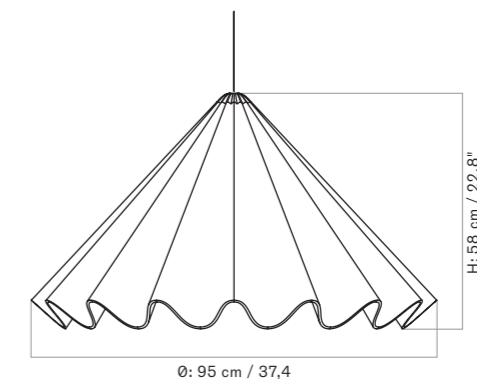
CLASSIFICATION
IP20, Class II

CERTIFICATIONS
CE certified, tests can be obtained upon request.

PACKAGING TYPE
Brown box

PACKAGING MEASUREMENTS
(H × W × D)
100 cm × 95 cm × 59 cm /
39,4" × 37,4" × 23,2"

MATERIALS & MAINTENANCE
Please visit [www.audo.com](#) for materials, care and maintenance instructions.





DANCING PENDANT, MEDIUM
Designed by *Iskos-Berlin*

Medium pleated pendant with a recycled polyester felt shade and textile cord.



OFF WHITE

TECHNICAL SPECIFICATIONS

PRODUCT TYPE
Pendant

COLLI
1

ENVIRONMENT
Indoor

DIMENSIONS
H: 37,5 cm / 14,7"
Ø: 65 cm / 25,5"

COLOUR
Off white

PRODUCTION PROCESS
Pressed PET felt is made from high quality felt fibres which are mechanically pressed together in a wooden mould using heat and moisture.

MATERIALS
Felt

WEIGHT
N / A

VOLTAGE
CE: V
US: V

LIGHT SOURCE &
ENERGY EFFICIENCY CLASS
E27 (CE) - 1 pc
E26 (US) - 1 pc
Max 60 Watt

LIGHT SPECIFICATION
Bulbs not included

DIMMER
No. The lamp can be connected to a dimmer system.

CANOPY
Yes (Cone Shape), ABS, white
H: 11,5 cm / 4,5"

CORD MATERIAL AND COLOUR
Textile, white.

CORD LENGTH
Up to 400 cm / 157,4"

CLASSIFICATION
IP20, Class II

CERTIFICATIONS
CE certified, tests can be obtained upon request.

PACKAGING TYPE
Brown box

PACKAGING MEASUREMENTS
(H x W x D)
N / A

MATERIALS & MAINTENANCE
Please visit [www.audo.com](#) for materials, care and maintenance instructions.

