

LINE 40 STANDARD

Distilled to its purest form, Line Lights are precision CNC milled and hand-finished to a fine plainness. Showcasing the wood's natural grain with a thoughtful consideration to proportion, Line Lights feel at home as both a standalone pendant or arranged into a number of striking compositions.

FINISH	SKU
Black Walnut	LL40.ST1BWL
Drift White Oak	LL40.ST1DWOK
Black White Oak	LL40.ST1BWOK

MATERIALS	CABLE MEASURE
Wood	3m (10 ft) standard adjustable Tinned copper coax + aircraft cable

LAMPING
 Integrated LED strip 13W
 530 lumens
 2700K
 CRI > 91
 TRIAC
 50,000 lifetime hours

VOLTAGE
 100 - 130 VAC (AC)

WEIGHT
 6 lbs, 2.75 kg

CANOPY
 203mm (7.99") diameter
 25.4mm (1") depth
 white RAL9003
 Round

CERTIFICATION


CUSTOM OPTIONS
 Design configuration support available

Please inquire for pricing and lead time.

STANDARD FINISHES

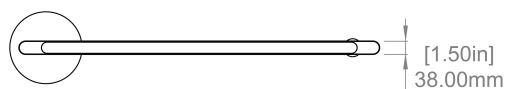
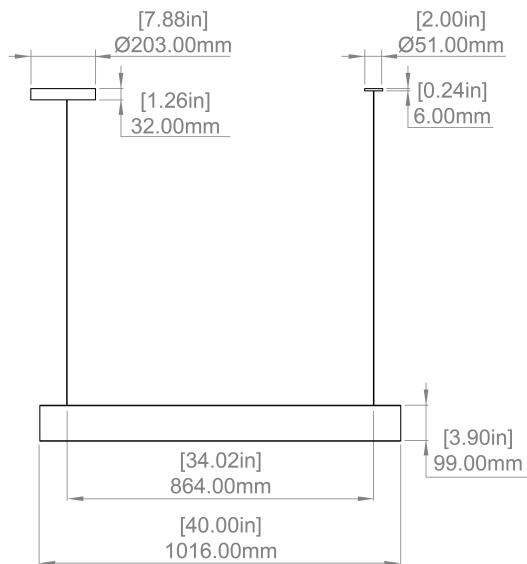


Image shown: Line Light 40 standard in drift white oak.

LINE 40 TRIANGULATED

Distilled to its purest form, Line Lights are precision CNC milled and hand-finished to a fine plainness. Showcasing the wood's natural grain with a thoughtful consideration to proportion, Line Lights feel at home as both a standalone pendant or arranged into a number of striking compositions.

FINISH

Black Walnut
Drift White Oak
Black White Oak

SKU

LL40.ST1BWL
LL40.ST1DWOK
LL40.ST1BWOK

MATERIALS

Wood

LAMPING

Integrated LED strip 13W
530 lumens
2700K
CRI > 91
TRIAC
50,000 lifetime hours

VOLTAGE

100 - 130 VAC (AC)

WEIGHT

6 lbs, 2.75 kg

CANOPY

330mm (13") diameter
51mm (2") depth
white RAL9003
Round

CABLE MEASURE

3m (10 ft) standard adjustable
Tinned copper coax + aircraft cable

CERTIFICATION



CUSTOM OPTIONS

Dimming support (technical documents available)

Please inquire for pricing and lead time.

STANDARD FINISHES

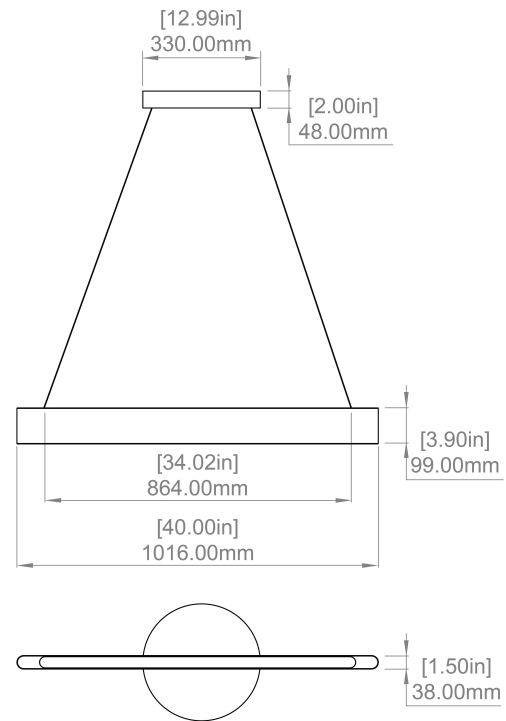


Image shown: Line Light 40 triangulated in drift white oak.

LINE 60 STANDARD

Distilled to its purest form, Line Lights are precision CNC milled and hand-finished to a fine plainness. Showcasing the wood's natural grain with a thoughtful consideration to proportion, Line Lights feel at home as both a standalone pendant or arranged into a number of striking compositions.

FINISH

Black Walnut
Drift White Oak
Black White Oak

SKU

LL60.ST1BWL
LL60.ST1DWOK
LL60.ST1BWOK

MATERIALS

Wood

LAMPING

Integrated LED strip 13W
840 lumens
2700K
CRI > 91
TRIAC
50,000 lifetime hours

VOLTAGE

100 - 130 VAC (AC)

WEIGHT

6 lbs, 2.75 kg

CANOPY

203mm (7.99") diameter
25.4mm (1") depth
white RAL9003
Round

CABLE MEASURE

3m (10 ft) standard adjustable
Tinned copper coax + aircraft cable

CERTIFICATION



CUSTOM OPTIONS

Dimming support (technical documents available)

Please inquire for pricing and lead time.

STANDARD FINISHES

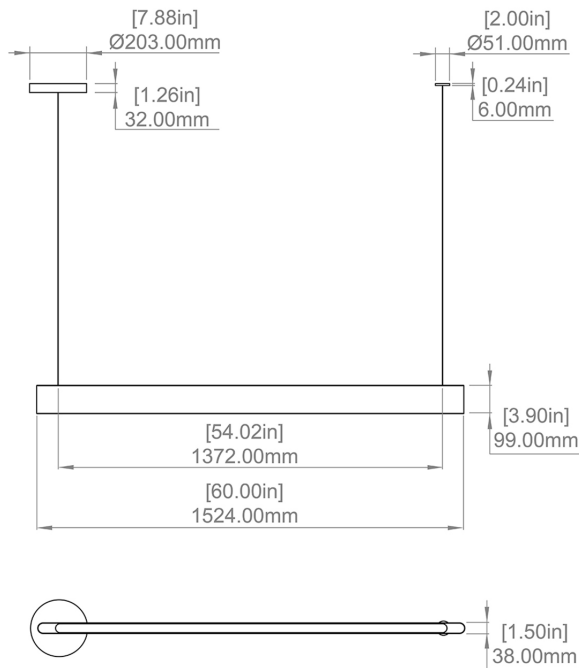


Image shown: Line Light 60 standard in drift white oak.

LINE 60 TRIANGULATED

Distilled to its purest form, Line Lights are precision CNC milled and hand-finished to a fine plainness. Showcasing the wood's natural grain with a thoughtful consideration to proportion, Line Lights feel at home as both a standalone pendant or arranged into a number of striking compositions.

FINISH

Black Walnut
Drift White Oak
Black White Oak

SKU

LL60.ST1BWL
LL60.ST1DWOK
LL60.ST1BWOK

MATERIALS

Wood

LAMPING

Integrated LED strip 13W
840 lumens
2700K
CRI > 91
TRIAC
50,000 lifetime hours

VOLTAGE

100 - 130 VAC (AC)

WEIGHT

6 lbs, 2.75 kg

CANOPY

330mm (13") diameter
51mm (2") depth
white RAL9003
Round

CABLE MEASURE

3m (10 ft) standard adjustable
Tinned copper coax + aircraft cable

CERTIFICATION



CUSTOM OPTIONS

Dimming support (technical documents available)

Please inquire for pricing and lead time.

STANDARD FINISHES

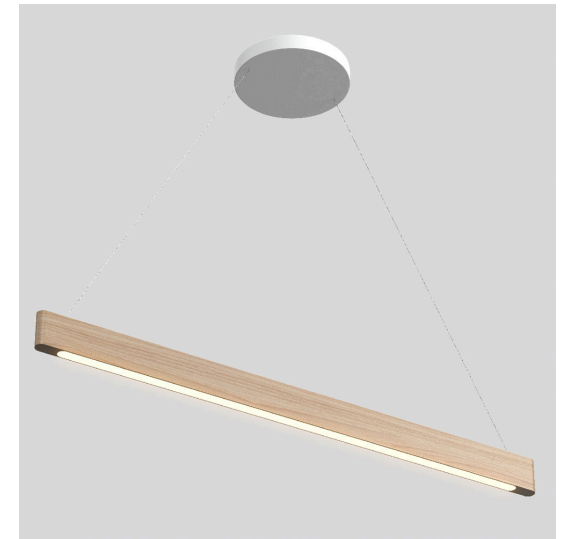
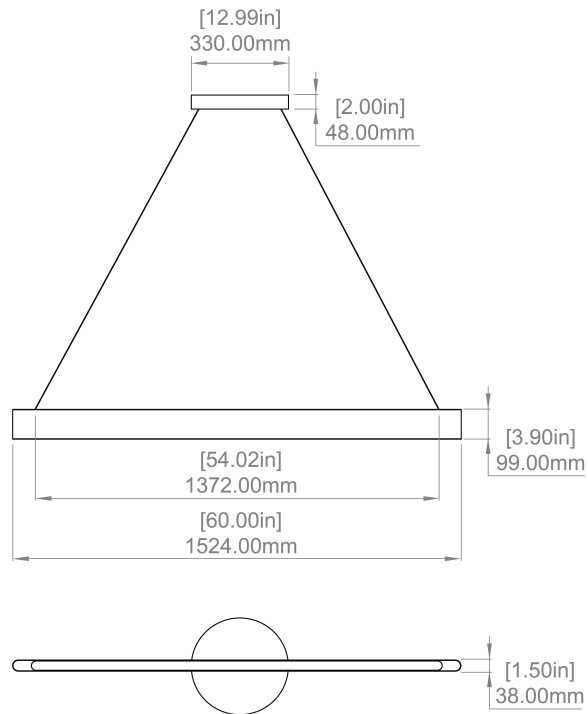


Image shown: Line Light 60 triangulated in drift white oak.

LINE 60 60 CROSS

Distilled to its purest form, Line Lights are precision CNC milled and hand-finished to a fine plainness. Showcasing the wood's natural grain with a thoughtful consideration to proportion, Line Lights feel at home as both a standalone pendant or arranged into a number of striking compositions.

FINISH

Black Walnut
Drift White Oak
Black White Oak

SKU

LL6060.C2BWL
LL6060.C2DWOK
LL6060.C2BWOK

MATERIALS

Wood

LAMPING

Integrated LED strip 42W
1680 lumens
2700K
CRI > 91
TRIAC
50,000 lifetime hours

VOLTAGE

100 - 130 VAC (AC)

WEIGHT

16 lbs, 7.25 kg

CANOPY

330mm (13") diameter
51mm (2") depth
white RAL9003
Round

CABLE MEASURE

3m (10 ft) standard adjustable
Tinned copper coax + aircraft cable

CERTIFICATION



CUSTOM OPTIONS

Dimming support (technical documents available)

Please inquire for pricing and lead time.

STANDARD FINISHES

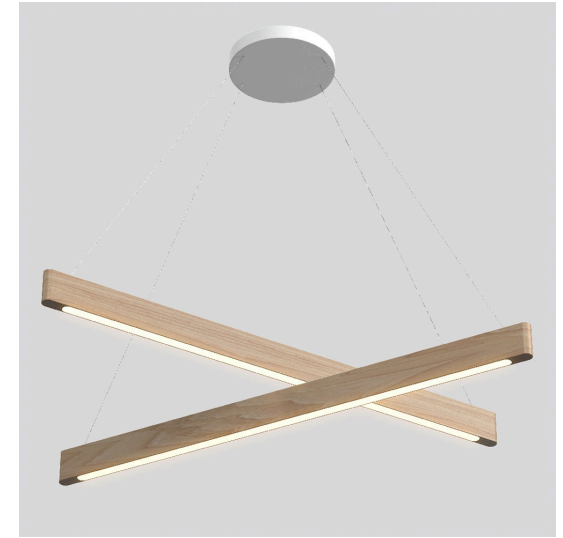
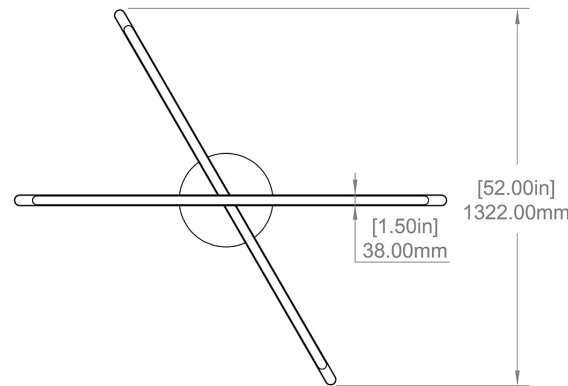
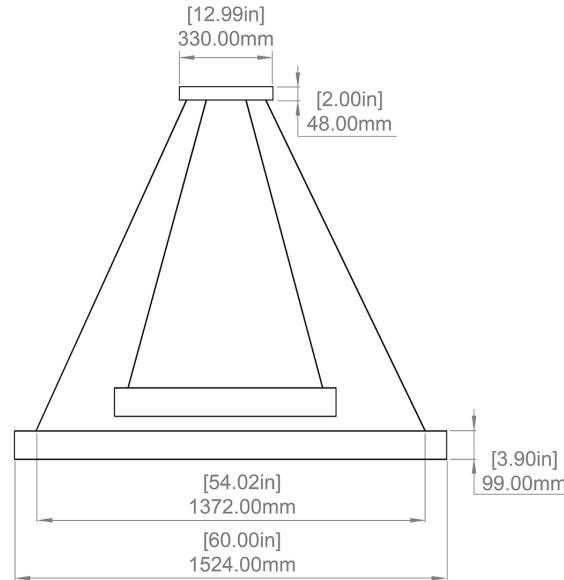


Image shown: Line Light 60 60 cross in drift white oak.

LINE 40 60 PARALLEL

Distilled to its purest form, Line Lights are precision CNC milled and hand-finished to a fine plainness. Showcasing the wood's natural grain with a thoughtful consideration to proportion, Line Lights feel at home as both a standalone pendant or arranged into a number of striking compositions.

FINISH

Black Walnut
Drift White Oak
Black White Oak

SKU

LL4060.P2BWL
LL4060.P2DWOK
LL4060.P2BWOK

MATERIALS

Wood

LAMPING

Integrated LED strip 33W
1370 lumens
2700K
CRI > 91
TRIAC
50,000 lifetime hours

VOLTAGE

100 - 130 VAC (AC)

WEIGHT

14 lbs, 6.35 kg

CANOPY

330mm (13") diameter
51mm (2") depth
white RAL9003
Round

CABLE MEASURE

3m (10 ft) standard adjustable
Tinned copper coax + aircraft cable

CERTIFICATION



CUSTOM OPTIONS

Dimming support (technical documents available)

Please inquire for pricing and lead time.

STANDARD FINISHES

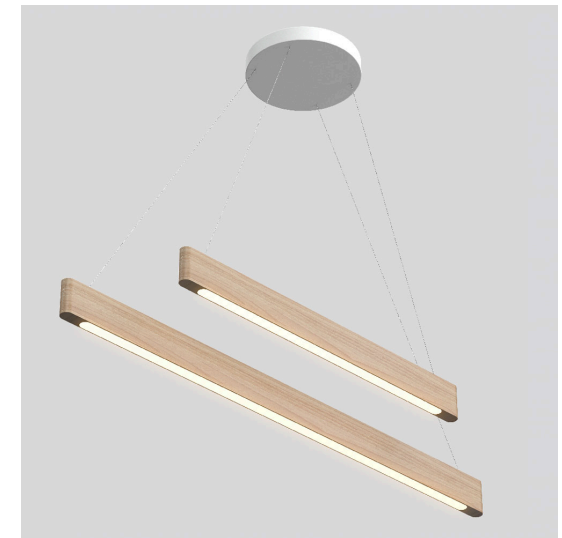
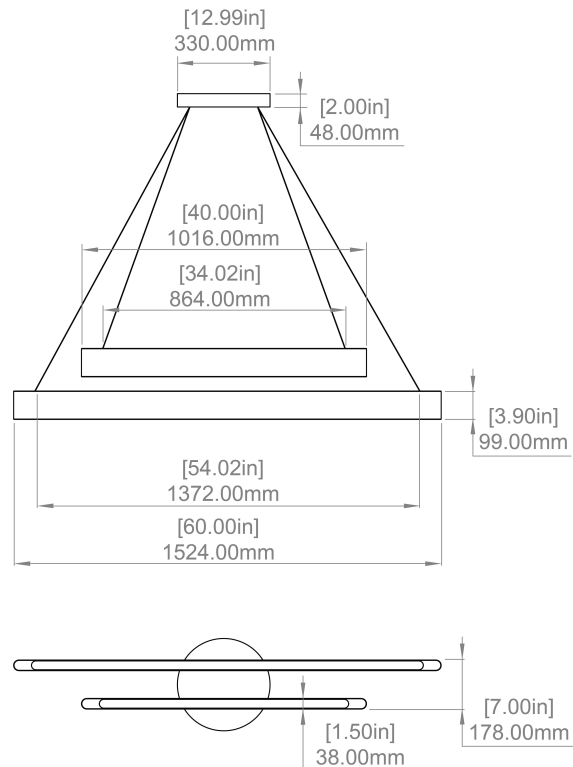


Image shown: Line Light 40 60 parallel in drift white oak.

LINE 60 40 60 PARALLEL

Distilled to its purest form, Line Lights are precision CNC milled and hand-finished to a fine plainness. Showcasing the wood's natural grain with a thoughtful consideration to proportion, Line Lights feel at home as both a standalone pendant or arranged into a number of striking compositions.

FINISH

Black Walnut
Drift White Oak
Black White Oak

SKU

LL604060.P3BWL
LL604060.P3DWOK
LL604060.P3BWOK

MATERIALS

Wood

LAMPING

Integrated LED strip 55W
2210 lumens
2700K
CRI > 91
TRIAC
50,000 lifetime hours

VOLTAGE

100 - 130 VAC (AC)

WEIGHT

24 lbs, 11 kg

CANOPY

330mm (13") diameter
51mm (2") depth
white RAL9003
Round

CABLE MEASURE

3m (10 ft) standard adjustable
Tinned copper coax + aircraft cable

CERTIFICATION



CUSTOM OPTIONS

Dimming support (technical documents available)

Please inquire for pricing and lead time.

STANDARD FINISHES

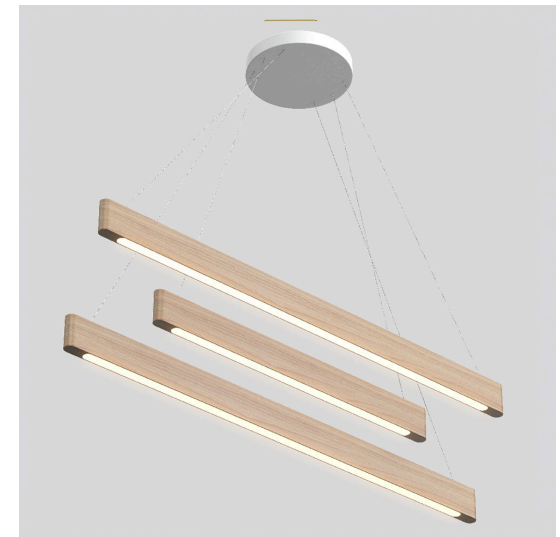
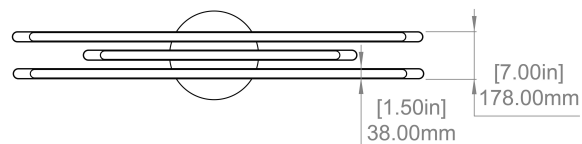
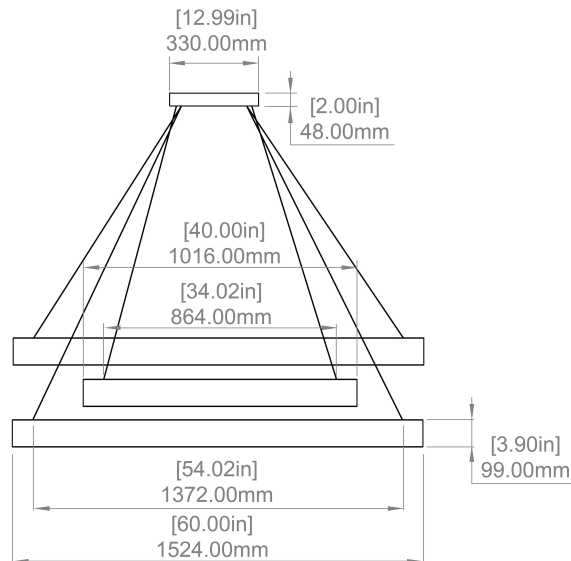


Image shown: Line Light 60 40 60 parallel in drift white oak.

LINE 60 40 60 CROSS

Distilled to its purest form, Line Lights are precision CNC milled and hand-finished to a fine plainness. Showcasing the wood's natural grain with a thoughtful consideration to proportion, Line Lights feel at home as both a standalone pendant or arranged into a number of striking compositions.

FINISH

Black Walnut
Drift White Oak
Black White Oak

SKU

LL604060.C3BWL
LL604060.C3DWOK
LL604060.C3BWOK

MATERIALS

Wood

LAMPING

Integrated LED strip 55W
2210 lumens
2700K
CRI > 91
TRIAC
50,000 lifetime hours

VOLTAGE

100 - 130 VAC (AC)

WEIGHT

24 lbs, 11 kg

CANOPY

330mm (13") diameter
51mm (2") depth
white RAL9003
Round

CABLE MEASURE

3m (10 ft) standard adjustable
Tinned copper coax + aircraft cable

CERTIFICATION



CUSTOM OPTIONS

Dimming support (technical documents available)

Please inquire for pricing and lead time.

STANDARD FINISHES

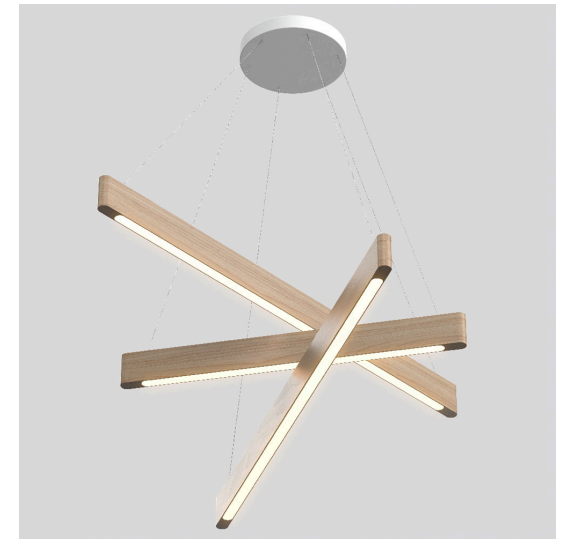
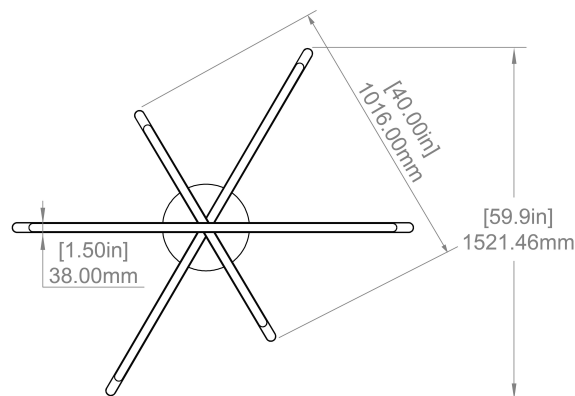
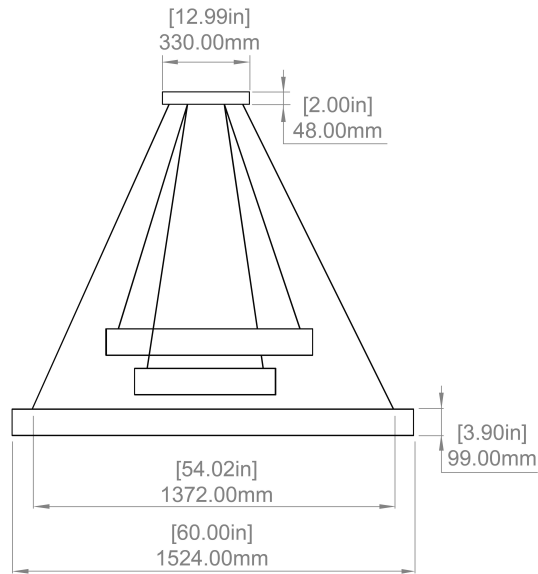


Image shown: Line Light 60 40 60 cross in drift white oak.

LINE 60 60 60 CROSS

Distilled to its purest form, Line Lights are precision CNC milled and hand-finished to a fine plainness. Showcasing the wood's natural grain with a thoughtful consideration to proportion, Line Lights feel at home as both a standalone pendant or arranged into a number of striking compositions.

FINISH

Black Walnut
Drift White Oak
Black White Oak

SKU

LL606060.C3BWL
LL606060.C3DWOK
LL606060.C3BWOK

MATERIALS

Wood

LAMPING

Integrated LED strip 63W
2530 lumens
2700K
CRI > 91
TRIAC
50,000 lifetime hours

VOLTAGE

100 - 130 VAC (AC)

WEIGHT

24 lbs, 11 kg

CANOPY

330mm (13") diameter
51mm (2") depth
white RAL9003
Round

CABLE MEASURE

3m (10 ft) standard adjustable
Tinned copper coax + aircraft cable

CERTIFICATION



CUSTOM OPTIONS

Dimming support (technical documents available)

Please inquire for pricing and lead time.

STANDARD FINISHES

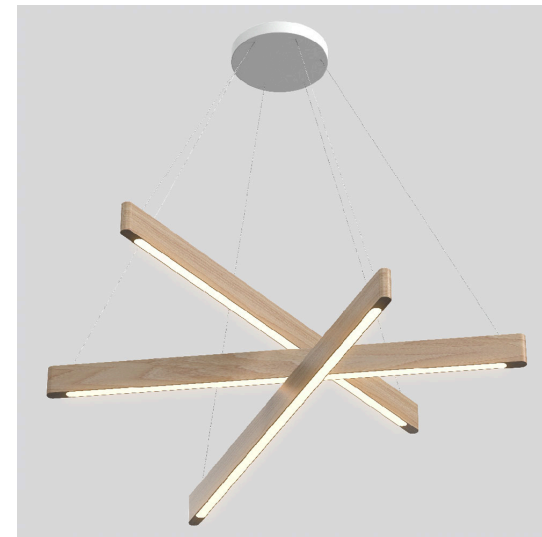
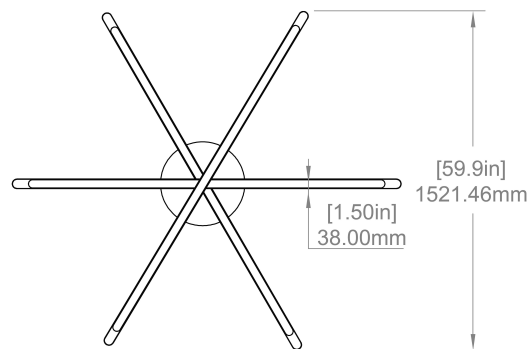
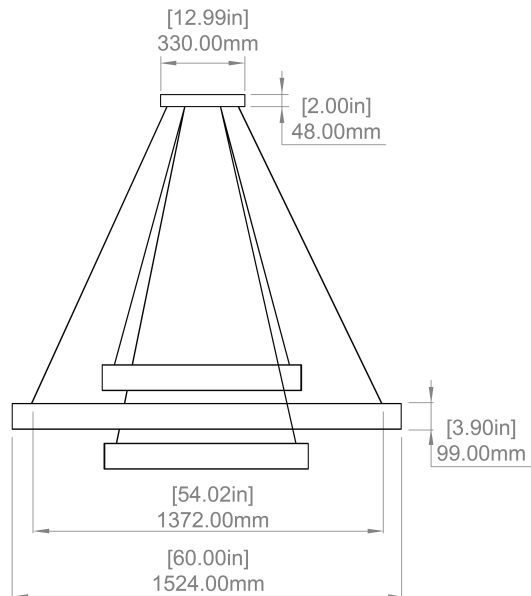


Image shown: Line Light 60 60 60 cross in drift white oak.