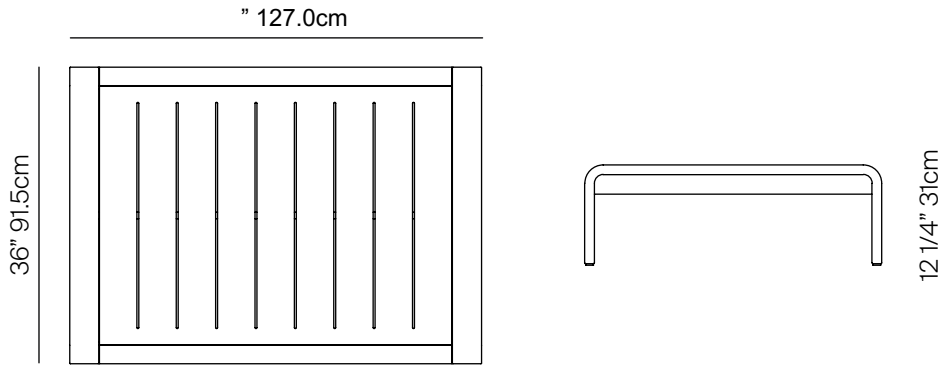


# BOND

by Claudio Bellini



## RECT. COFFEE TABLE 50"



### SPECIFICATIONS

Width:	50"	127 cm
Depth:	36"	91.5 cm
Height:	12 1/4"	31 cm

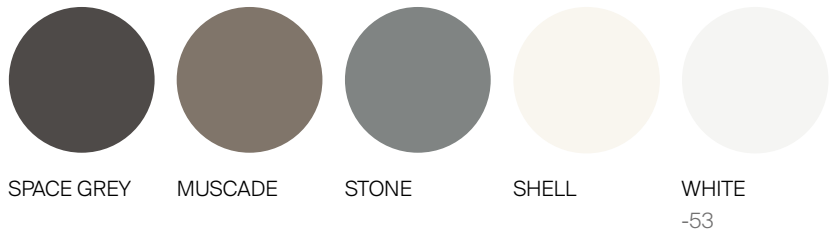
### MATERIALS

Frame: Powder coated aluminum

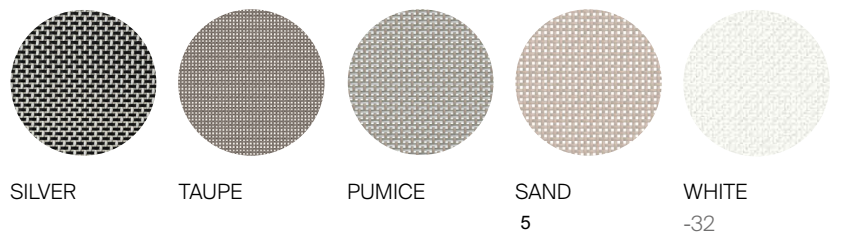
Accents: Batyline.

Furniture Cover Available.

### FINISHES



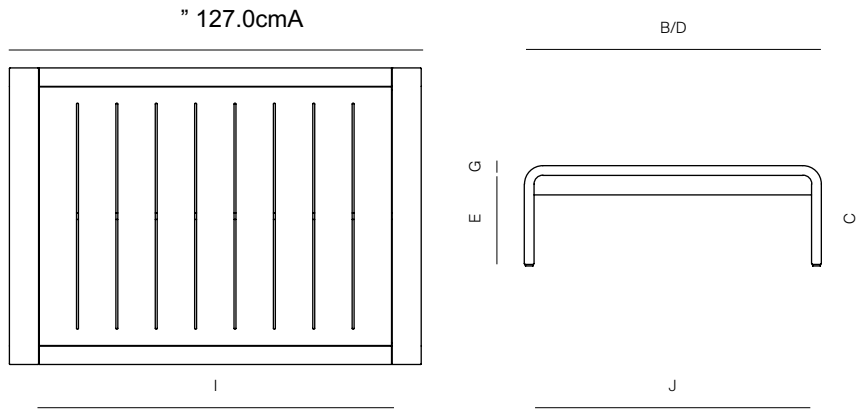
### ALUMINUM



### BATYLINE

# DANAO

RECT. COFFEE TABLE 50"



MEASURES INCH CM	OVERALL LENGTH	OVERALL WIDTH	OVERALL HEIGHT	SIZE OF BASE	FOOT HEIGHT	OVERGANG AT ENDS	TABLE TOP THICKNESS	APRON TO FLOOR CLEARANCE	SPACE BETWEEN LEGS AT HEAD	SPACE BETWEEN LEGS AT SIDE	SEAT UP TO (APROX. 20"W CHAIRS SPACED 2" APART)
DESCRIPTION	A	B	C	D	E	F	G	H	I	J	K
RECT. COFFEE TABLE 50"			1	50	9	-	1 1/2			12	-
SKU#			31	127	22.7	-	3				

MEASURES INCH CM	DIAGONAL	CLEARANCE	OVERALL FURNITURE WEIGHT LBS KGS	TOTAL PIECES IN A BOX	BOXED WEIGHT LBS KGS	CBM
DESCRIPTION	L					
RECT. COFFEE TABLE 50"						64
SKU#				1	25	