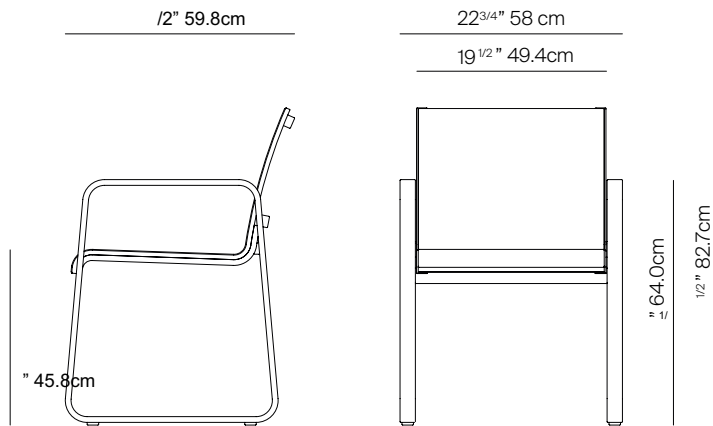


BOND

by Claudio Bellini



DINING ARMCHAIR



SPECIFICATIONS

Width:	22 3/4"	58 cm
Depth:	23 1/2"	59.8 cm
Height:	32 1/2"	82 cm
Seat height:	18"	45.6 cm

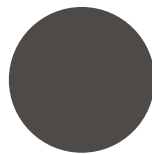
MATERIALS

Frame: Powder coated aluminum

Accents: Batyline.

Furniture Cover Available.

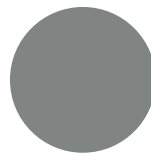
FINISHES



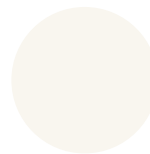
SPACE GREY



MUSCADE



STONE

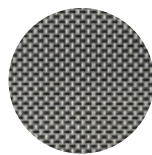


SHELL

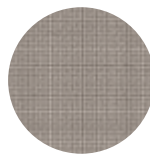


WHITE
-53

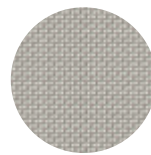
ALUMINUM



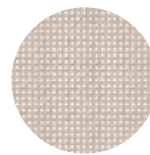
SILVER



TAUPE



PUMICE



SAND
5

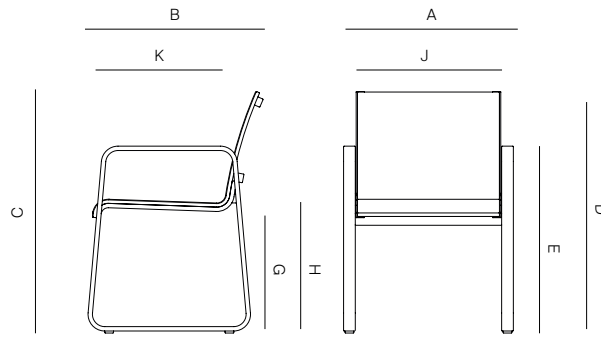


WHITE
-32

BATYLINE

DANAO

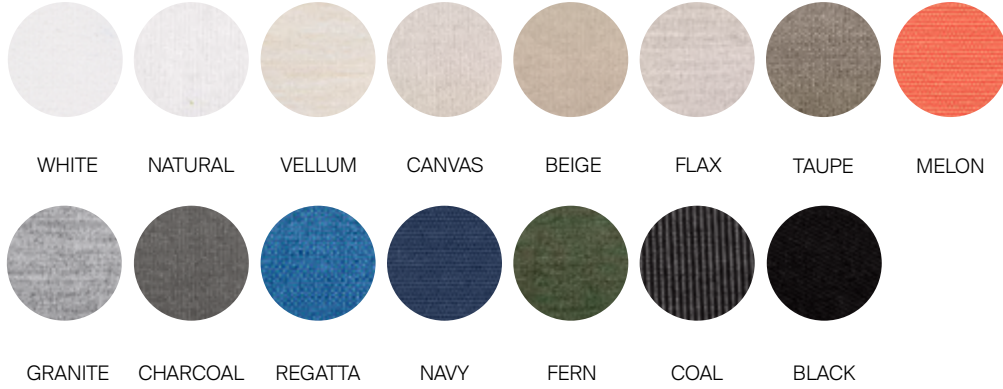
DINING ARMCHAIR



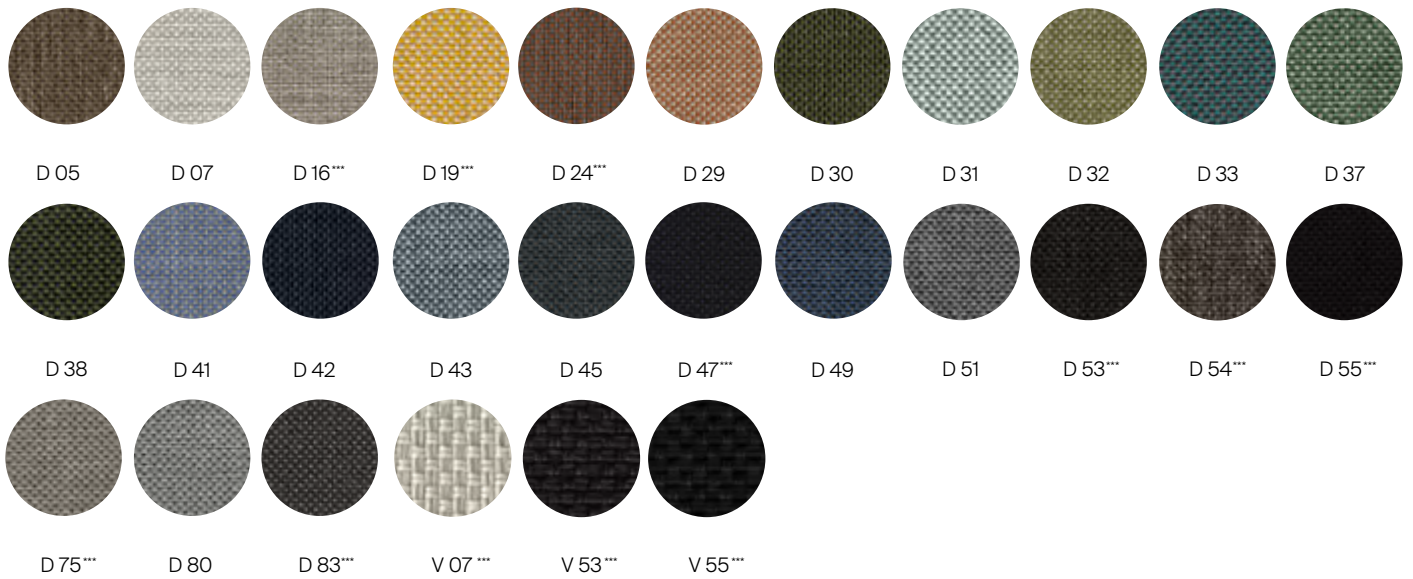
MEASURES INCH CM	OVERALL WIDTH	OVERALL DEPTH	OVERALL HEIGHT WITH CUSHIONS	OVERALL FRAME HEIGHT	ARM HEIGHT	ARM WIDTH	FOOT HEIGHT	SEAT HEIGHT WITH CUSHIONS	SEAT HEIGHT (FLOOR TO FRAME)	INSIDE SEAT WIDTH	INSIDE SEAT DEPTH
DESCRIPTION	A	B	C	D	E	F	G	H	I	J	K
DINING ARMCHAIR	22 3/4	23 1/2	32 1/2	32 1/2	25 1/4	1/2	14 1/4			12	17 1/2
SKU#											2

MEASURES INCH CM	# OF BACK CUSHIONS	# OF SEAT CUSHIONS	COM CUSHIONS YARDS METERS	DIAGONAL CLEARANCE	FURNITURE WEIGHT LBS KGS	TOTAL PIECES IN A BOX	BOXED WEIGHT LBS KGS	CUBE
DESCRIPTION	L							
DINING ARMCHAIR				1	11	2	38	21.9
SKU#					5	2	13	

_Grade A Fabric:



_Grade B Fabric:



*** Quick ship fabrics