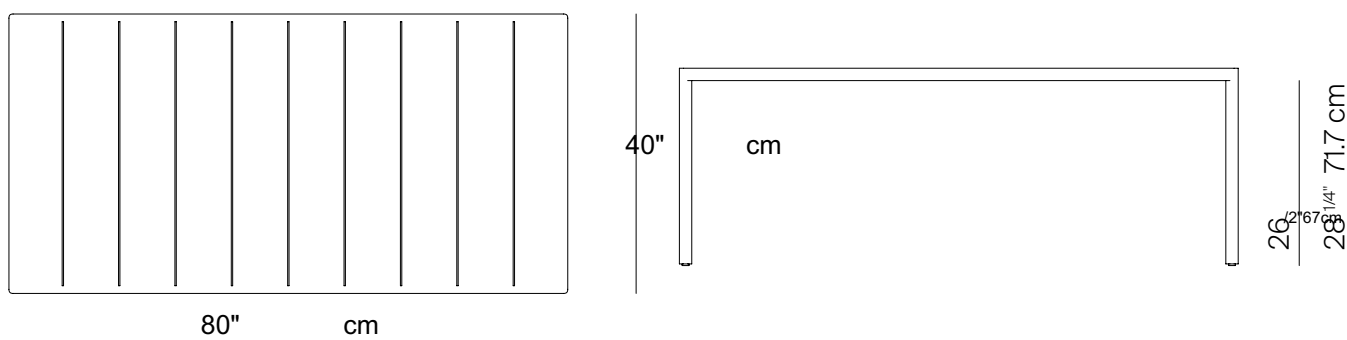


GREENWICH

by Mario Ruiz



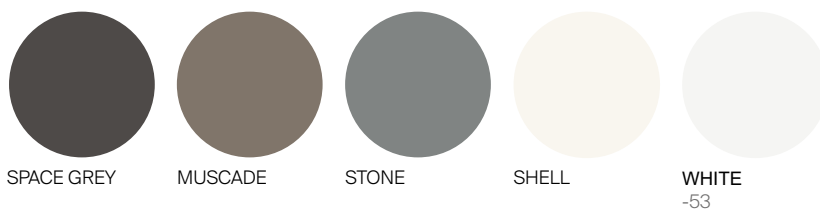
RECTANGULAR DINING TABLE 80"



SPECIFICATIONS

Width: 80" cm
Depth: 40" cm
Height: 28 1/4" 71.7 cm
Seat: 6

FINISHES



SPACE GREY

MUSCADE

STONE

SHELL

WHITE
-53

ALUMINUM

MATERIALS

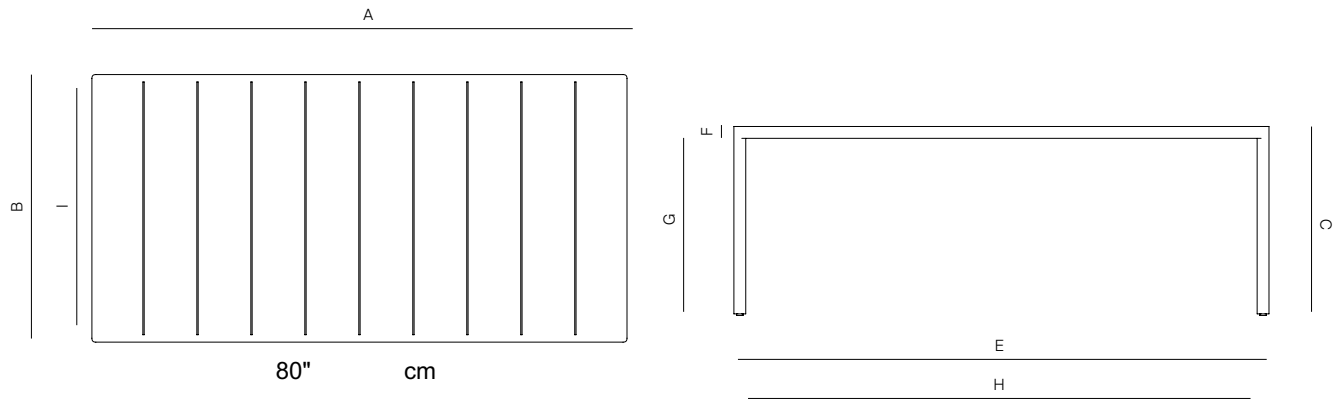
Frame: Powder coated aluminum.

Furniture Cover Available.

MOQ APPLIED ON CERTAIN FINISHES

DANAO

RECTANGULAR DINING TABLE 80"



MEASURES INCH CM	OVERALL LENGTH A	OVERALL WIDTH B	OVERALL HEIGHT C	DIAMETER D	SIZE OF BASE E	TABLE TOP THICKNESS F	APRON TO FLOOR CLEARANCE G	SPACE BETWEEN LEGS AT HEAD H	SPACE BETWEEN LEGS AT SIDE I
DESCRIPTION	A	B	C	D	E	F	G	H	I
RECTANGULAR DINING TABLE 80"			/	-	80	13/4	26 1/2	76 1/2	36 1/2
SKU#		1.6							92.6

MEASURES INCH CM	SEAT UP TO	DIAGONAL CLEARANCE J	OVERALL FURNITURE WEIGHT LBS KGS	TOTAL PIECES IN A BOX	BOXED WEIGHT LBS KGS	CBM
DESCRIPTION		J				
RECTANGULAR DINING TABLE 80"						5
SKU#				1	44	

MOQ APPLIED ON CERTAIN FINISHES