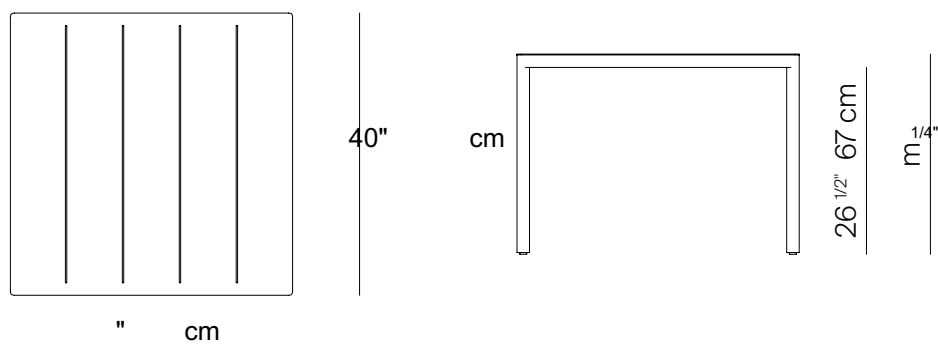


GREENWICH

by Mario Ruiz



SQUARE DINING TABLE 40"



SPECIFICATIONS

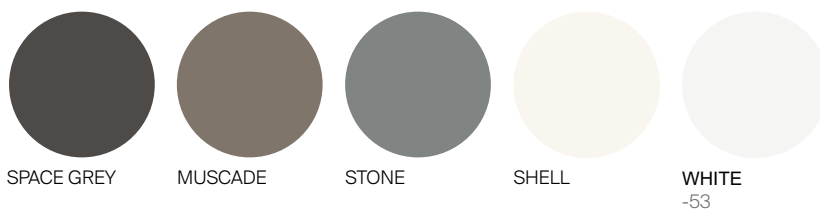
Width:	40"	cm
Depth:	40"	cm
Height:	28 1/4"	71.7 cm
Seat:	4	

MATERIALS

Frame: Powder coated aluminum.

Furniture Cover Available.

FINISHES

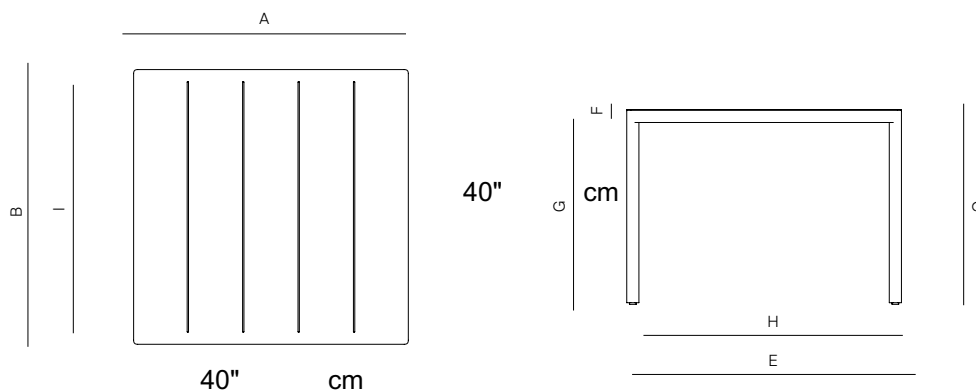


ALUMINUM

MOQ APPLIED ON CERTAIN FINISHES

DANAO

SQUARE DINING TABLE 40"



MEASURES INCH CM	OVERALL LENGTH	OVERALL WIDTH	OVERALL HEIGHT	DIAMETER	SIZE OF BASE	TABLE TOP THICKNESS	APRON TO FLOOR CLEARANCE	SPACE BETWEEN LEGS AT HEAD	SPACE BETWEEN LEGS AT SIDE
DESCRIPTION	A	B	C	D	E	F	G	H	I
SQUARE DINING TABLE			/	-	40	1.75	26.5		
SKU#		1.6							2.6

MEASURES INCH CM	SEAT UP TO	DIAGONAL CLEARANCE	OVERALL FURNITURE WEIGHT LBS KGS	TOTAL PIECES IN A BOX	BOXED WEIGHT LBS KGS	CBM
DESCRIPTION	J					
SQUARE DINING TABLE						
SKU#				1	30	

MOQ APPLIED ON CERTAIN FINISHES