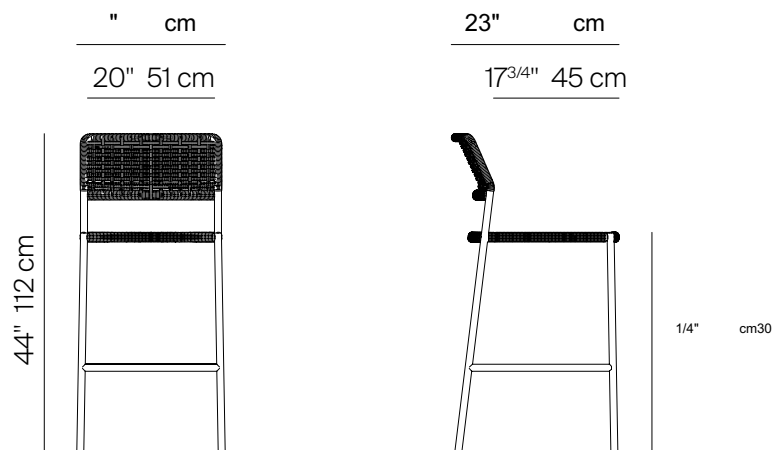


THOMPSON

by Mario Ruiz



BAR STOOL



SPECIFICATIONS

Width:	21"	53.2
Depth:	23"	58.5 cm
Height:	44"	112 cm
Seat height:	30 1/4"	76.8 cm
Seat height *with optional cushion:	33"	83.8 cm
COM:	11/2 yds	

MATERIALS

Frame: Powder coated aluminum.

Accents: Premium grade teak wood and rope.

Cushion foam: Made of HR (high resiliency) foam with Dacron wrap incased in a nonwoven UV stabilized waterproof sonic welded fabric.

Cushion fabric: COM/Outdoor Grade A / Grade B

Fabric options.

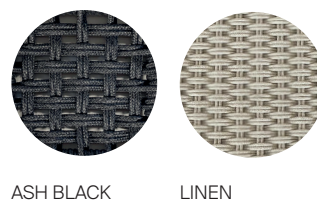
Furniture Cover Available.

THROW PILLOWS SOLD SEPARATELY

FINISHES



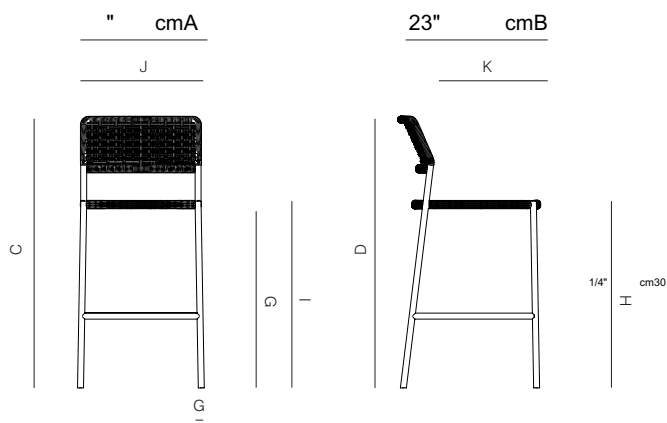
ALUMINUM



ROPE

DANAO

BAR STOOL



MEASURES INCH CM	OVERALL WIDTH A	OVERALL DEPTH B	OVERALL HEIGHT WITH CUSHIONS C	OVERALL FRAME HEIGHT D	ARM HEIGHT E	ARM WIDTH F	FOOT HEIGHT G	SEAT HEIGHT WITH CUSHIONS H	SEAT HEIGHT (FLOOR TO FRAME) I	INSIDE SEAT WIDTH J	INSIDE SEAT DEPTH K
DESCRIPTION											
BAR STOOL						-	12 1/4	30 1/4	30 1/		
SKU#			112	112	-	-					53.3

MEASURES INCH CM	# OF SEAT CUSHIONS	COM CUSHIONS YARDS METERS	DIAGONAL CLEARANCE L	FURNITURE WEIGHT LBS KGS	TOTAL PIECES IN A BOX	BOXED WEIGHT LBS KGS	CUBE
DESCRIPTION							
BAR STOOL		/2	50 1/				
SKU#							

TRHOW PILLOWS SOLD SEPARATELY