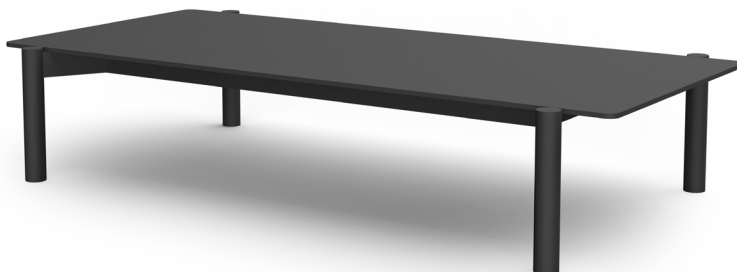
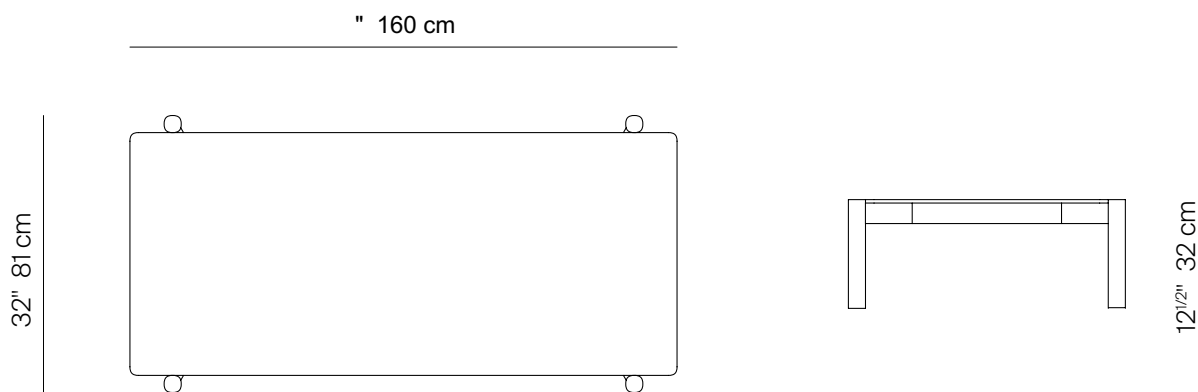


HUDSON

by Ramón Esteve



RECTANGULAR COFFEE TABLE LARGE 63"



SPECIFICATIONS

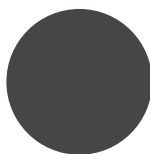
Width:	63"	160 cm
Depth:	32"	81 cm
Height:	12 1/2"	32 cm

MATERIALS

Frame: Powder coated aluminum.

Furniture cover available.

FINISHES



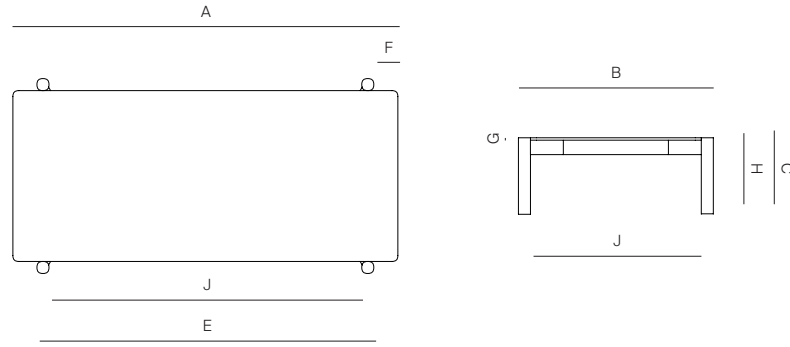
SPACE GREY
-52

ALUMINUM

THROW PILLOWS SOLD SEPARATELY

DANAO

RECTANGULAR COFFEE TABLE LARGE 63"



MEASURES INCH CM	OVERALL LENGTH	OVERALL WIDTH	OVERALL HEIGHT	DIAMETER	SIZE OF BASE	OVERHANG AT ENDS	TABLE TOP THICKNESS	APRON TO FLOOR CLEARANCE	SPACE BETWEEN LEGS AT HEAD	SPACE BETWEEN LEGS AT SIDE
DESCRIPTION	A	B	C	D	E	F	G	H	I	J
RECTANGULAR COFFEE TABLE LARGE 63" SKU#			/	-	55	4	1/4	9 3/4	33 1/2	51 1/4

MEASURES INCH CM	SEAT UP TO (APROX. 20"W CHAIRS SPACED 2" APART)	DIAGONAL CLEARANCE	OVERALL FURNITURE WEIGHT LBS KGS	TOTAL PIECES IN A BOX	BOXED WEIGHT LBS KGS	CUBE
DESCRIPTION	K					
RECTANGULAR COFFEE TABLE LARGE 63" SKU#	/		44	1	61	20.5