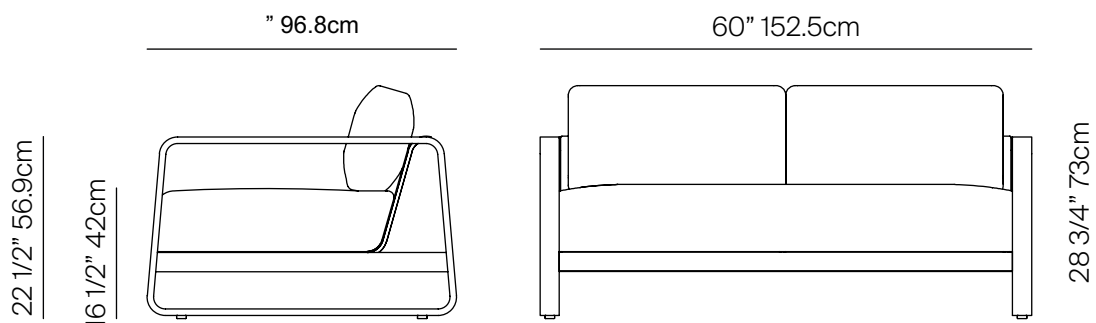


BOND

by Claudio Bellini



2 SEATER SOFA 60"



SPECIFICATIONS

Width:		cm
Depth:	37"	94 cm
Height:	28 3/4"	73 cm
Seat height:	16 1/2"	42 cm

MATERIALS

Frame: Powder coated aluminum

Accents: Batyline.

Cushion Foam: Made of HR (high resiliency) foam with Dacron wrap incased in a nonwoven UV stabilized waterproof sonic welded fabric.

Cushion Fabric: COM/ Outdoor Canvas Grade A / Grade B Fabric options.

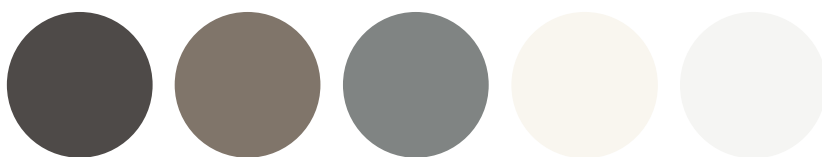
(Reference Fabric Specification Sheet)

Throw Pillows available, sold separately

Seat cushion available, sold separately.

Polyfill Furniture cover available

FINISHES



SPACE GREY

MUSCADE

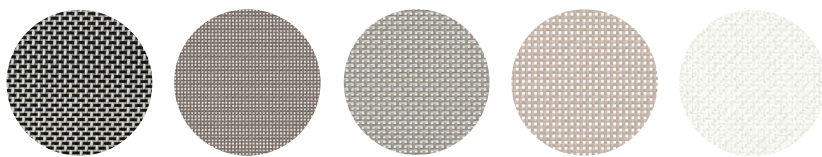
STONE

SHELL

WHITE

-53

ALUMINUM



SILVER

TAUPE

PUMICE

SAND

WHITE

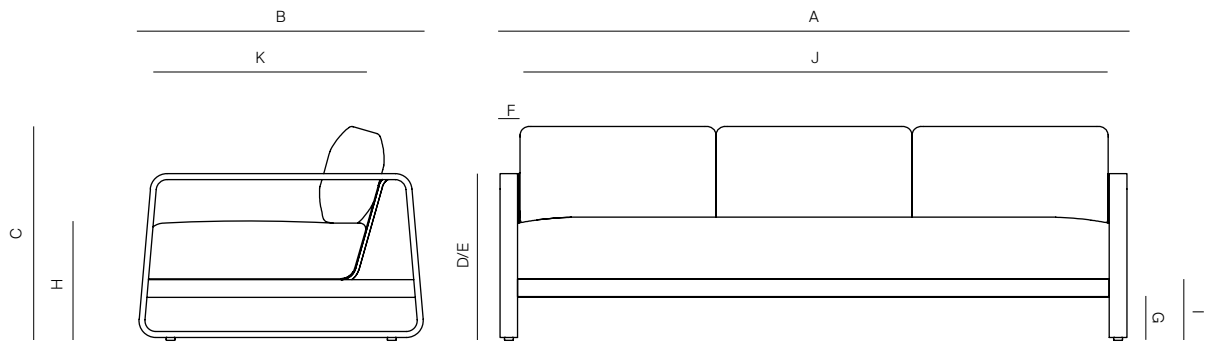
-32

BATYLINE

THROW PILLOWS SOLD SEPARATELY

DANAO

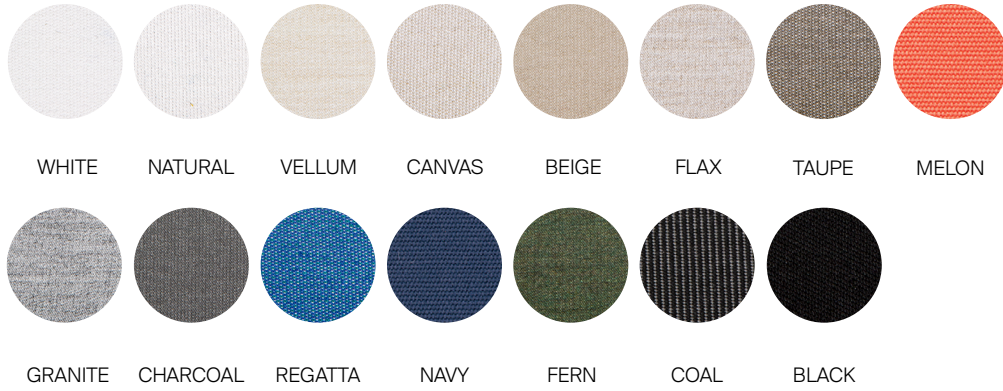
2 SEATER SOFA 60"



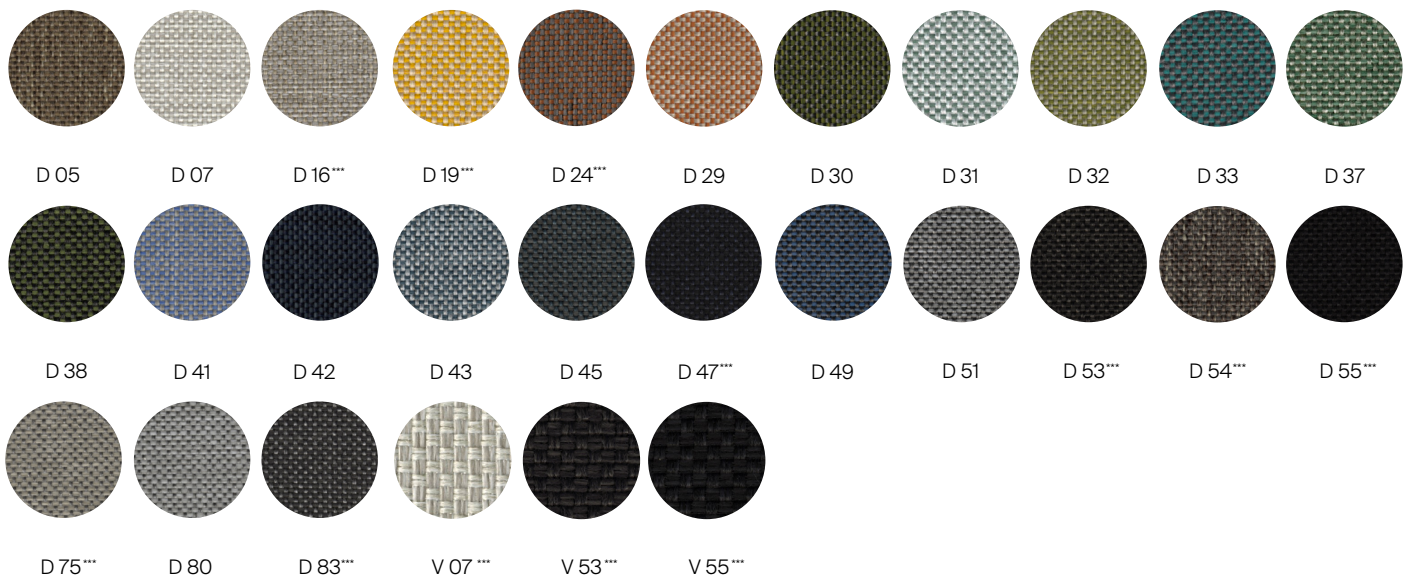
MEASURES INCH CM	OVERALL WIDTH	OVERALL DEPTH	OVERALL HEIGHT WITH CUSHIONS	OVERALL FRAME HEIGHT	ARM HEIGHT	ARM WIDTH	FOOT HEIGHT	SEAT HEIGHT WITH CUSHIONS	SEAT HEIGHT (FLOOR TO FRAME)	INSIDE SEAT WIDTH	INSIDE SEAT DEPTH
DESCRIPTION	A	B	C	D	E	F	G	H	I	J	K
2 SEATER SOFA 60"			14			2 1/2		12	8 1/4	55 1/4	27 1/2
SKU#			73	56.9	56.9	6					70.1

MEASURES INCH CM	# OF BACK CUSHIONS	# OF SEAT CUSHIONS	COM CUSHIONS YARDS METERS	DIAGONAL CLEARANCE	FURNITURE WEIGHT LBS KGS	TOTAL PIECES IN A BOX	BOXED WEIGHT LBS KGS	CUBE
DESCRIPTION	L							
2 SEATER SOFA 60"				1	58	1	110	37.5
SKU#				2		1		

_Grade A Fabric:



_Grade B Fabric:



*** Quick ship fabrics