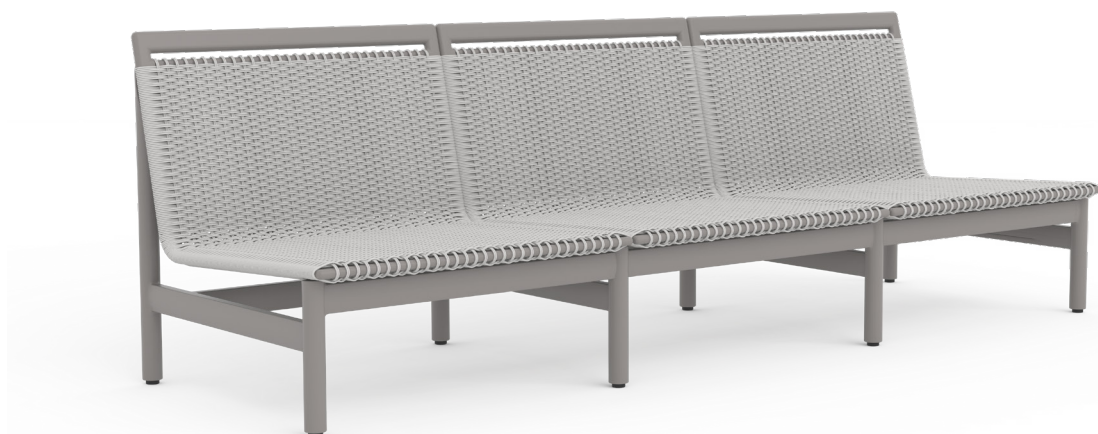
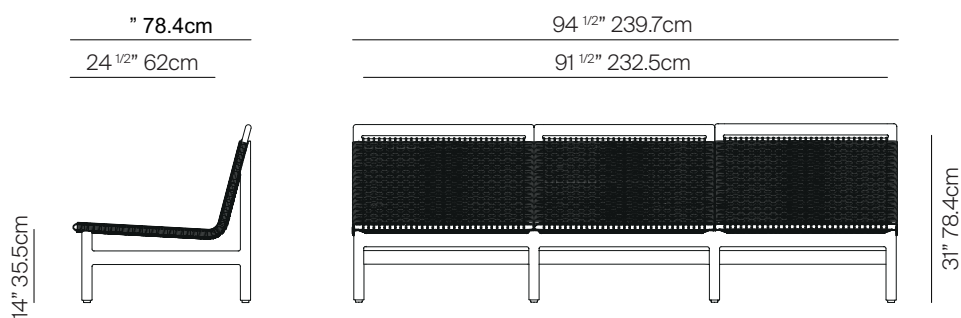


MONTAUK

by Mario Ruiz



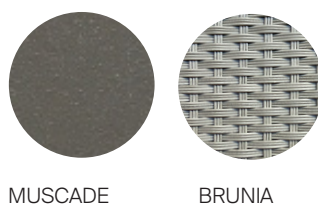
3 SEATER SOFA ARMLESS ALUMINIUM



SPECIFICATIONS

Width:	94 1/2"	cm
Depth:	31"	78.4 cm
Height:	31"	78.4 cm
Seat height:	14"	35.5 cm
Seat height *with optional cushion:	17"	43.3 cm
COM *for optional cushion:	10 yds	

FINISHES



MUSCADE

BRUNIA

ALUMINIUM

WEAVE

MATERIALS

Frame: Powder coated aluminum frame.

Weave: Synthetic all-weather weave.

Cushion foam: Made of HR (high resiliency) foam with Dacron wrap incased in a nonwoven UV stabilized waterproof sonic welded fabric.

Cushion fabric: COM/Outdoor Grade A / Grade B

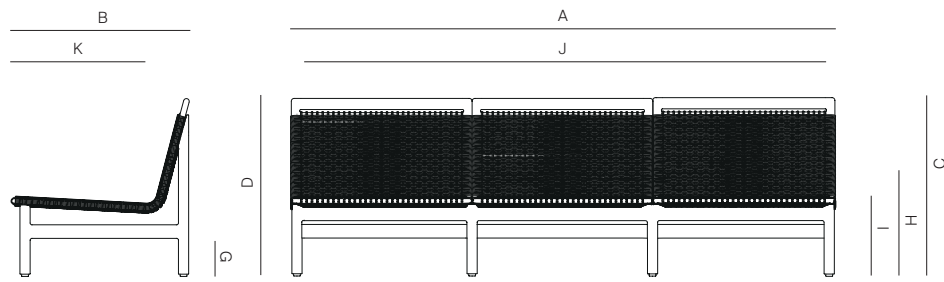
Fabric options.

Furniture cover available

TRHROW PILLOWS SOLD SEPARATELY

DANAO

3 SEATER SOFA ARMLESS ALUMINIUM



MEASURES INCH CM	OVERALL WIDTH	OVERALL DEPTH	OVERALL HEIGHT WITH CUSHIONS	OVERALL FRAME HEIGHT	ARM HEIGHT	ARM WIDTH	FOOT HEIGHT	SEAT HEIGHT WITH CUSHIONS	FRAME SEAT HEIGHT (FLOOR TO FRAME)	INSIDE SEAT WIDTH	INSIDE SEAT DEPTH
DESCRIPTION	A	B	C	D	E	F	G	H	I	J	K
3 SEATER SOFA ARMLESS ALUMINIUM	94 1/2						17	17	14	91 1/2	24 1/2
SKU#											

MEASURES INCH CM	# OF BACK CUSHIONS	# OF SEAT CUSHIONS	COM YARDS METERS	DIAGONAL CLEARANCE	FURNITURE WEIGHT LBS KGS	TOTAL PIECES IN A BOX	BOXED WEIGHT LBS KGS	CUBE
DESCRIPTION	L							
3 SEATER SOFA ARMLESS ALUMINIUM				/	30	1	54	67.20
SKU#							9.05	

TRHAW PILLOWS SOLD SEPARATELY