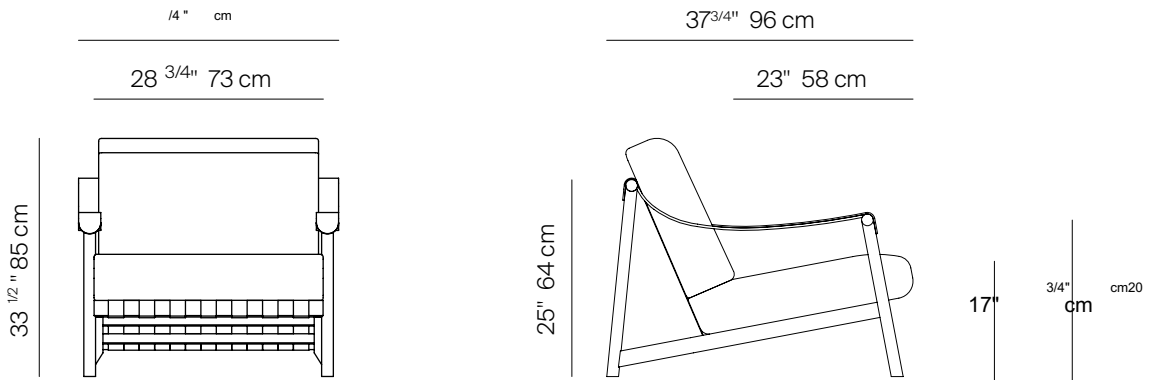


HUDSON

by Ramón Esteve



LOUNGE CHAIR



SPECIFICATIONS

Width:	33 1/4"	cm
Depth:	37 3/4"	96 cm
Height:	33 1/2"	85 cm
Seat height:	17"	43.2 cm

COM: 3 1/2 yds
*COM based on 54" wide no repeat fabric.

MATERIALS

Frame: Powder coated aluminum.
Accents: Italian strap and synthetic all weather faux leather.
Cushion Foam: Made of HR (high resiliency) foam with Dacron wrap incased in a nonwoven UV stabilized waterproof sonic welded fabric.
Cushion Fabric: COM/ Outdoor Canvas Grade A / Grade B Fabric options.
(Reference Fabric Specification Sheet)
Throw Pillows Available: Outdoor Polyfill.
Furniture Cover Available.

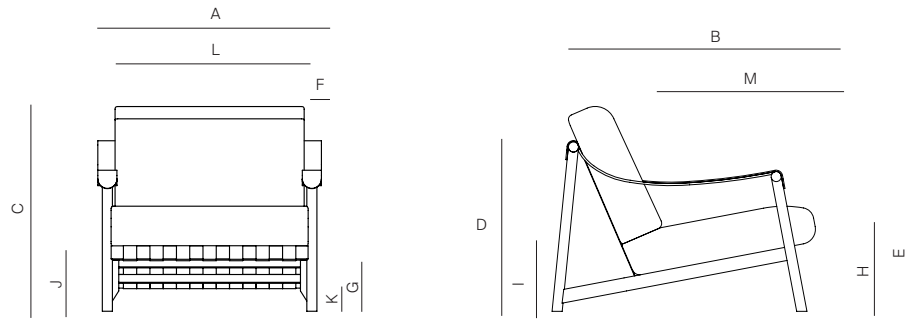
THROW PILLOWS SOLD SEPARATELY

FINISHES



DANAO

LOUNGE CHAIR



MEASURES INCH CM	OVERALL WIDTH	OVERALL DEPTH	OVERALL HEIGHT WITH CUSHIONS	OVERALL FRAME HEIGHT	ARM HEIGHT	ARM WIDTH	FOOT HEIGHT	SEAT HEIGHT WITH CUSHIONS FRONT	SEAT HEIGHT WITH CUSHIONS BACK	FRAME SEAT HEIGHT (FLOOR TO FRAME) FRONT	FRAME SEAT HEIGHT (FLOOR TO FRAME) BACK	INSIDE SEAT WIDTH	INSIDE SEAT DEPTH
DESCRIPTION	A	B	C	D	E	F	G	H	I	J	K	L	M
LOUNGE CHAIR	33 1/4	37 3/4	33 1/2		14	2 3/4	7 1/2		14	9 1/2	5 1/4	28 3/4	23
SKU#							19.2	43.2	2				58.4

MEASURES INCH CM	# OF BACK CUSHIONS	# OF SEAT CUSHIONS	COM CUSHIONS YARDS METERS	DIAGONAL CLEARANCE	FURNITURE WEIGHT LBS KGS	TOTAL PIECES IN A BOX	BOXED WEIGHT LBS KGS	CUBE
DESCRIPTION	N							
LOUNGE CHAIR			1/2					3 1/2
SKU#								

TRHOW PILLOWS SOLD SEPARATELY