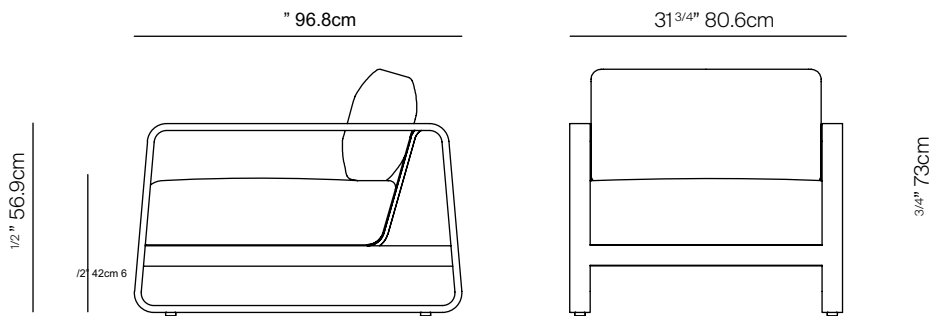


BOND

by Claudio Bellini



LOUNGE CHAIR



SPECIFICATIONS

Width:	31 3/4"	80.6 cm
Depth:	37"	94 cm
Height:	28 3/4"	73 cm
Seat height:	16 1/2"	42 cm

MATERIALS

Frame: Powder coated aluminum

Accents: Batyline.

Cushion Foam: Made of HR (high resiliency) foam with Dacron wrap incased in a nonwoven UV stabilized waterproof sonic welded fabric.

Cushion Fabric: COM/ Outdoor Canvas Grade A / Grade B Fabric options.

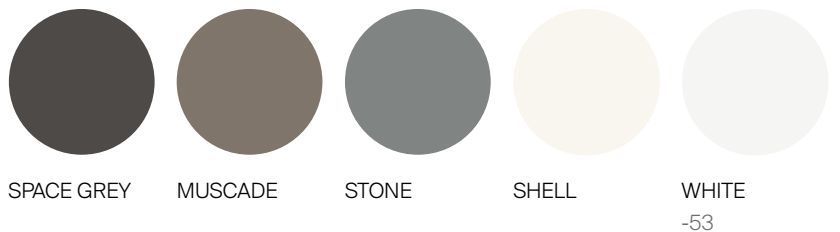
(Reference Fabric Specification Sheet)

Throw Pillows available, sold separately

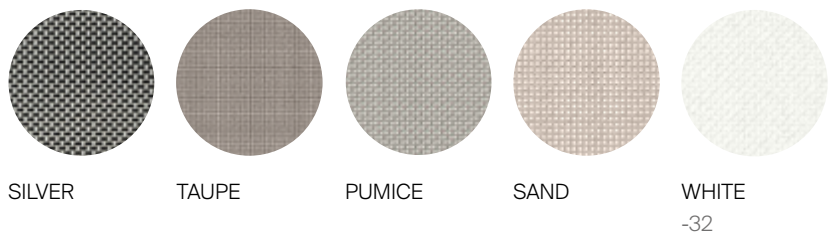
Seat cushion available, sold separately.

Polyfill Furniture cover available

FINISHES



ALUMINUM

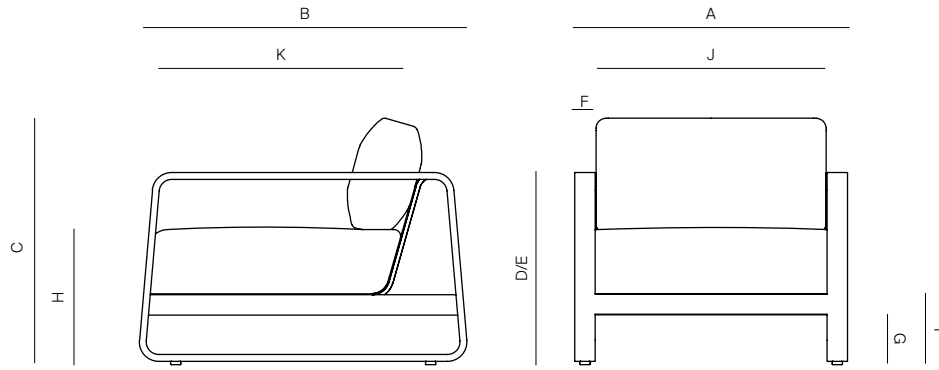


BATYLINE

THROW PILLOWS SOLD SEPARATELY

DANAO

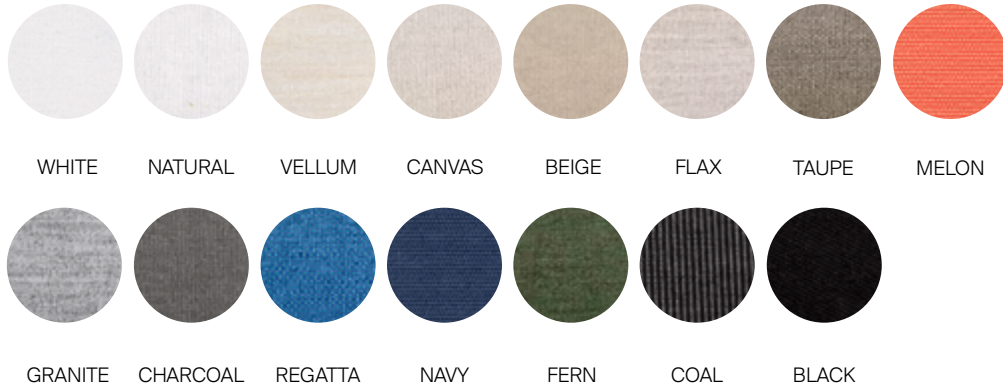
LOUNGE CHAIR



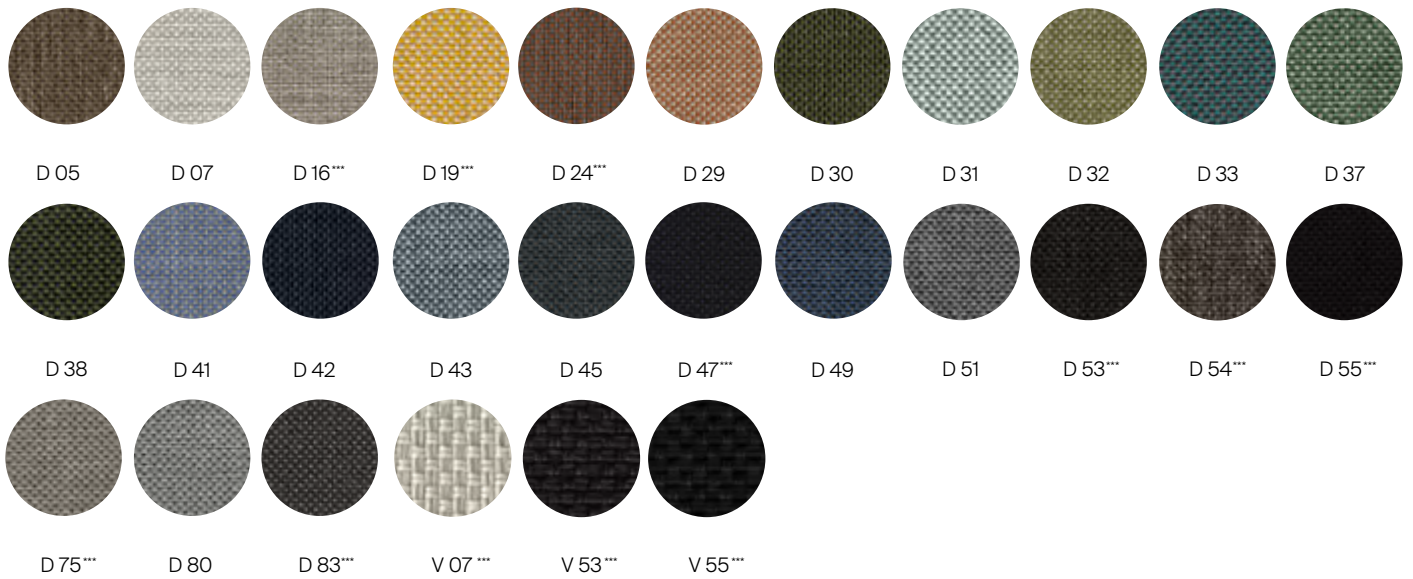
MEASURES INCH CM	OVERALL WIDTH	OVERALL DEPTH	OVERALL HEIGHT WITH CUSHIONS	OVERALL FRAME HEIGHT	ARM HEIGHT	ARM WIDTH	FOOT HEIGHT	SEAT HEIGHT WITH CUSHIONS	SEAT HEIGHT (FLOOR TO FRAME)	INSIDE SEAT WIDTH	INSIDE SEAT DEPTH
DESCRIPTION	A	B	C	D	E	F	G	H	I	J	K
LOUNGE CHAIR	31 3/4		14	22 1/2	22 1/2	2 1/4		12	8 1/2		12
SKU#										6.	

MEASURES INCH CM	# OF BACK CUSHIONS	# OF SEAT CUSHIONS	COM CUSHIONS YARDS METERS	DIAGONAL CLEARANCE	FURNITURE WEIGHT LBS KGS	TOTAL PIECES IN A BOX	BOXED WEIGHT LBS KGS	CUBE
DESCRIPTION	L							
LOUNGE CHAIR				1	29	1	80	26.6
SKU#					13	1	37	

_Grade A Fabric:



_Grade B Fabric:



*** Quick ship fabrics