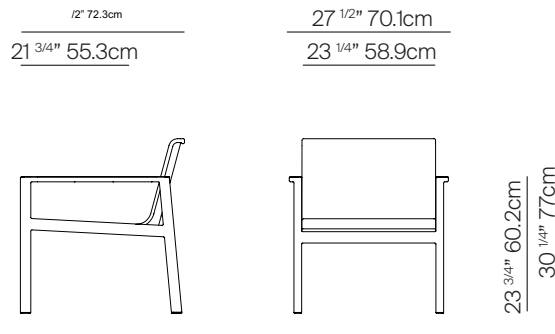


# CHELSEA

by Mario Ruiz



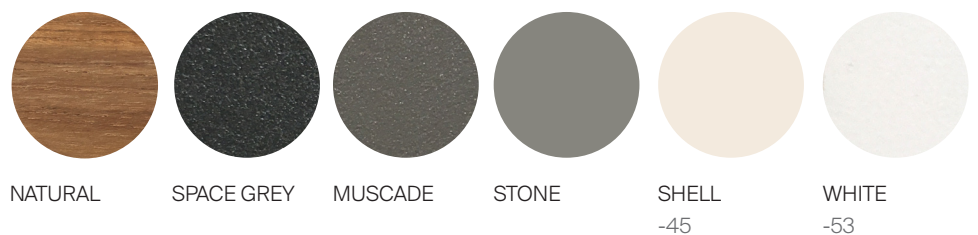
## LOUNGE CHAIR



## SPECIFICATIONS

Width:	27 1/2"	70.1 cm
Depth:	28 1/2"	72.3 cm
Height:	30 1/4"	77 cm
Seat height:	16 1/2"	41.6 cm
Seat height *with optional cushion:	19"	48.2 cm
COM *with optional cushion	3 yds	

## FINISHES



## MATERIALS

Frame: Powder coated aluminum.

Accents: Batyline.

Cushion foam: Made of HR (high resiliency) foam with Dacron wrap incased in a nonwoven

UV stabilized waterproof sonic welded fabric.

Cushion fabric: COM/Outdoor Grade A / Grade B

Fabric options.

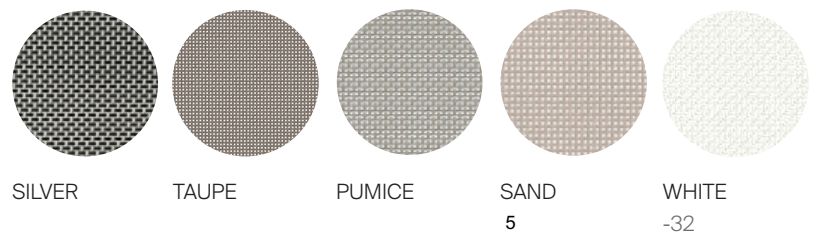
Furniture cover available

TRHOW PILLOWS SOLD SEPARATELY

## TEAK

## ALUMINUM

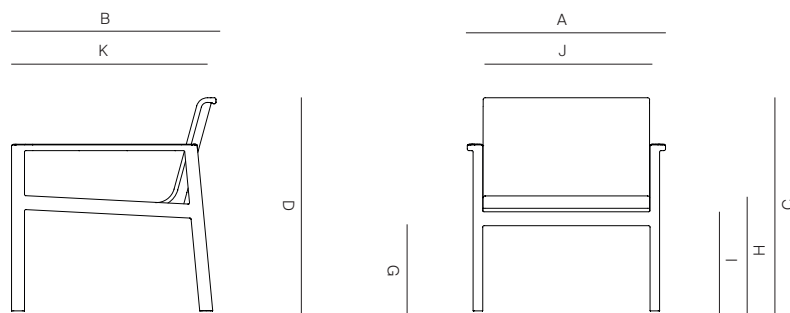
## MOQ APPLIED ON CERTAIN FINISHES



## BATYLINE

# DANAO

LOUNGE CHAIR



MEASURES INCH CM	OVERALL WIDTH	OVERALL DEPTH	OVERALL HEIGHT WITH CUSHIONS	OVERALL FRAME HEIGHT	ARM HEIGHT	ARM WIDTH	FOOT HEIGHT	SEAT HEIGHT WITH CUSHIONS	FRAME SEAT HEIGHT (FLOOR TO FRAME)	INSIDE SEAT WIDTH	INSIDE SEAT DEPTH
DESCRIPTION	A	B	C	D	E	F	G	H	I	J	K
LOUNGE CHAIR	27 1/2	8 1/4		4	23 3/4	2 1/4	12 1/2		4	23 1/4	21 3/4
SKU#											55.3

MEASURES INCH CM	# OF BACK CUSHIONS	# OF SEAT CUSHIONS	COM YARDS METERS	DIAGONAL CLEARANCE	FURNITURE WEIGHT LBS KGS	TOTAL PIECES IN A BOX	BOXED WEIGHT LBS KGS	CUBE
DESCRIPTION	L							
LOUNGE CHAIR				/	23.46	1	42.42	18.9
SKU#				92.6	10.64	1		

TRH OW PILLOWS SOLD SEPARATELY